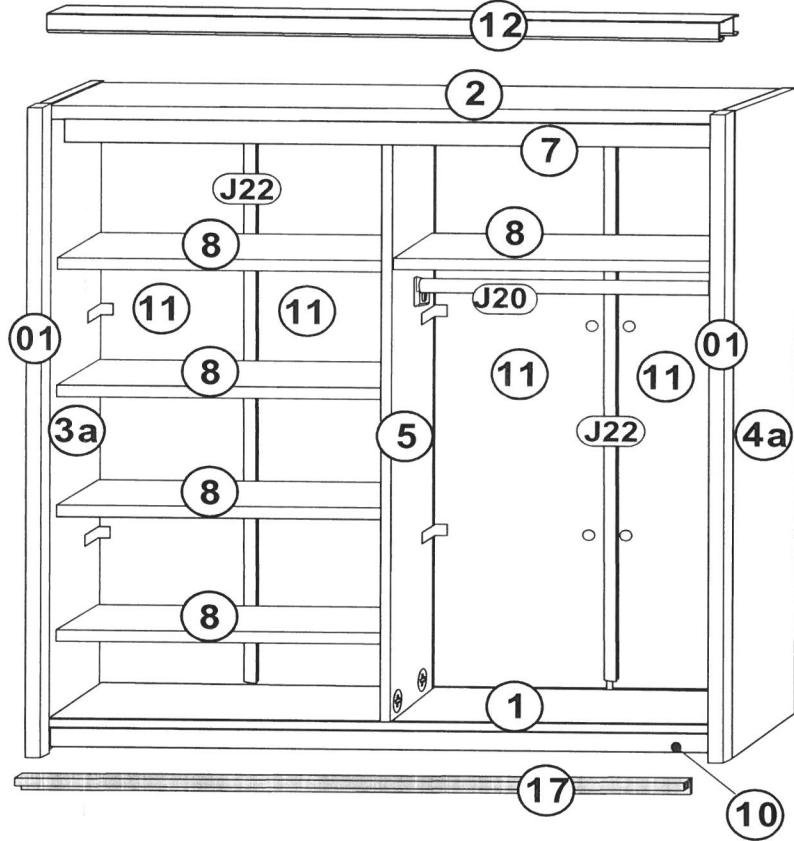
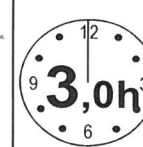
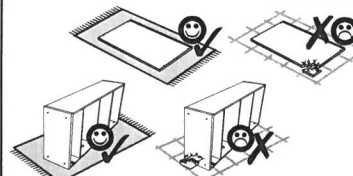
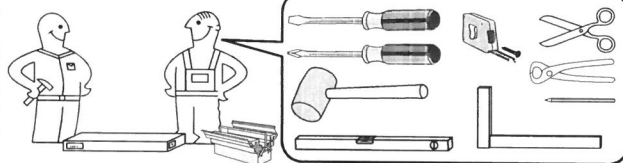
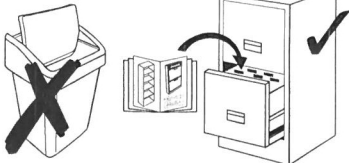
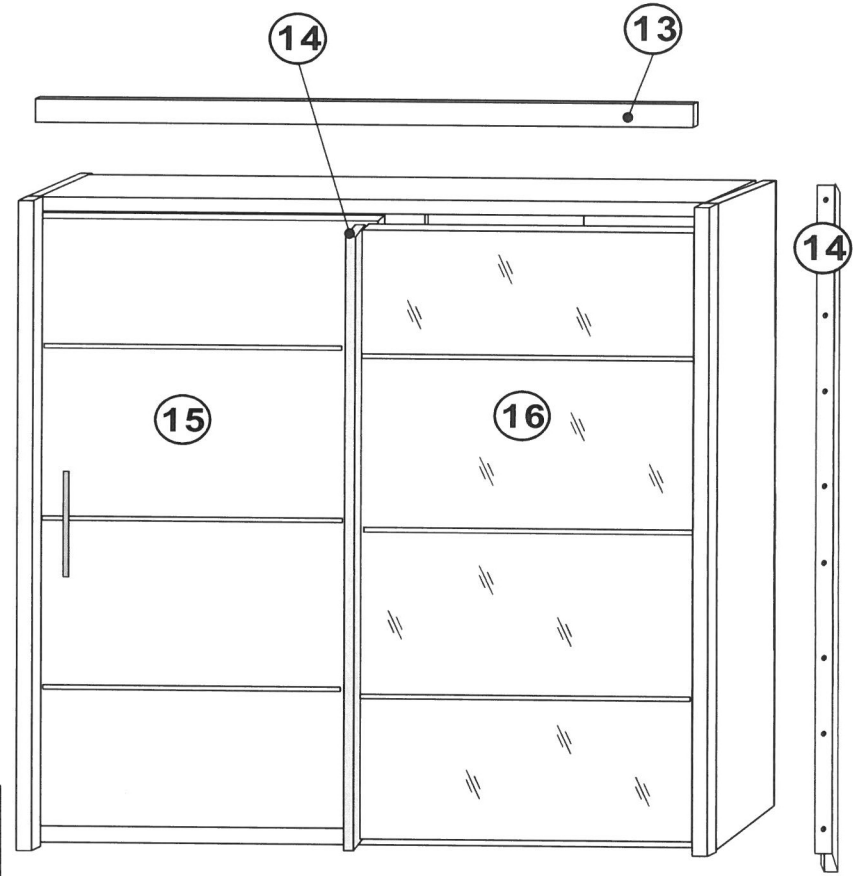
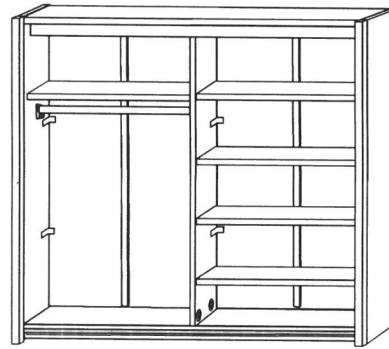


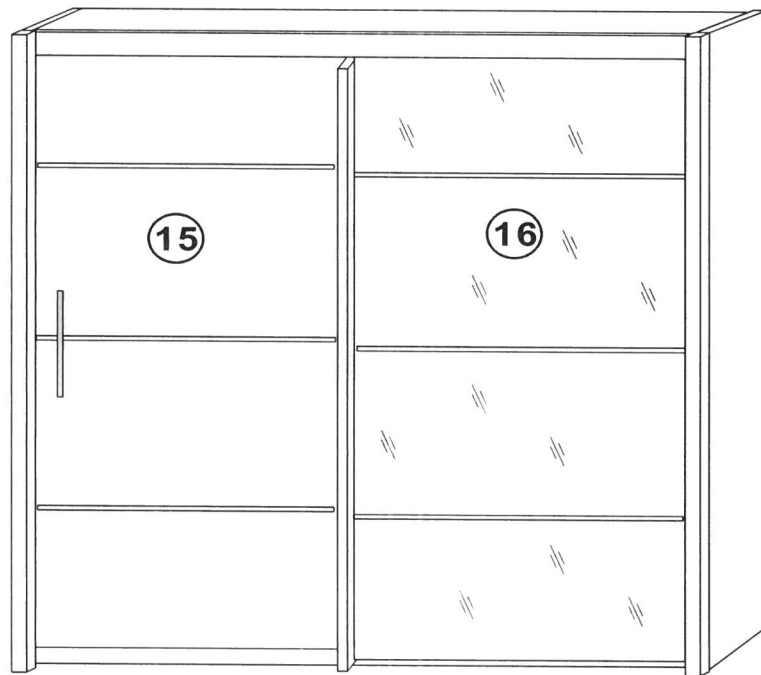
Option "a"



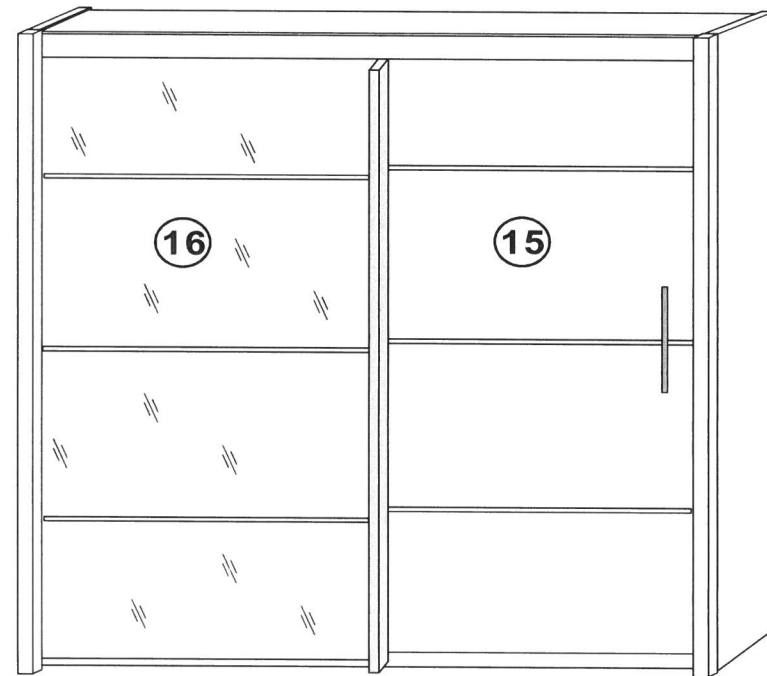
option "b"

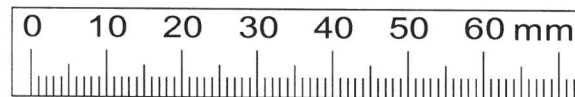
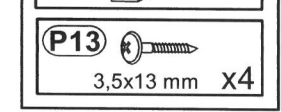
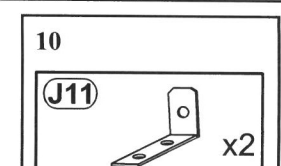
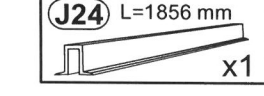
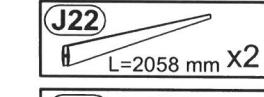
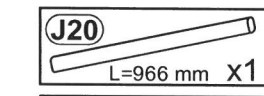
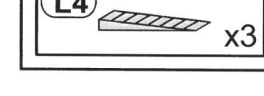
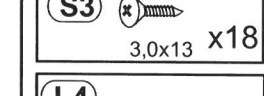
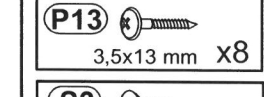
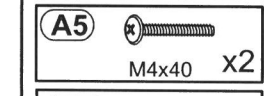
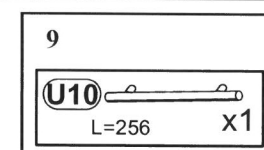
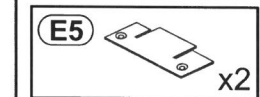
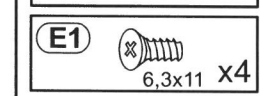
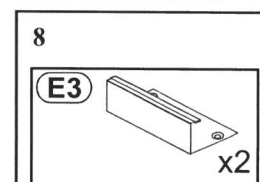
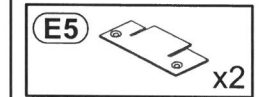
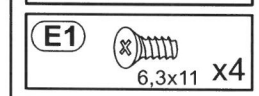
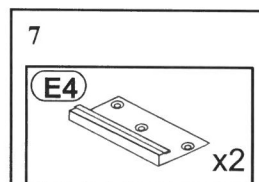
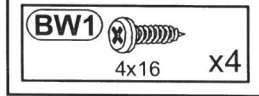
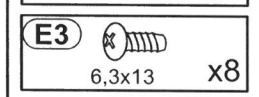
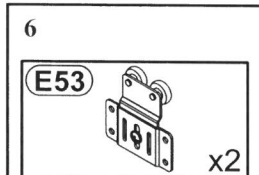
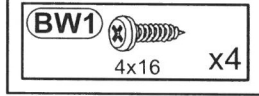
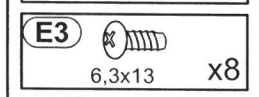
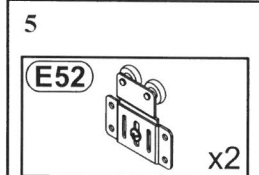
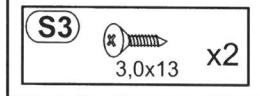
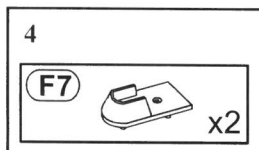
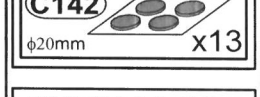
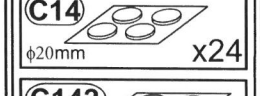
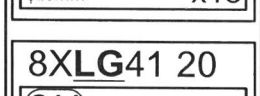
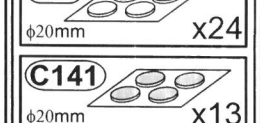
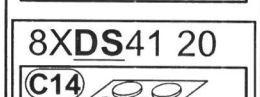
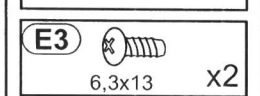
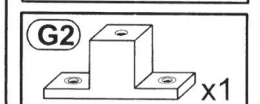
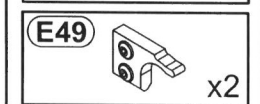
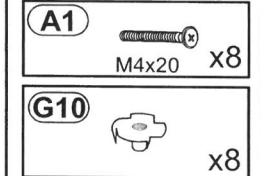
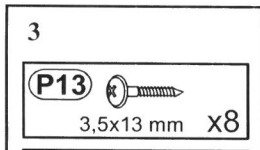
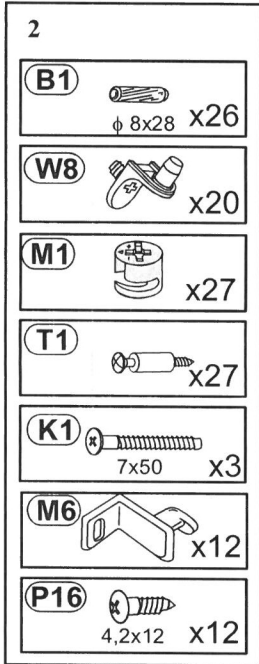
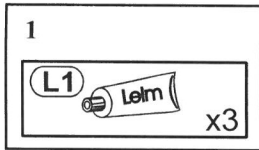


option "c"

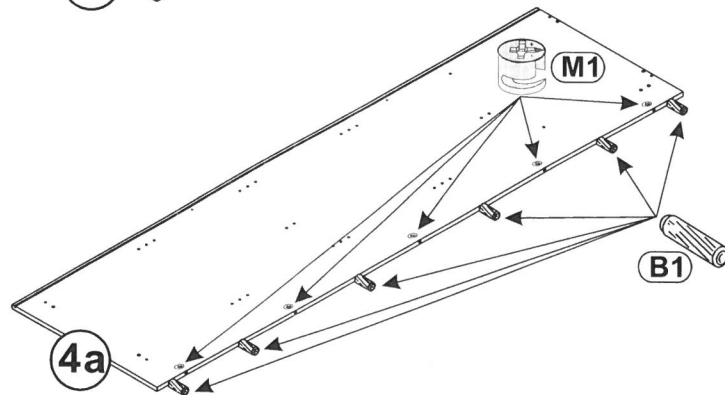
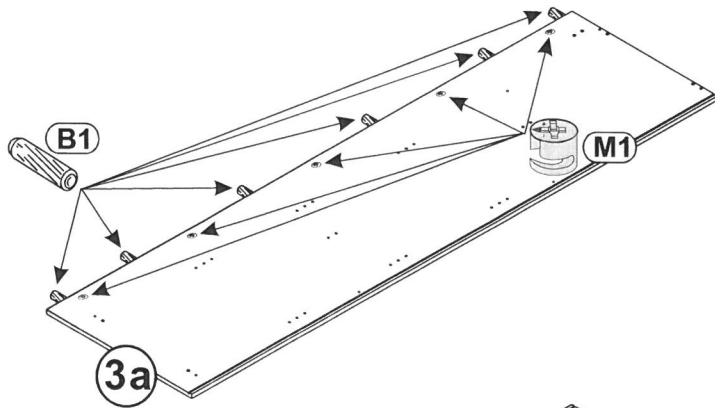
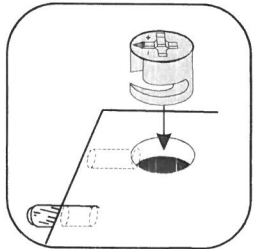
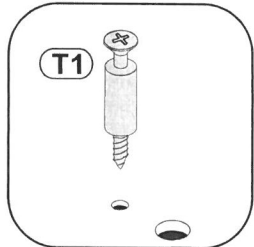
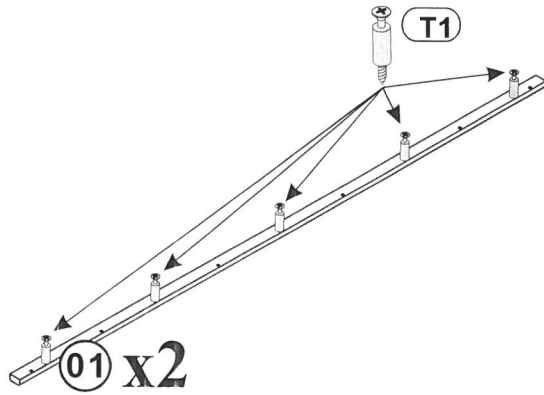
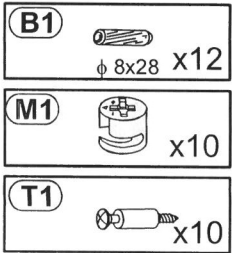


option "d"

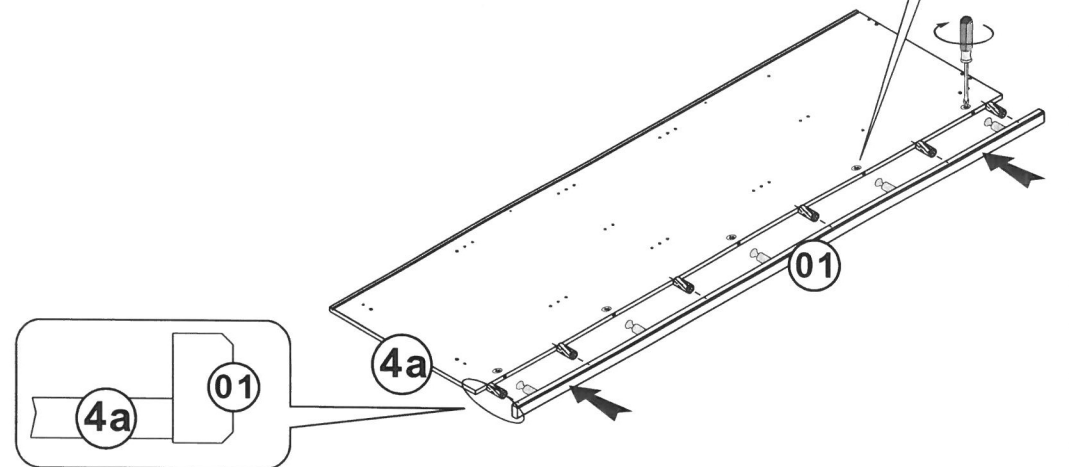
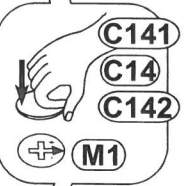
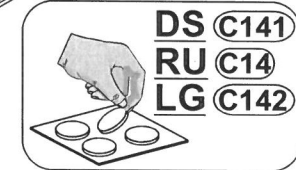
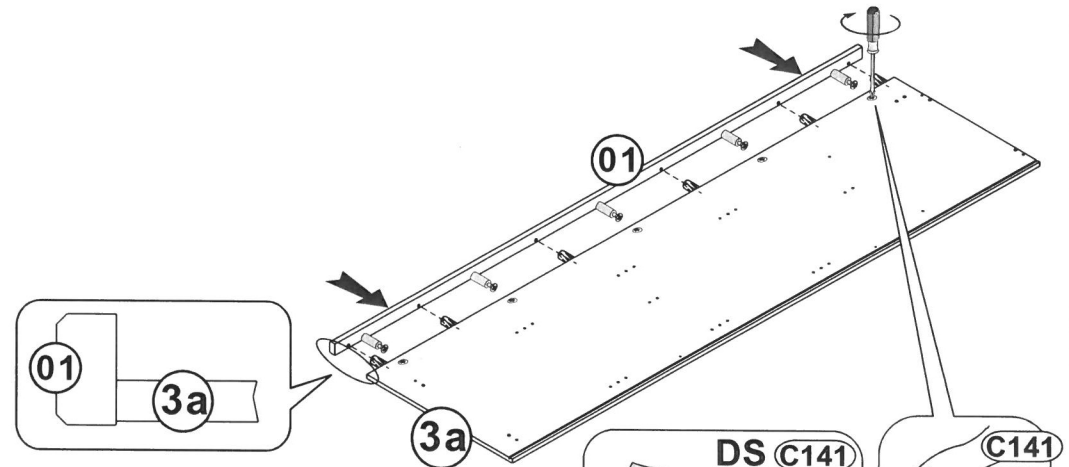
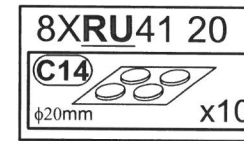
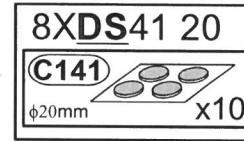




1


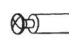







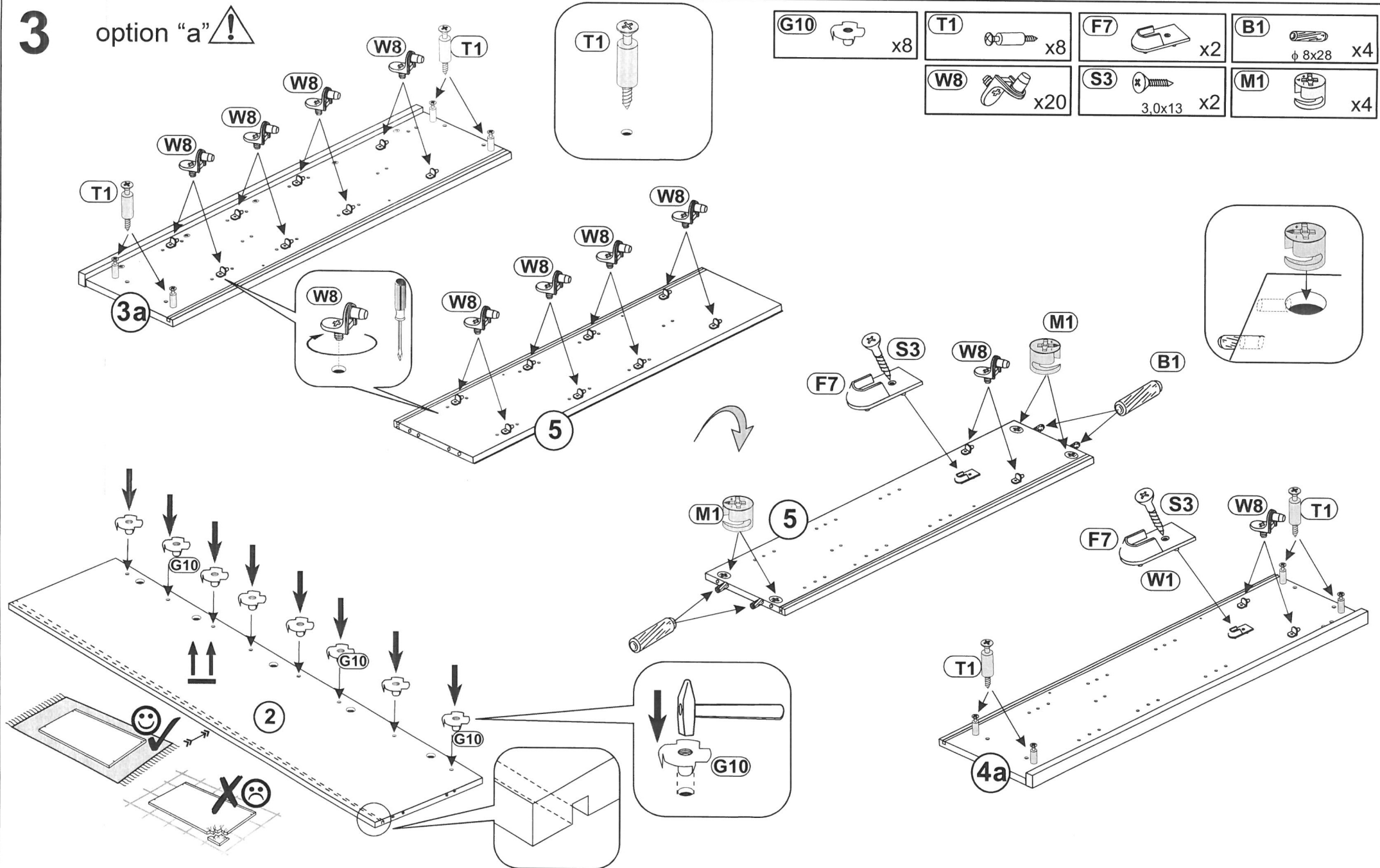
2



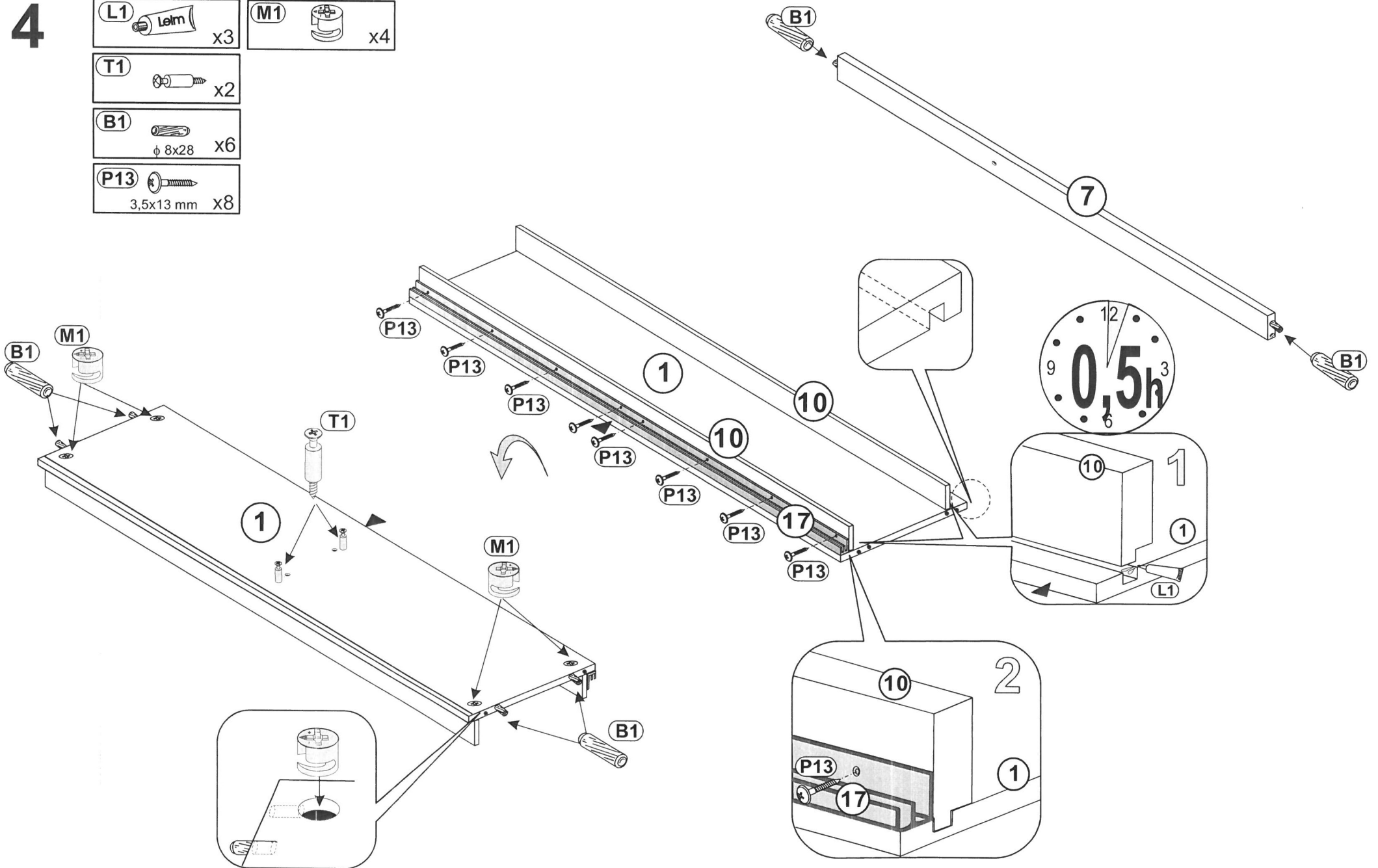
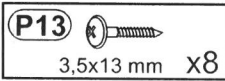
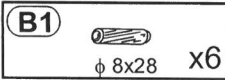
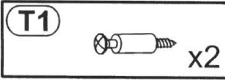
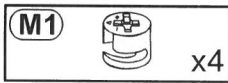
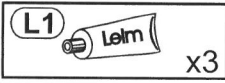
3

option "a" 

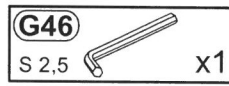
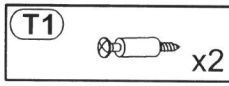
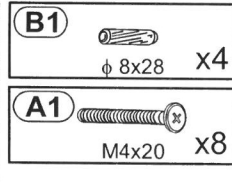
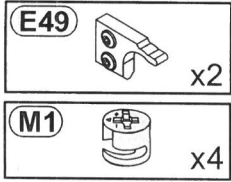
G10  x8	T1  x8	F7  x2	B1  ϕ 8x28 x4
W8  x20	S3  3,0x13 x2	M1  x4	



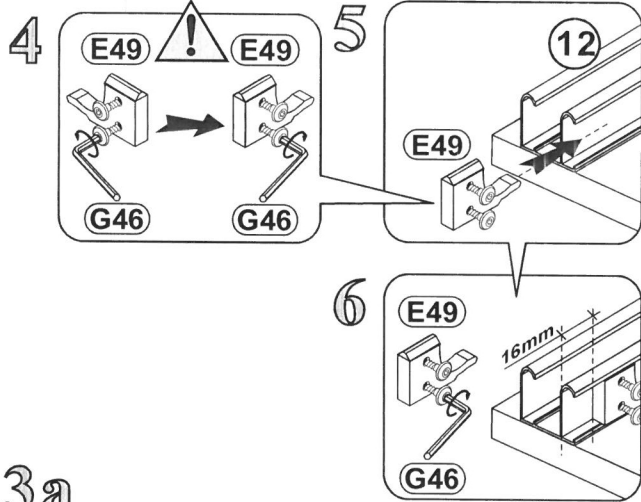
4



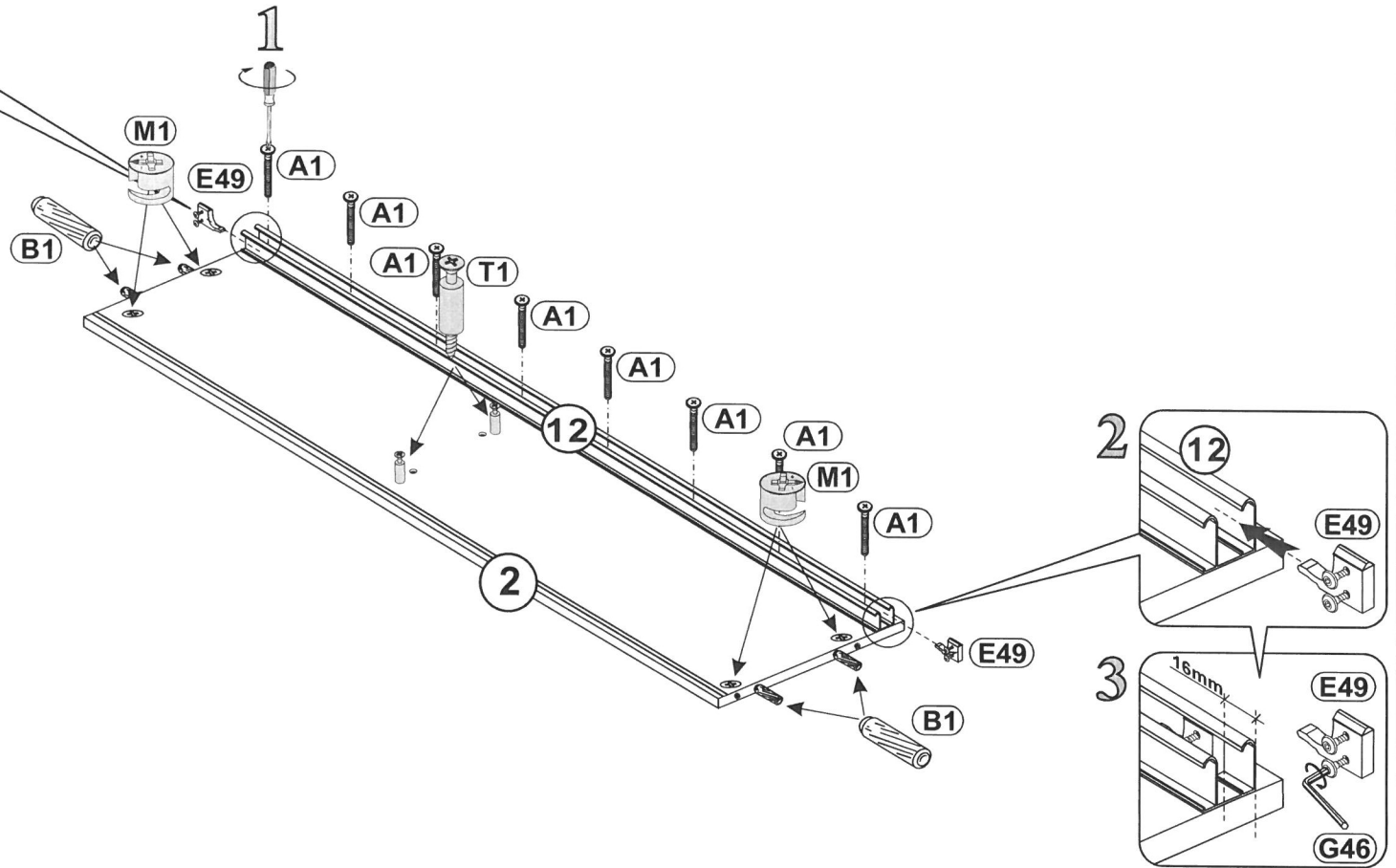
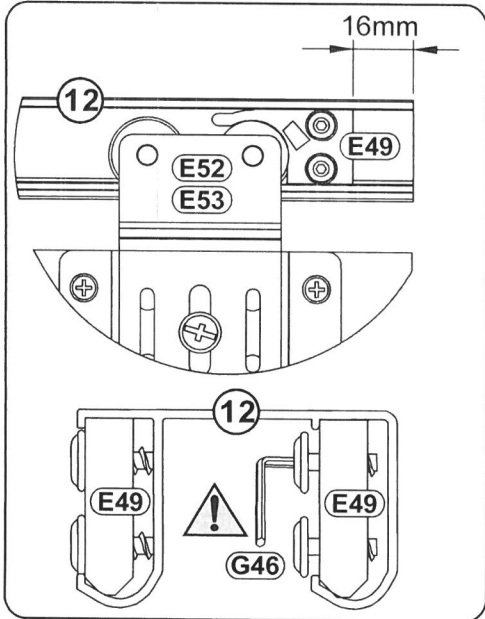
5a



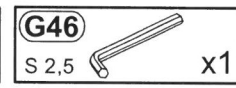
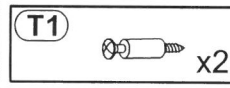
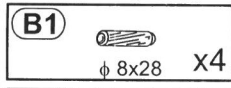
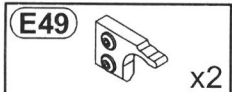
option "c"



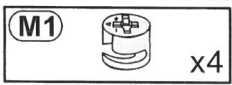
3a



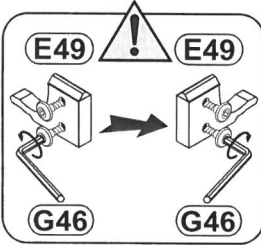
5b



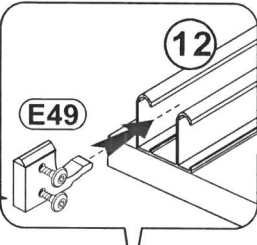
option "d" 



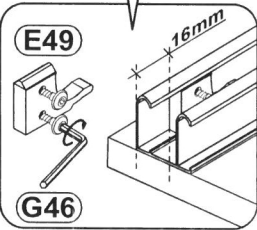
4



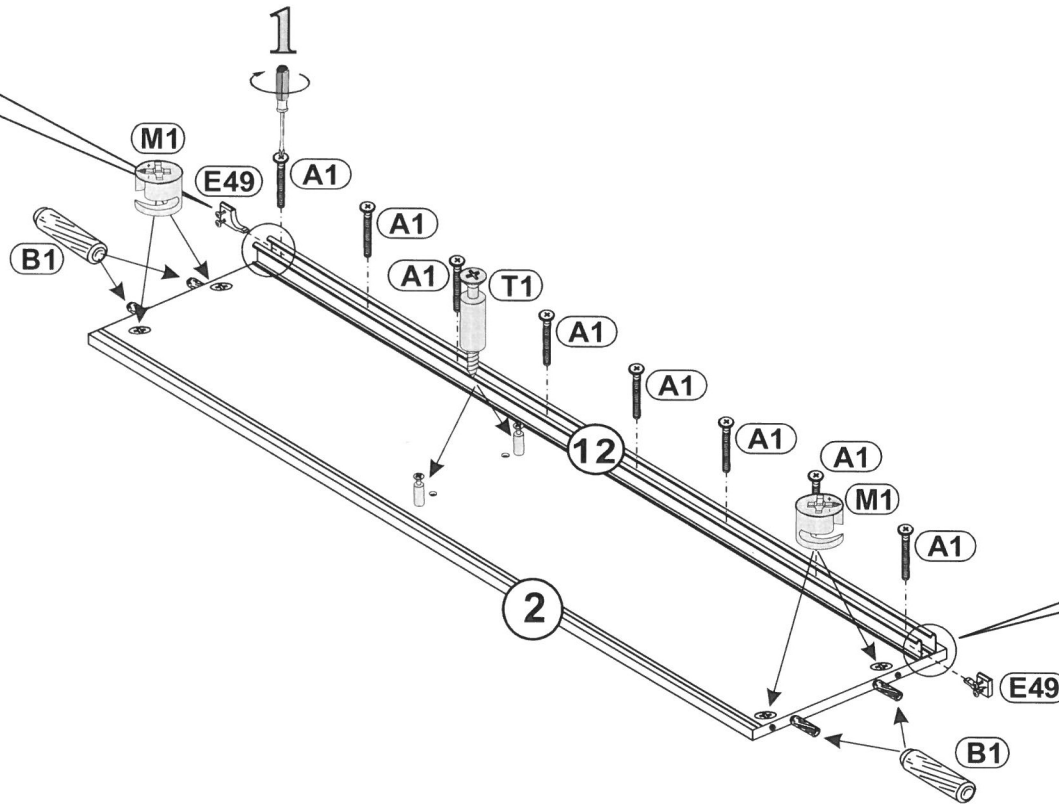
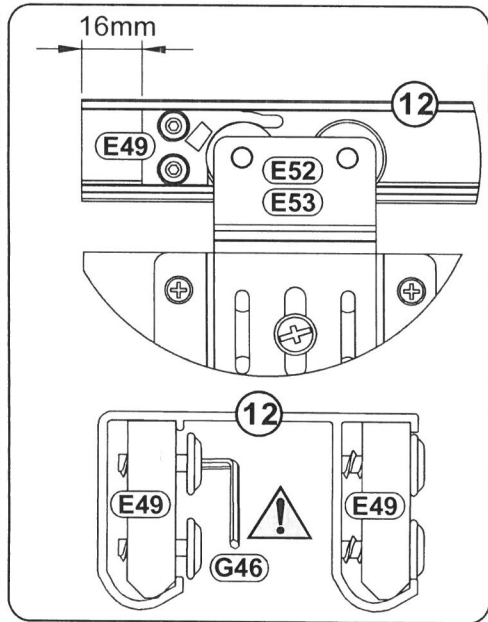
5



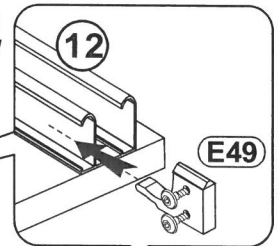
6



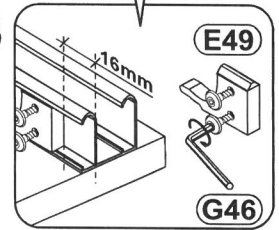
6a



2



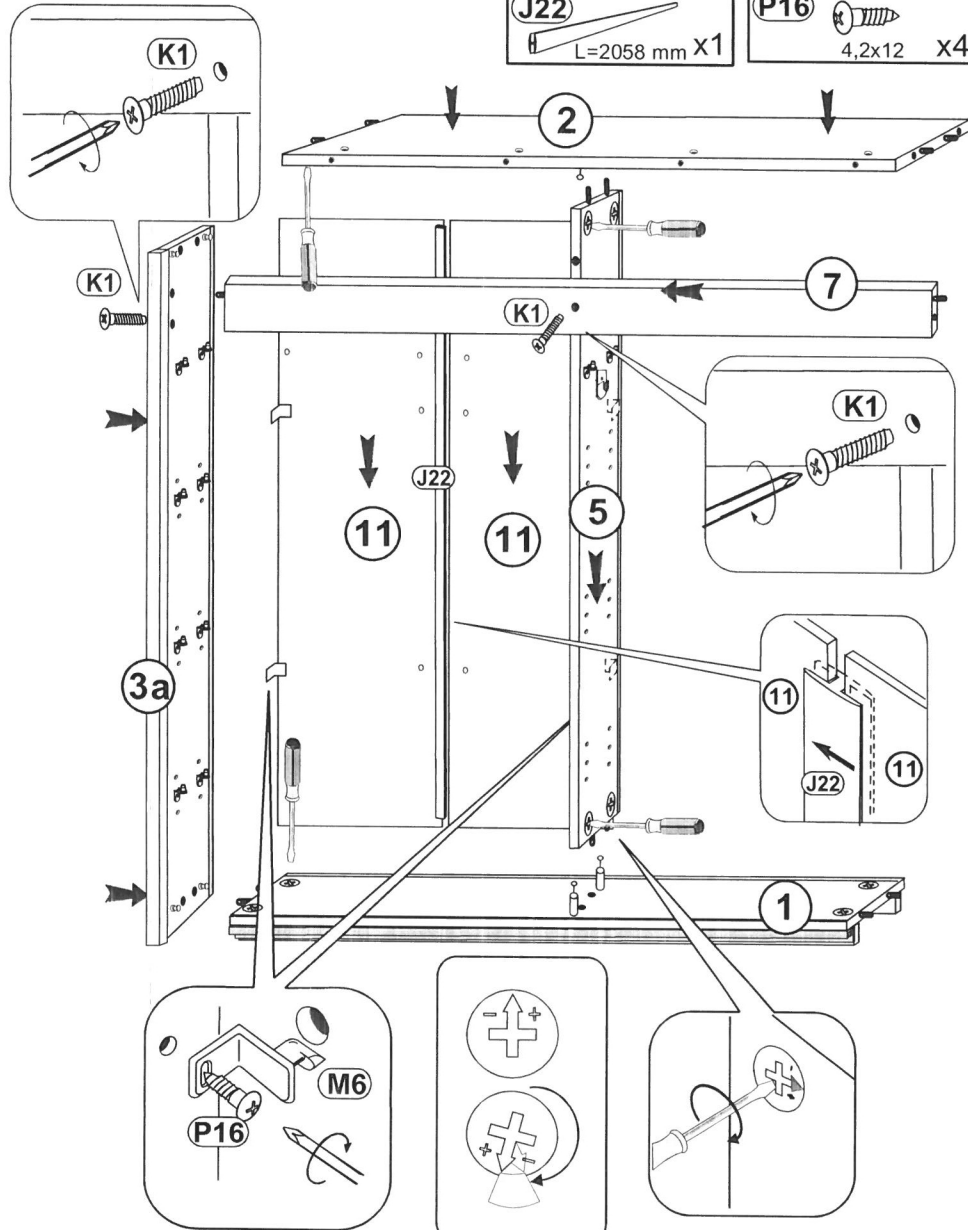
3



6

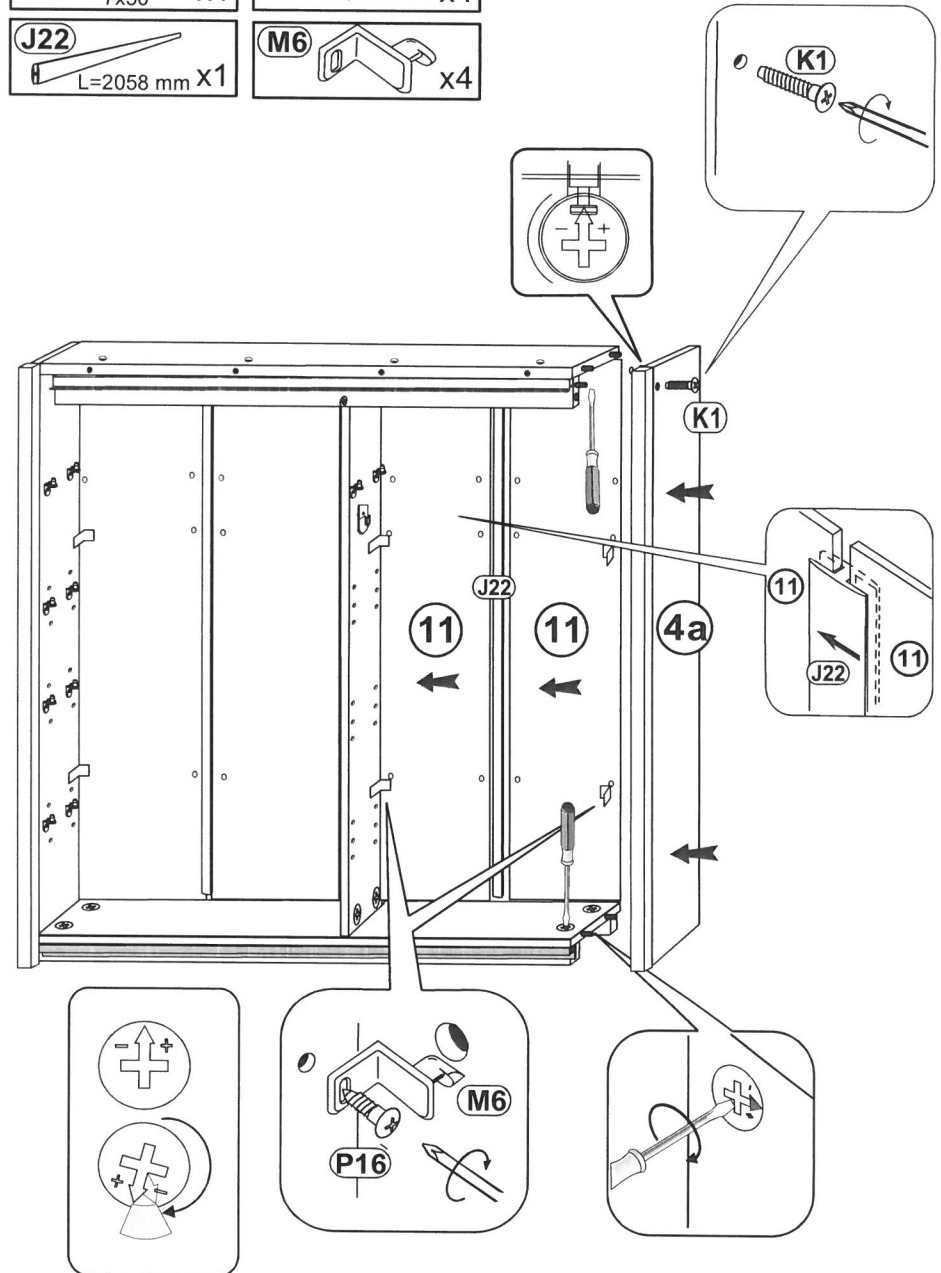
option "a" 

- | | |
|----------------------------|-------------------------|
| K1
7x50 x2 | M6
x4 |
| J22
L=2058 mm X1 | P16
4,2x12 X4 |

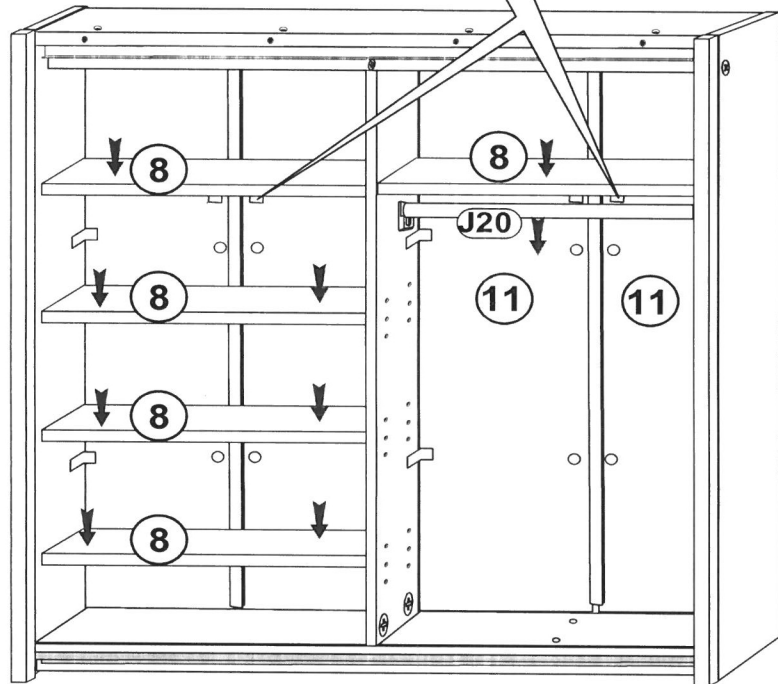
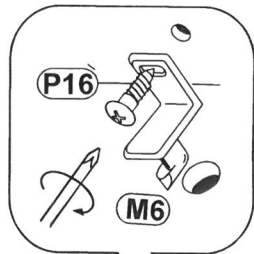
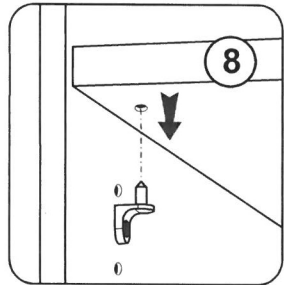
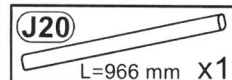


7

- | | |
|----------------------------|-------------------------|
| K1
7x50 x1 | P16
4,2x12 x4 |
| J22
L=2058 mm X1 | M6
x4 |

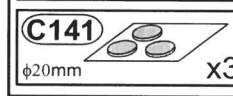
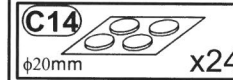


8

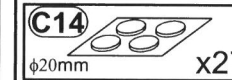


9

8XDS44

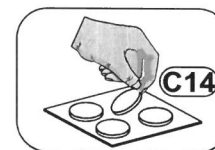
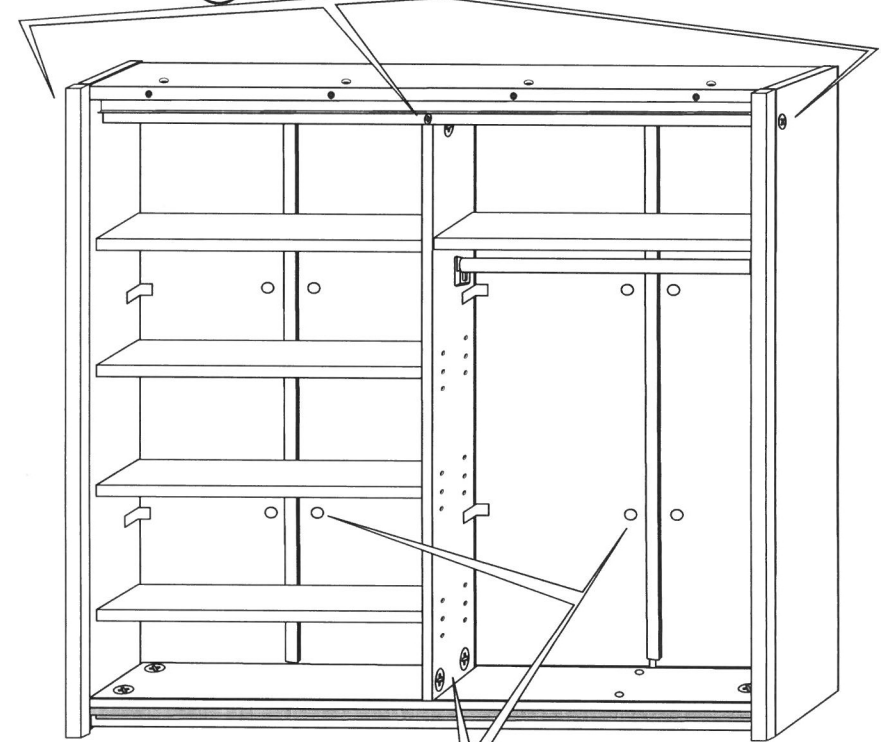
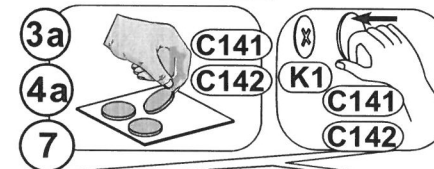
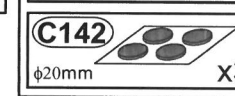
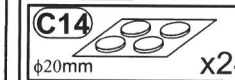


8XRU44 20

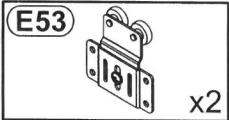


8XDS44 20
8XLG44 20

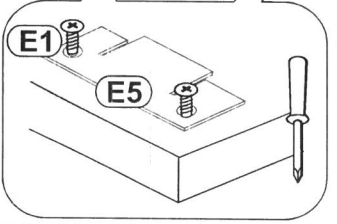
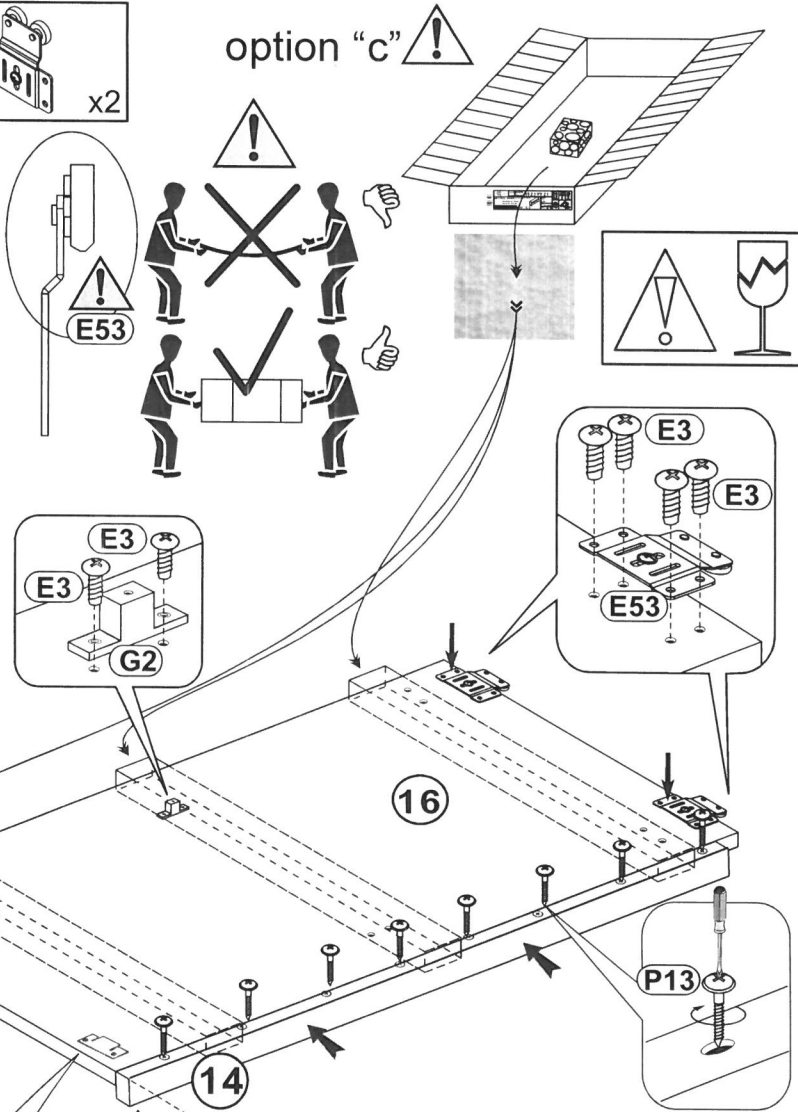
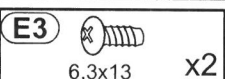
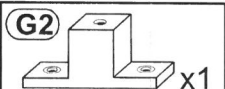
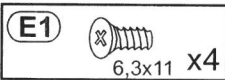
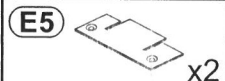
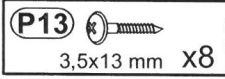
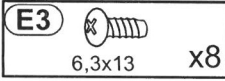
8XLG44 20



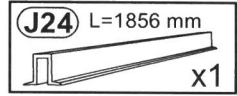
10



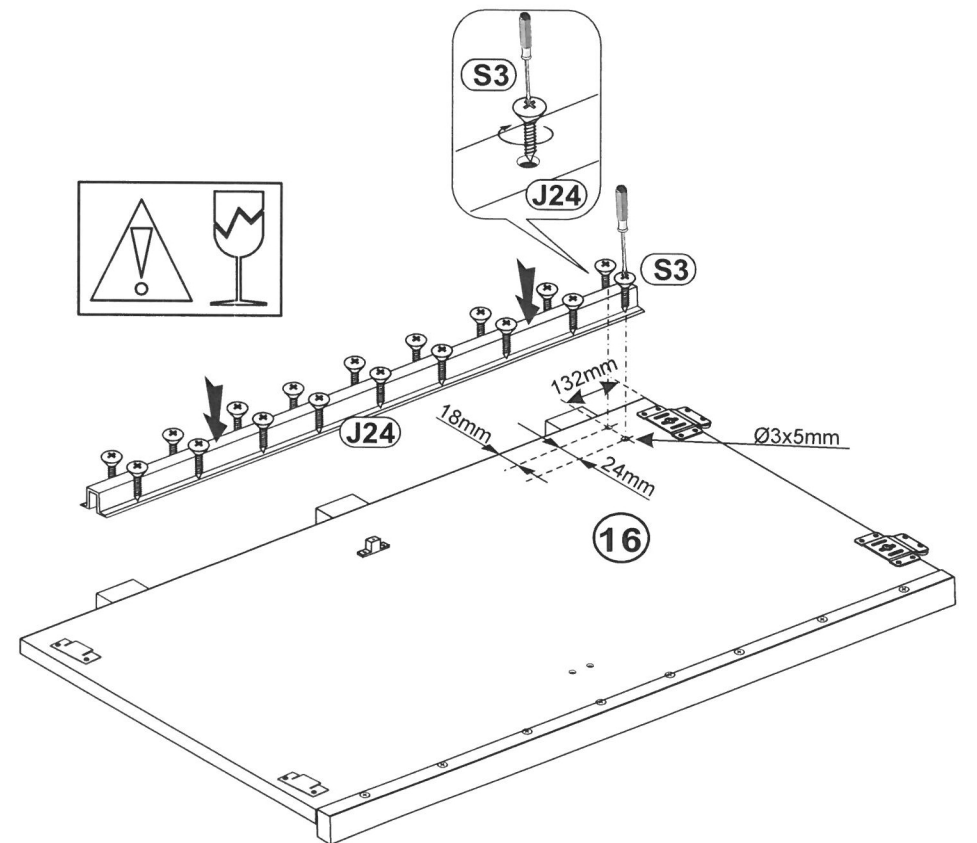
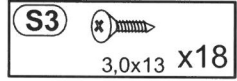
option "c" ⚠



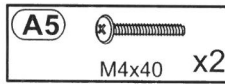
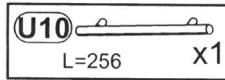
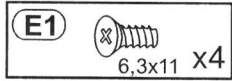
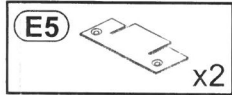
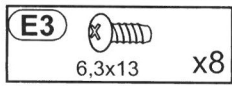
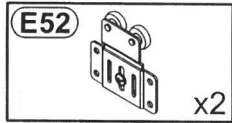
11



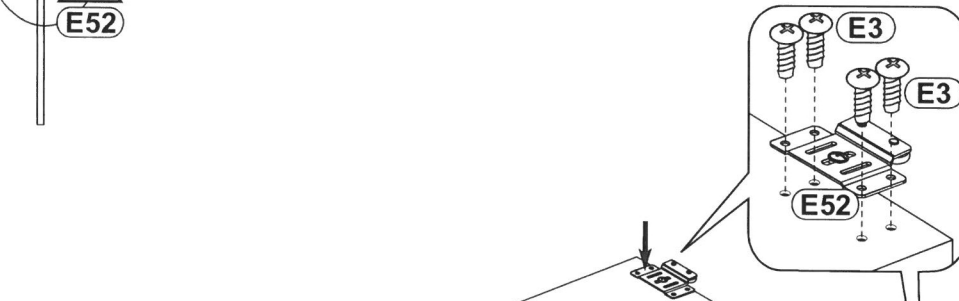
option "c" ⚠



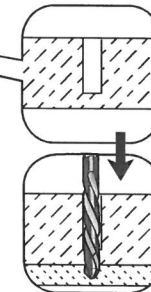
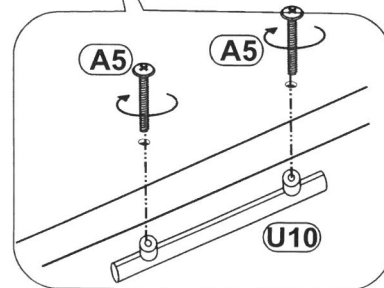
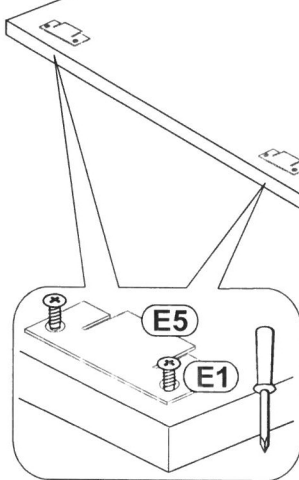
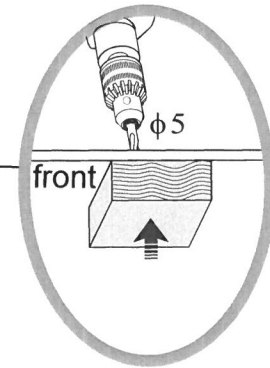
12



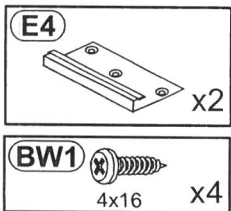
option "c" 



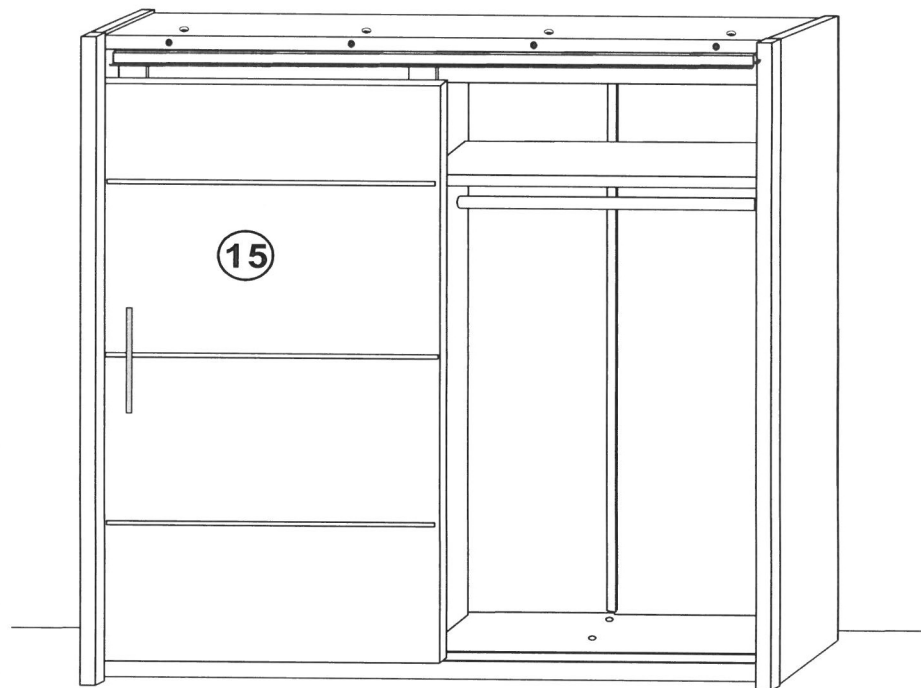
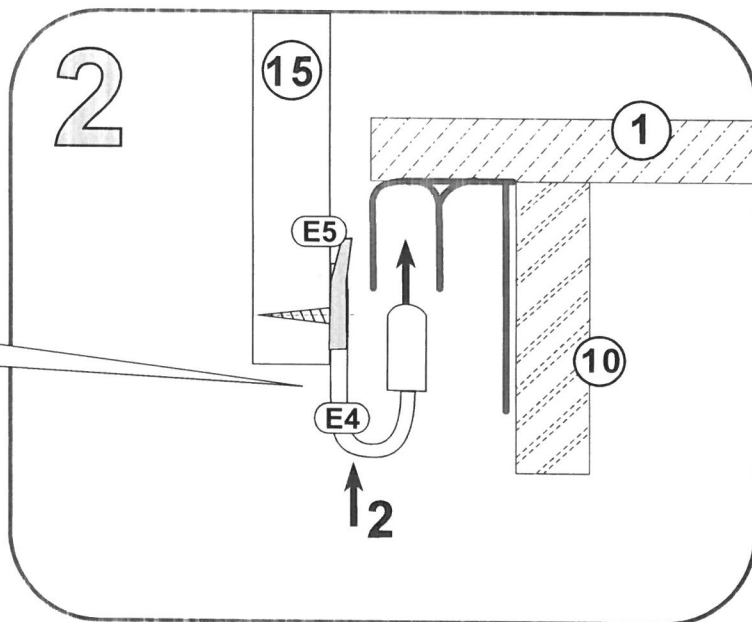
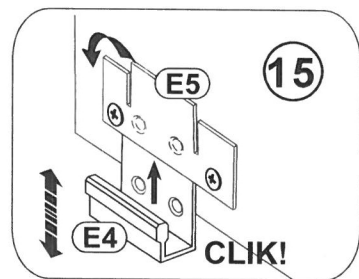
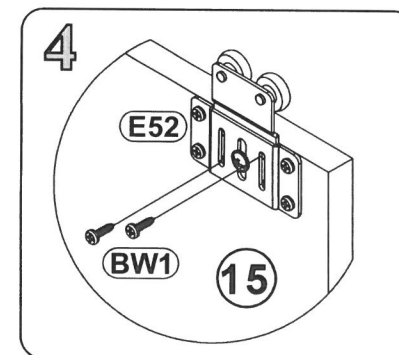
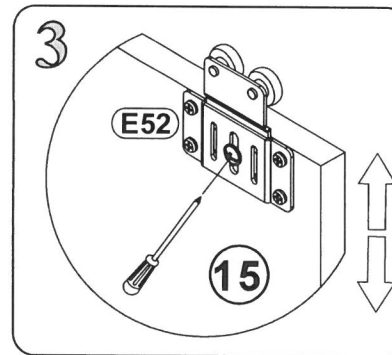
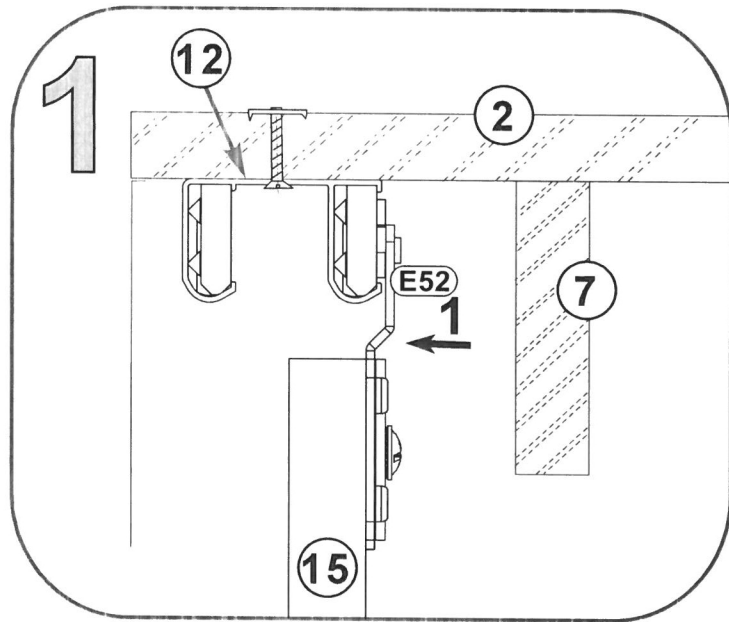
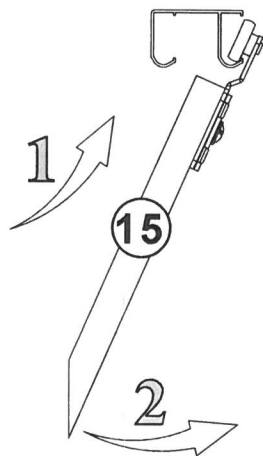
15



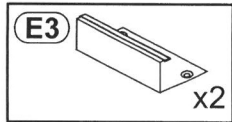
13



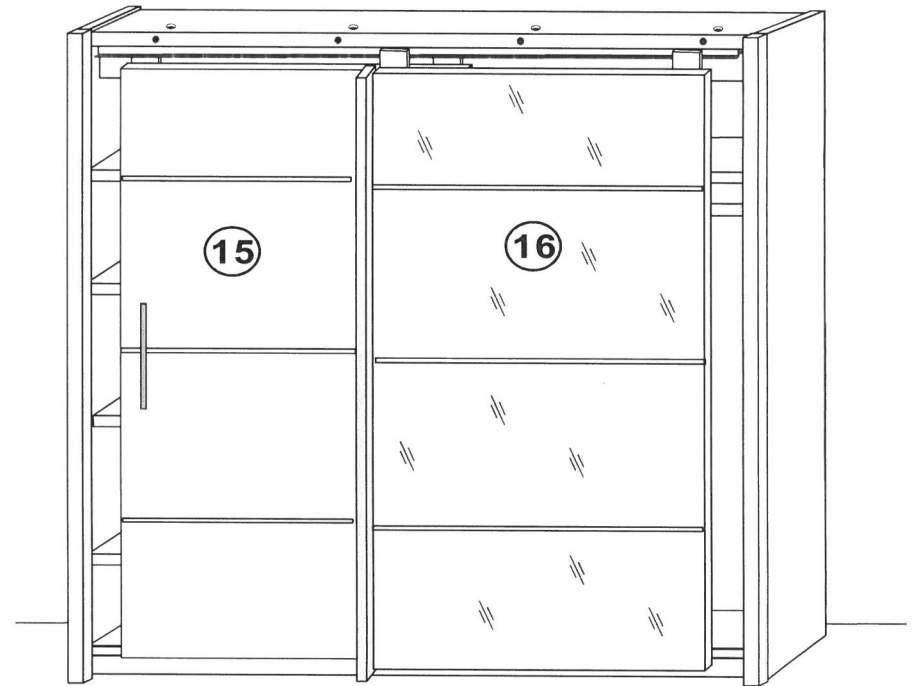
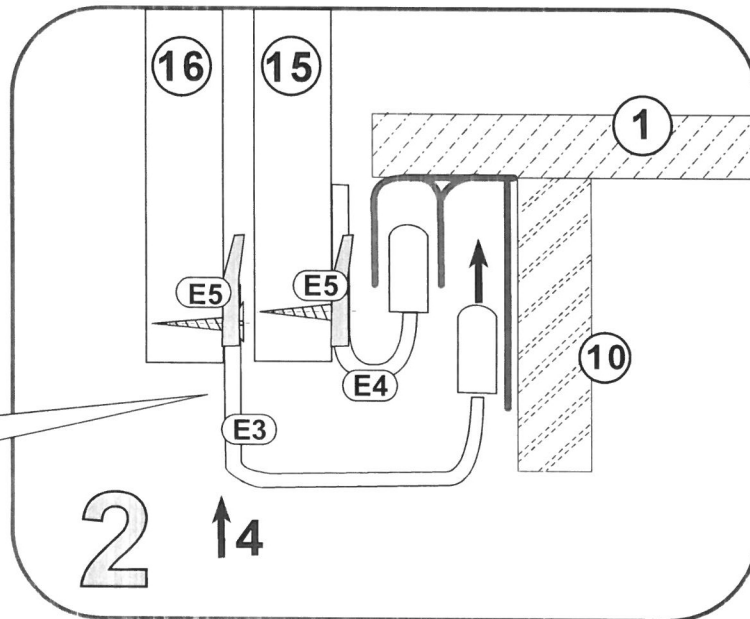
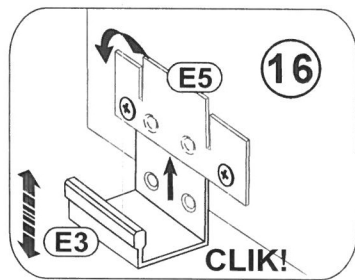
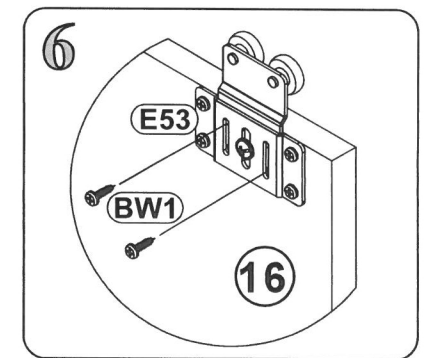
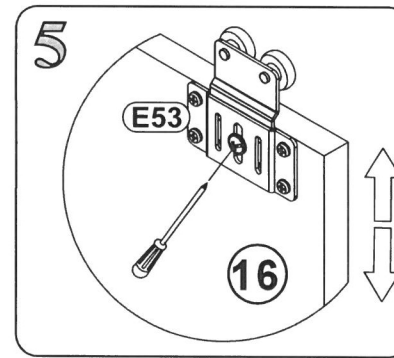
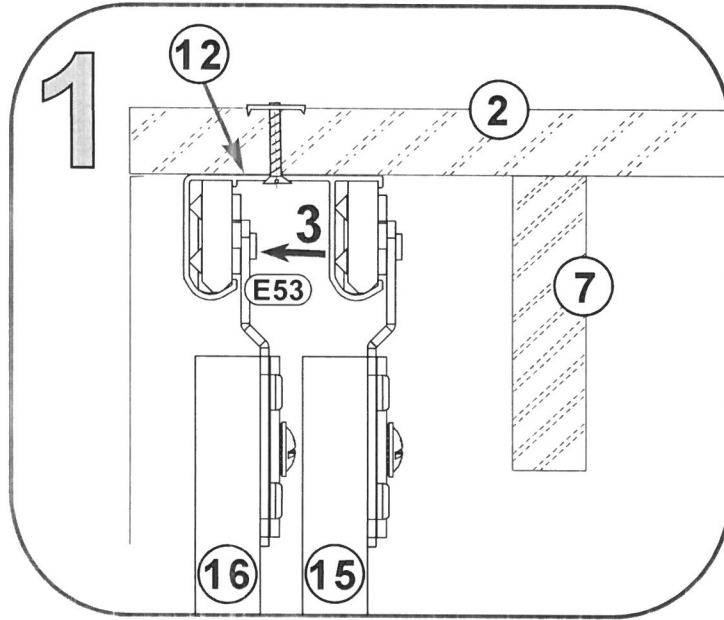
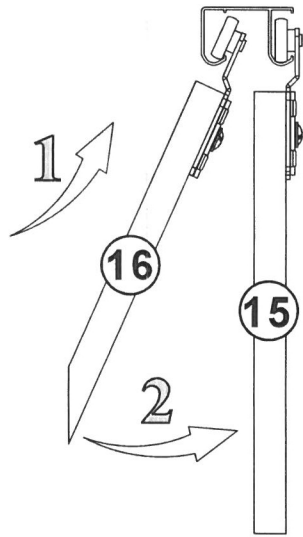
option "c" ⚠



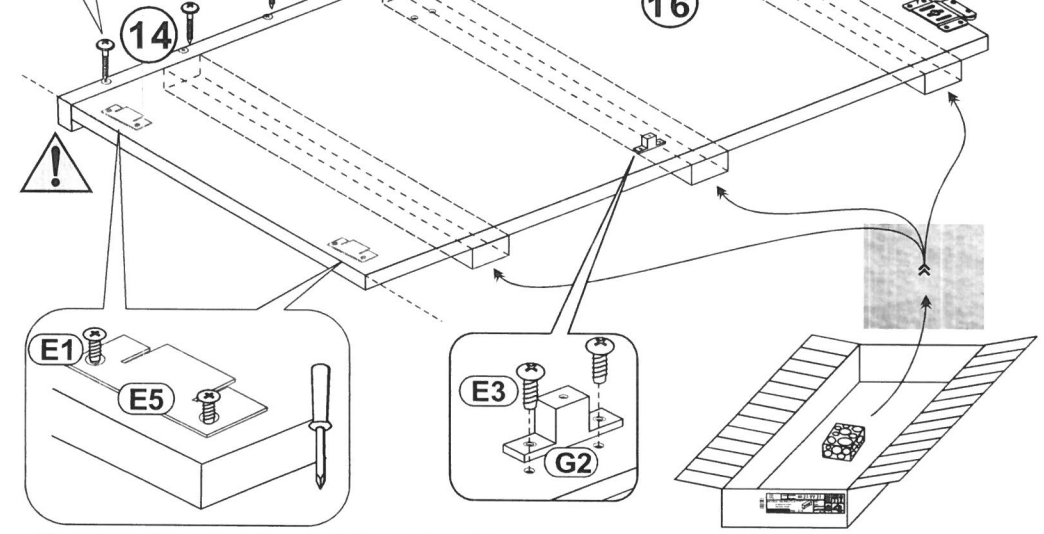
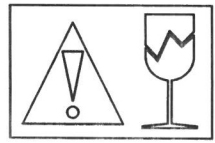
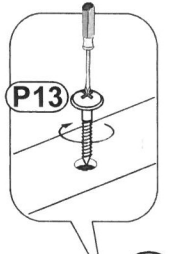
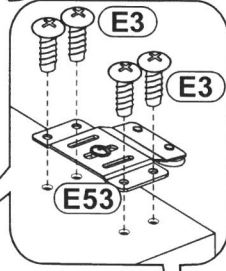
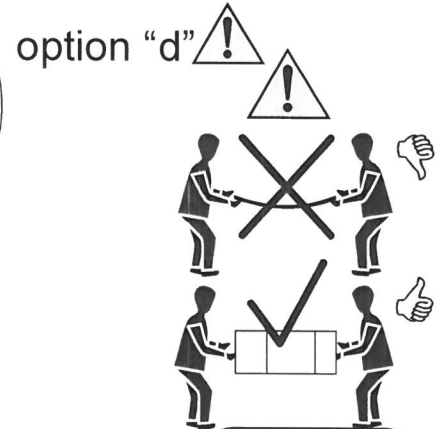
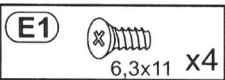
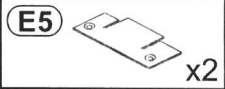
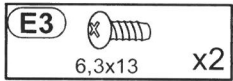
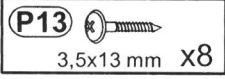
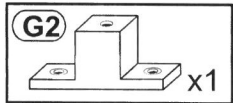
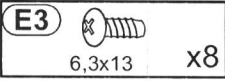
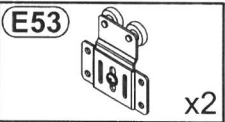
14



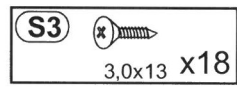
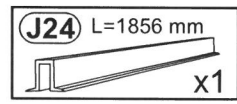
option "c" ⚠



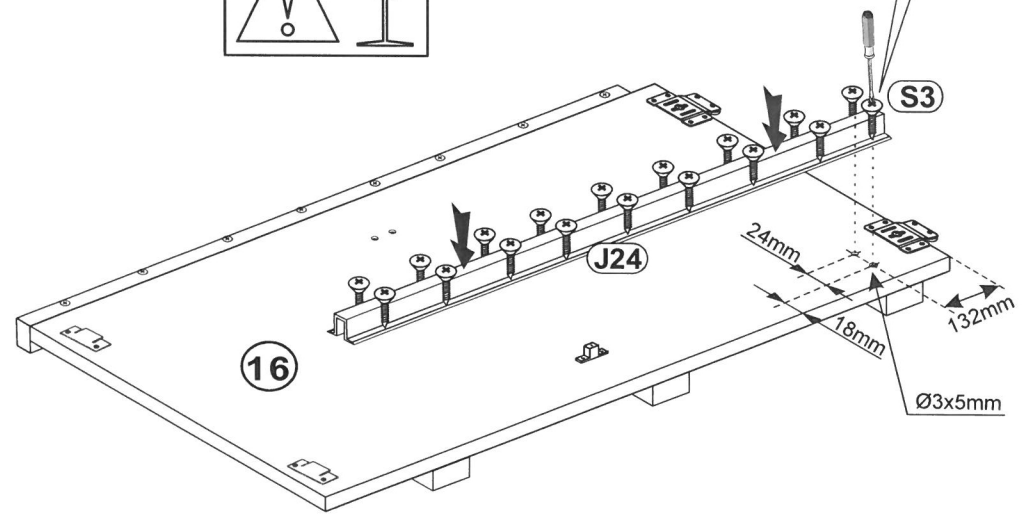
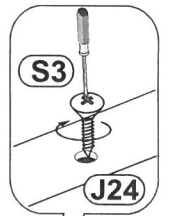
15



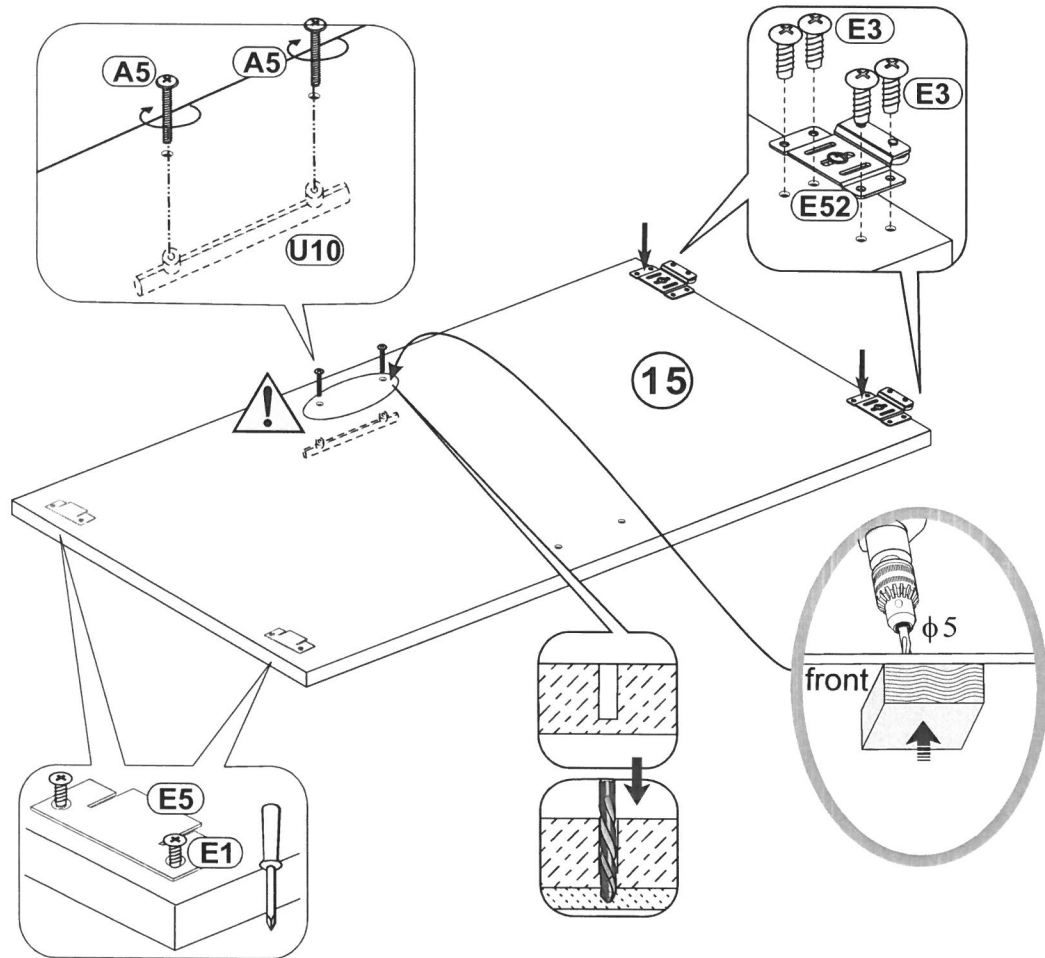
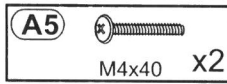
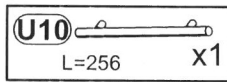
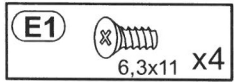
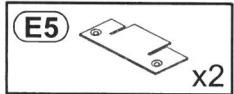
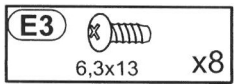
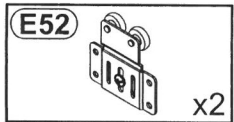
16



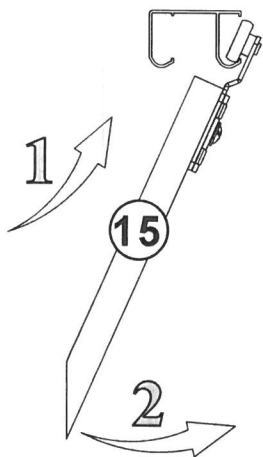
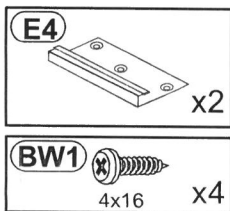
option "d" ⚠️



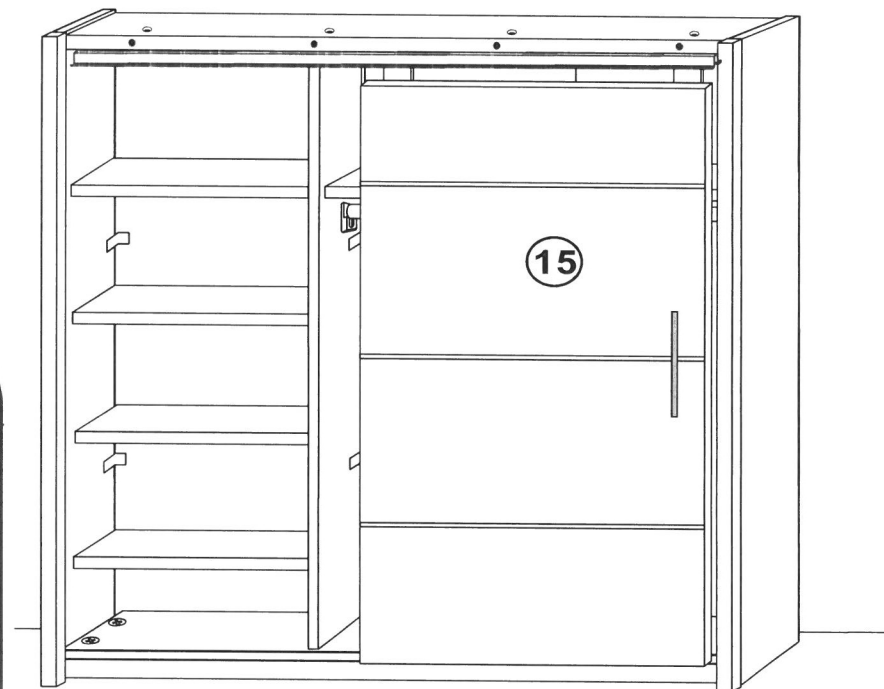
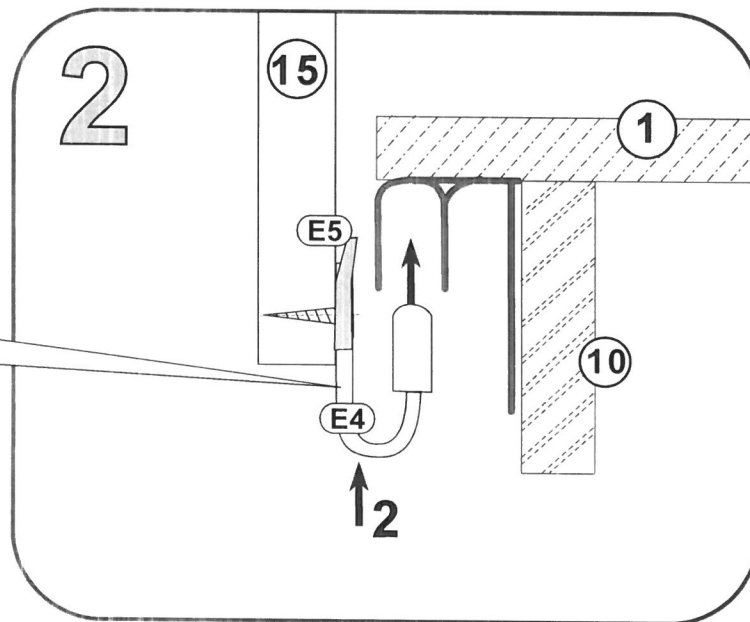
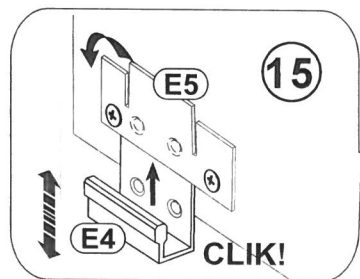
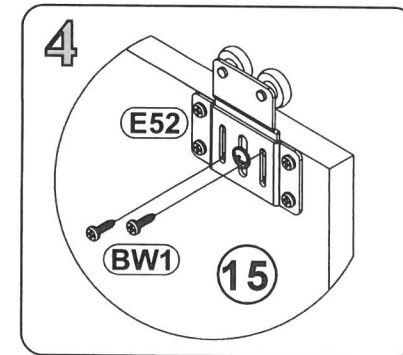
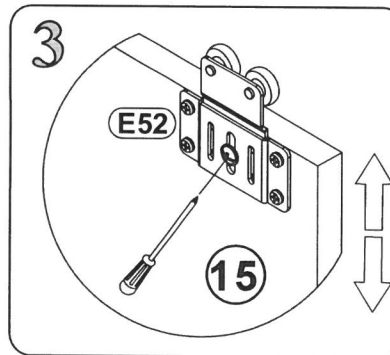
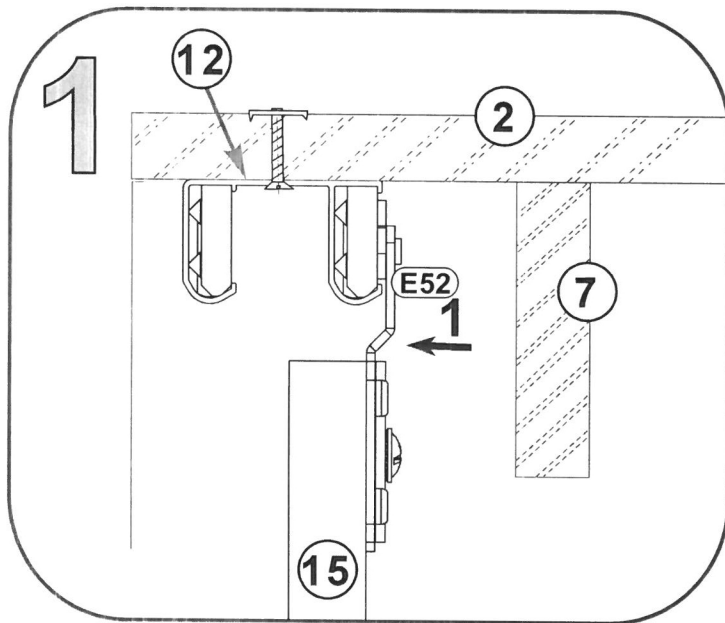
17



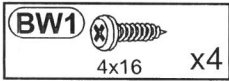
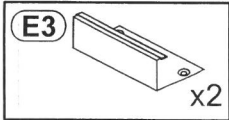
18



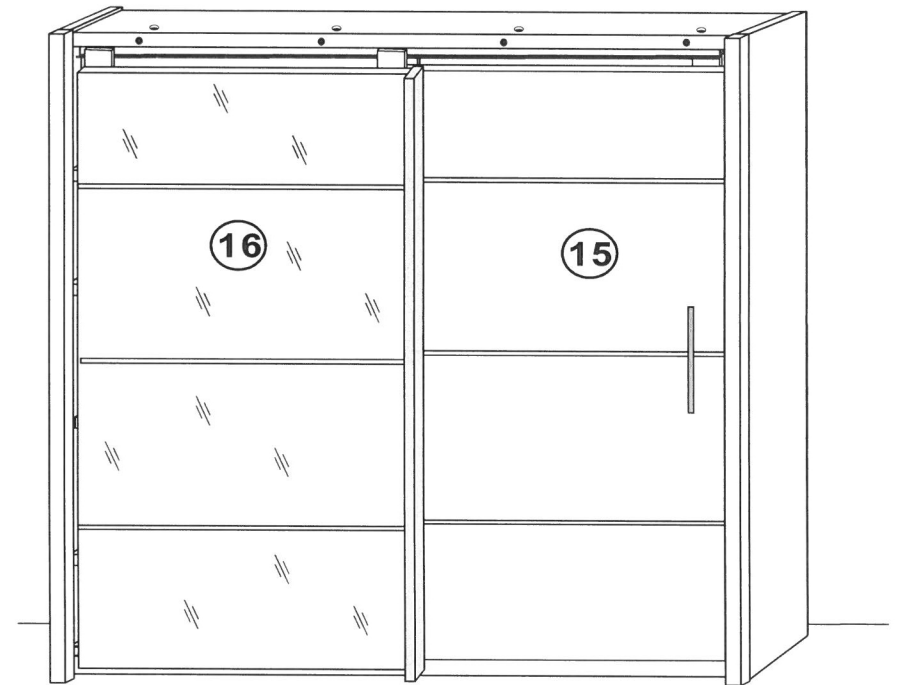
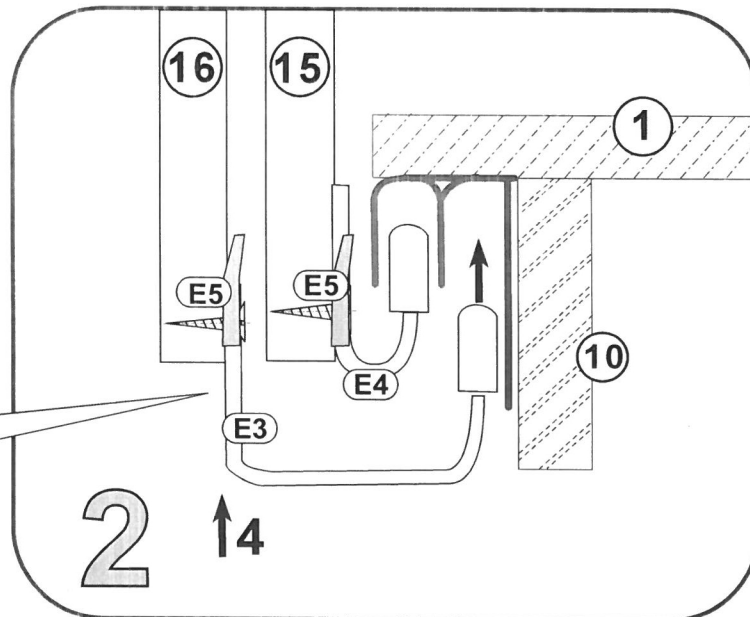
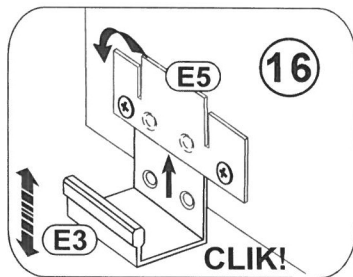
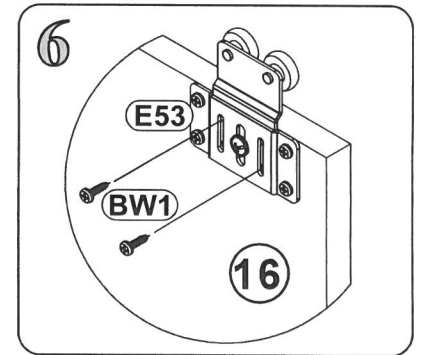
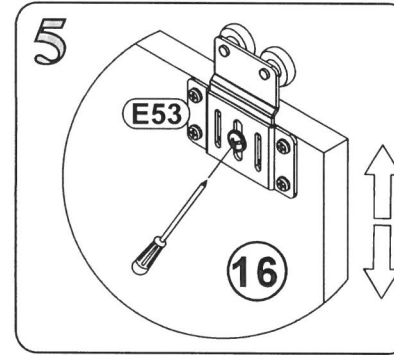
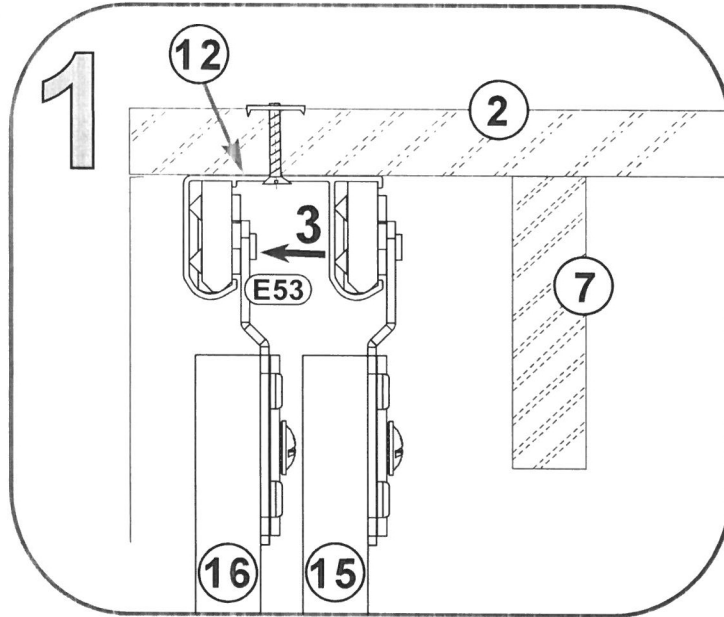
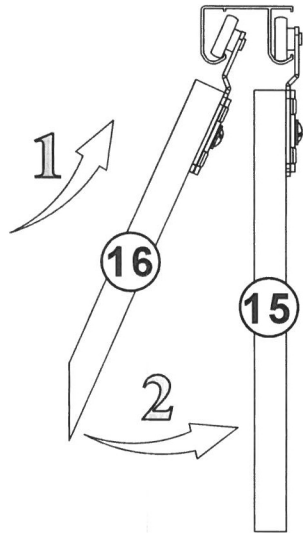
option "d" ⚠



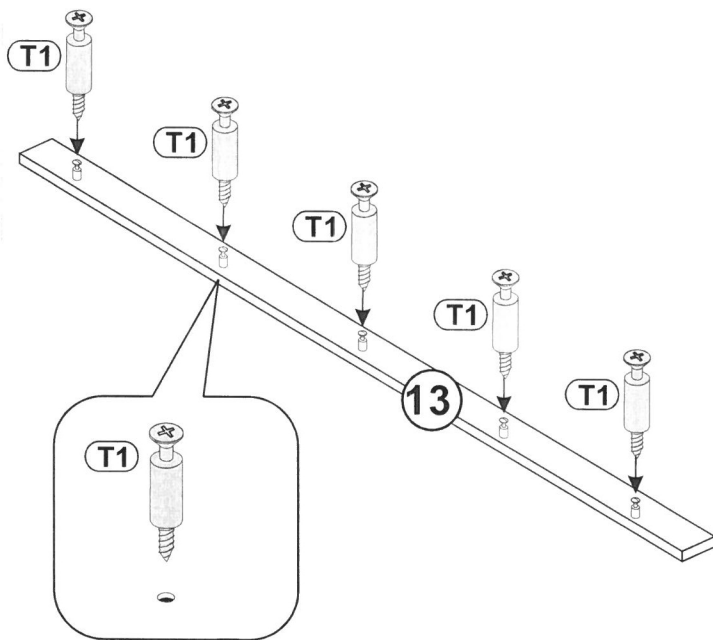
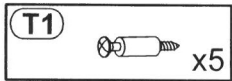
19



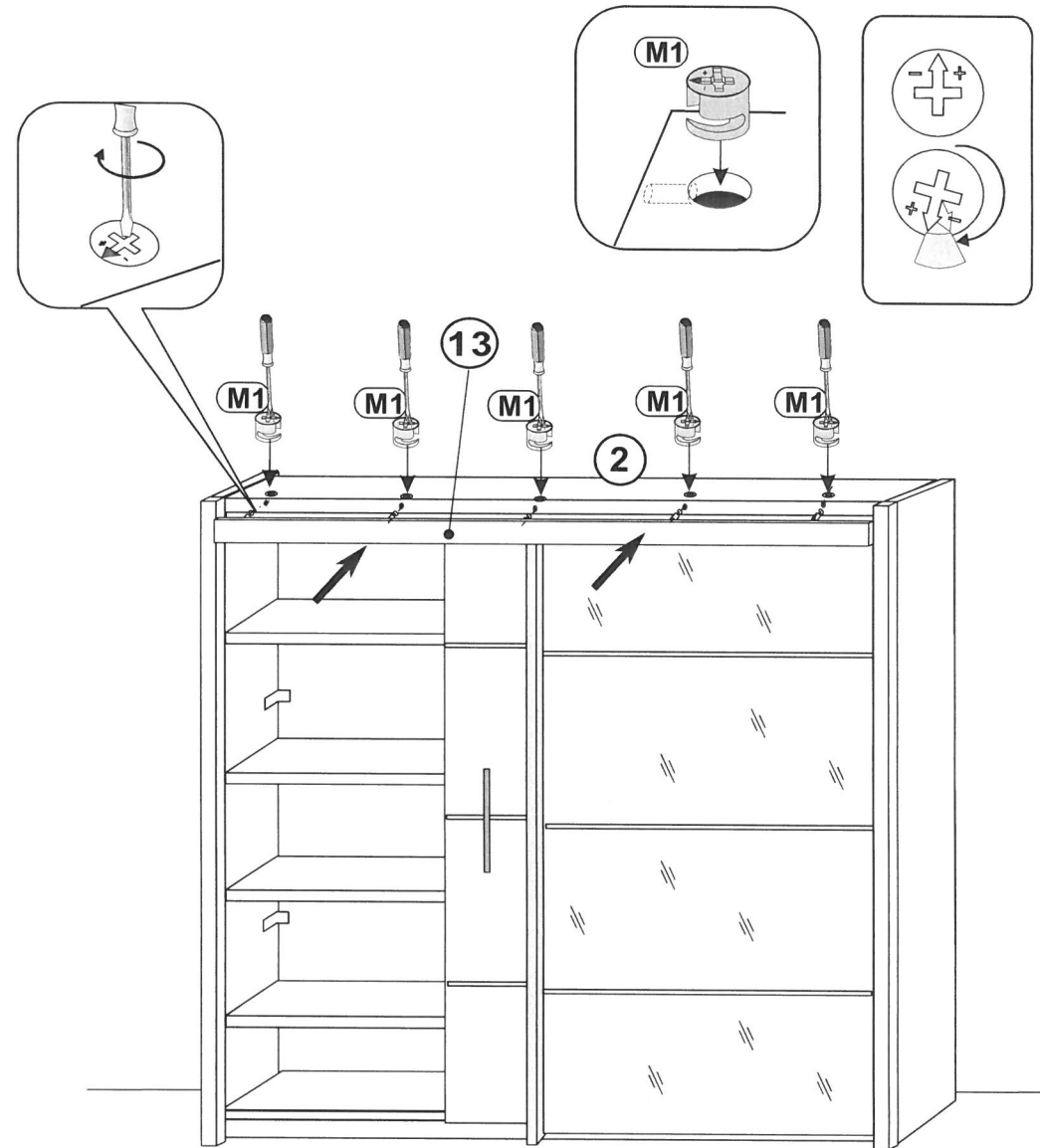
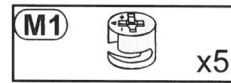
option "d" ⚠



20



21



22

