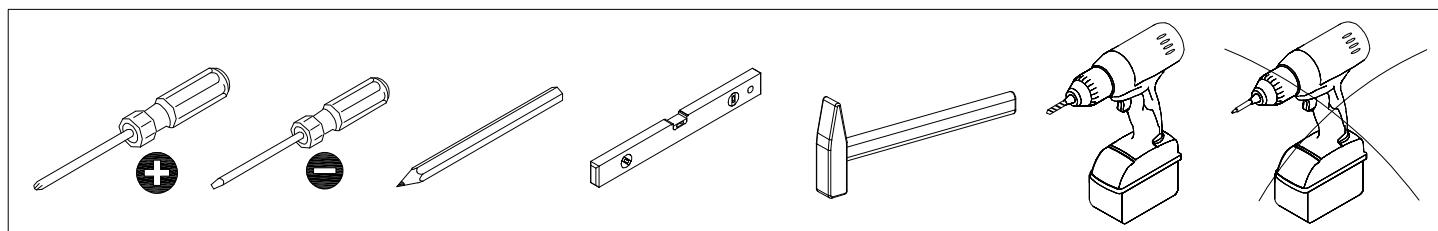
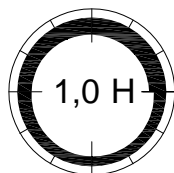
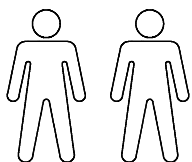
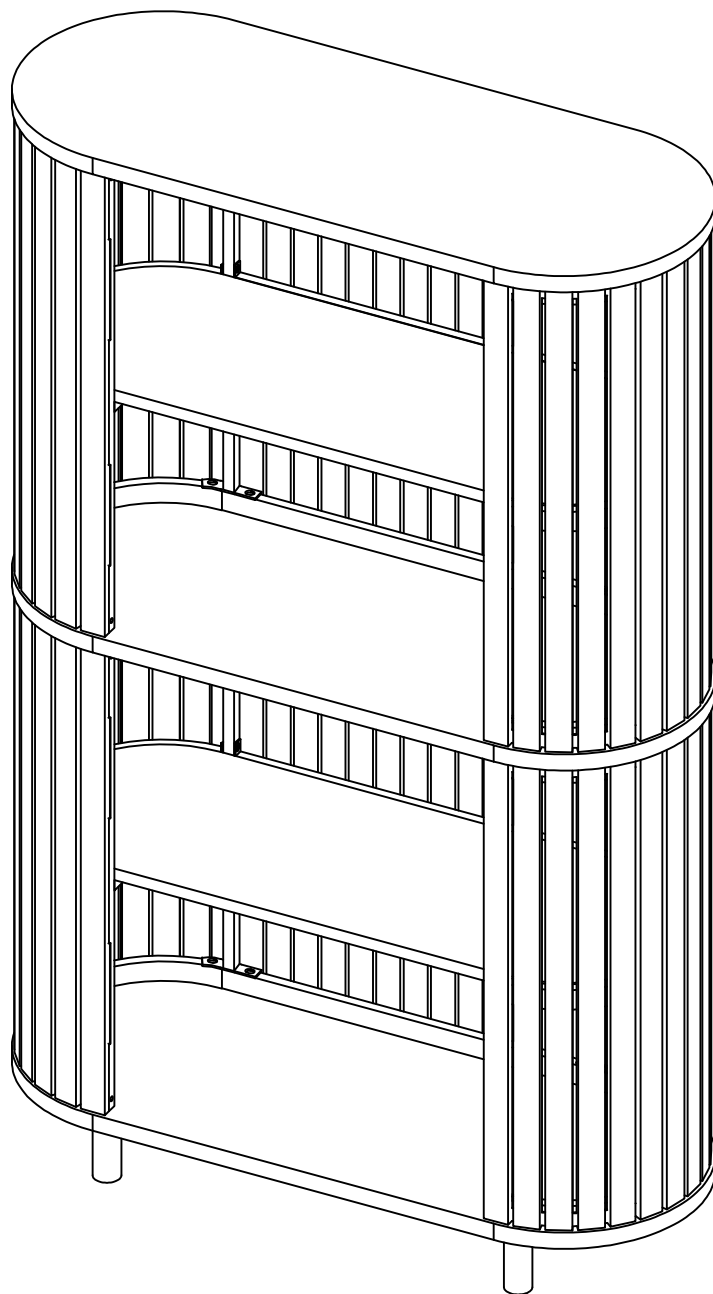
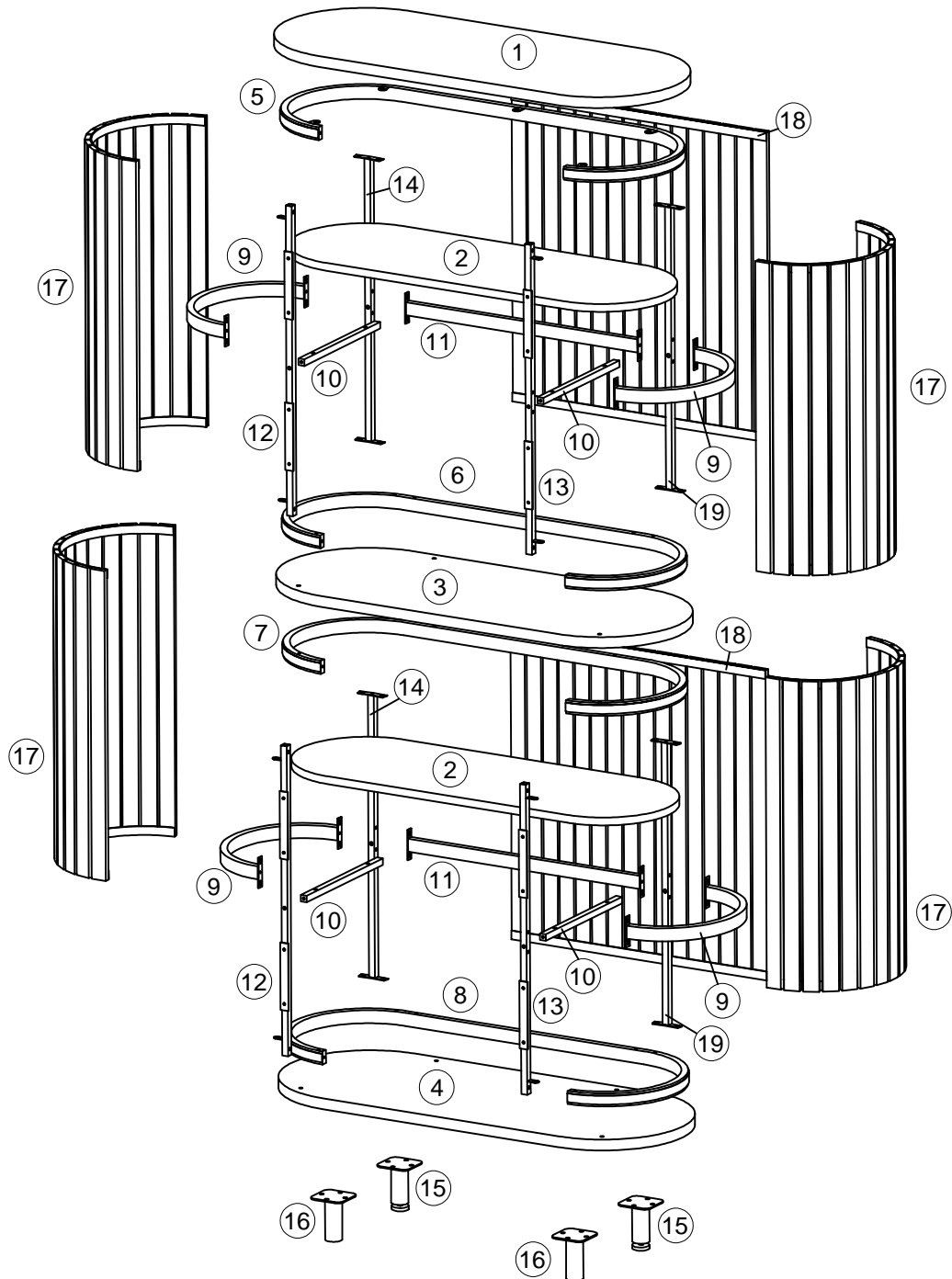


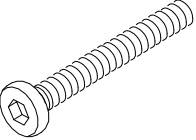
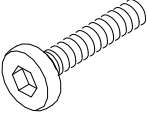
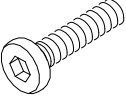
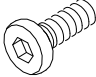
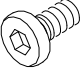
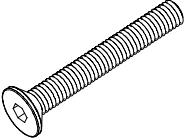
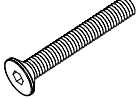
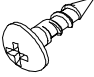
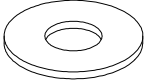

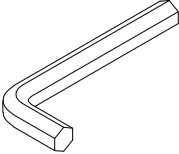
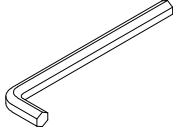
COLIMA



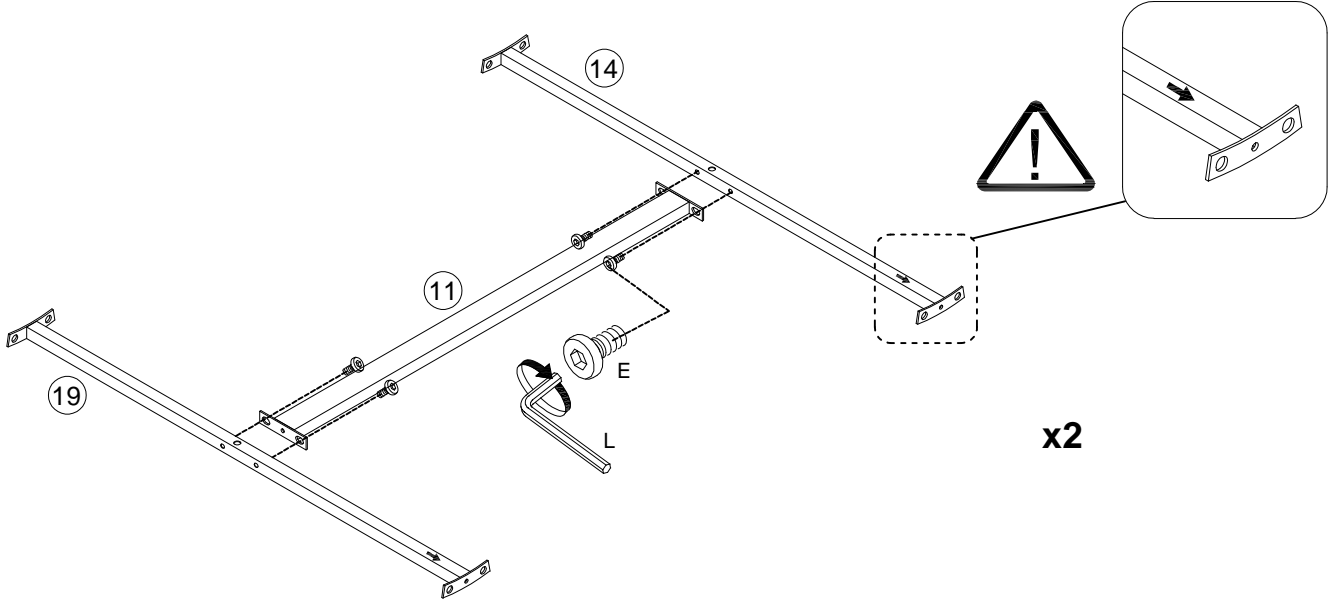
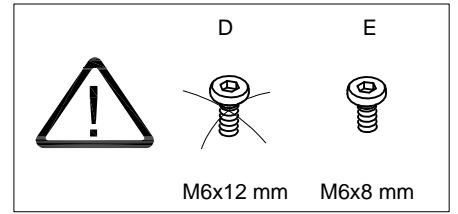
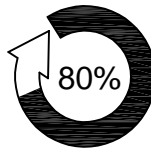
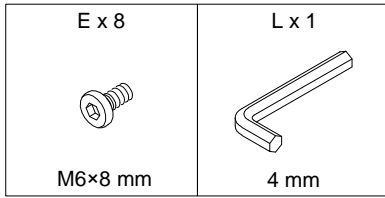
			✓
①	1	1000X400X25	
②	2	938X330X18	
③	1	1000X400X25	
④	1	1000X400X25	
⑤	1	963X364X30	
⑥	1	963X364X30	
⑦	1	963X364X30	
⑧	1	963X364X30	
⑨	4	170X362X70	
⑩	4	333X16X16	

			✓
⑪	2	597X70X15	
⑫	2	713X41X16	
⑬	2	713X41X16	
⑭	2	651X70X16	
⑮	2	80X80X96	
⑯	2	80X80X99	
⑰	4	710X578X12	
⑱	2	710X602X12	
⑲	2	651X70X16	

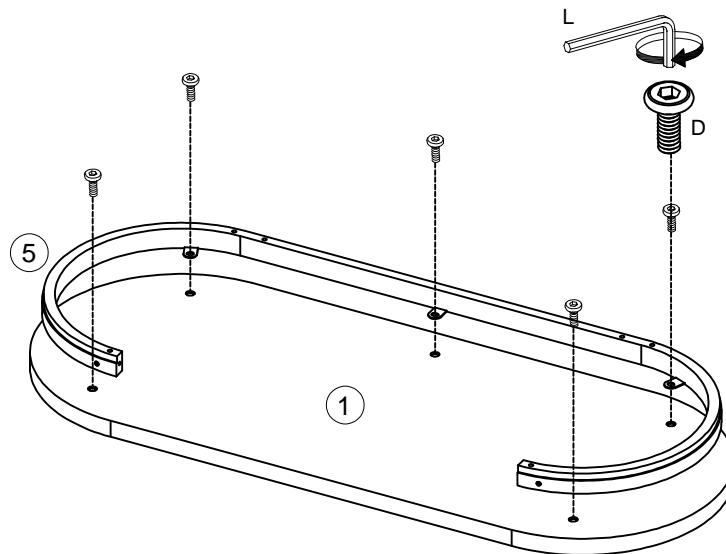
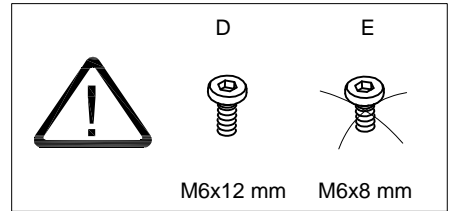
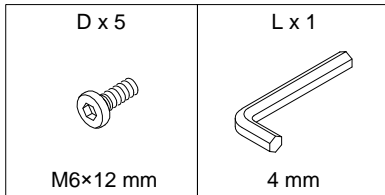


<p>A x 4</p>  <p>M6×65 mm</p>	<p>B x 4</p>  <p>M6×32 mm</p>	<p>C x 8</p>  <p>M6×28 mm</p>	<p>D x 45</p>  <p>M6×12 mm</p>	<p>E x 24</p>  <p>M6×8 mm</p>
<p>F x 8</p>  <p>M6×30 mm</p>	<p>G x 8</p>  <p>M5×20 mm</p>	<p>H x 2</p>  <p>Ø4×16 mm</p>	<p>J x 4</p>  <p>Ø6/Ø16 mm</p>	<p>K x 2</p>  <p>L=150mm</p>
<p>L x 1</p>  <p>4 mm</p>	<p>M x 1</p>  <p>3 mm</p>			

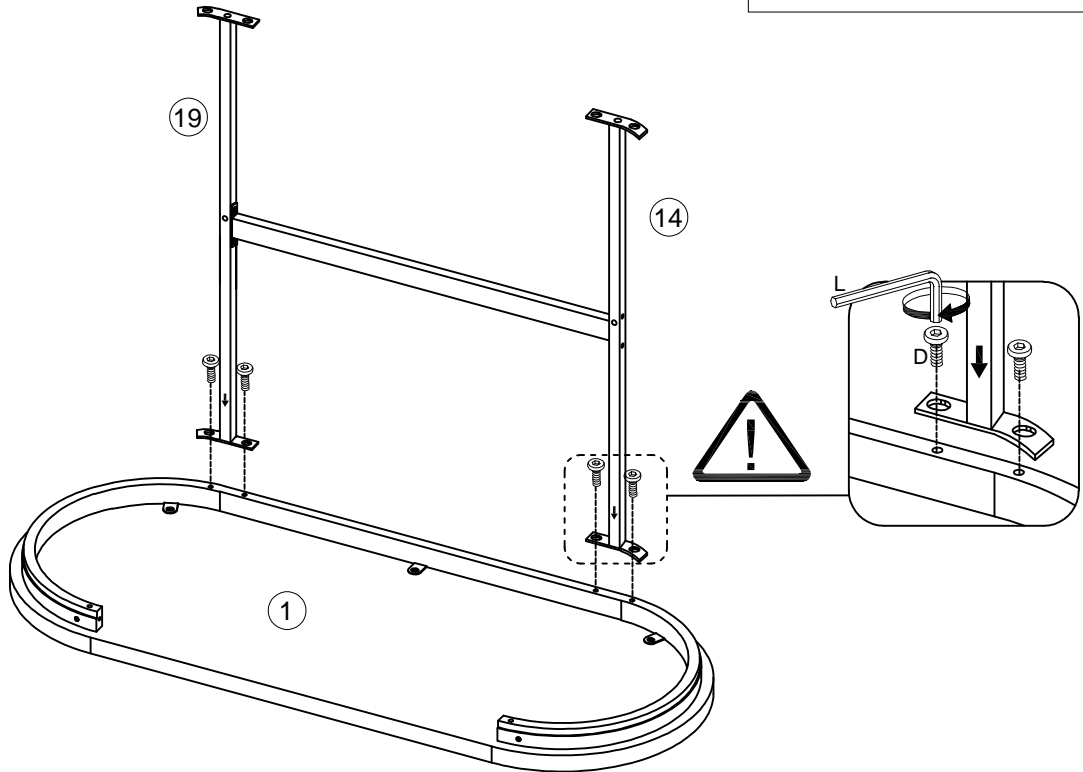
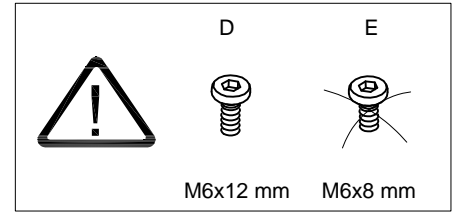
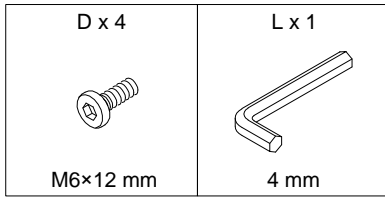
1



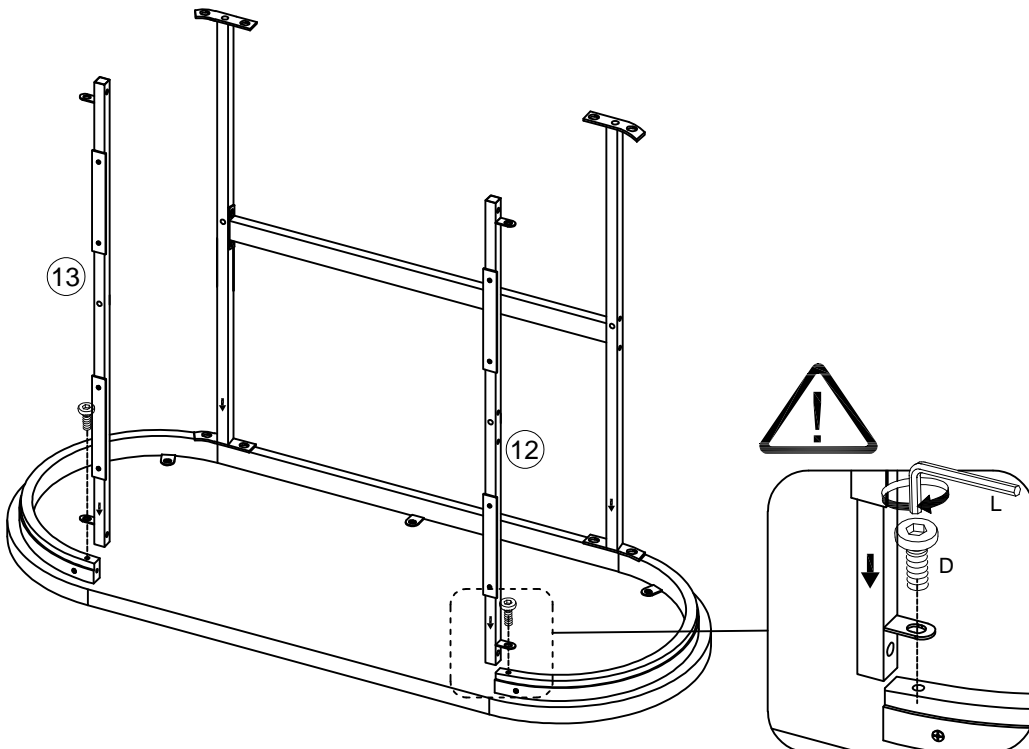
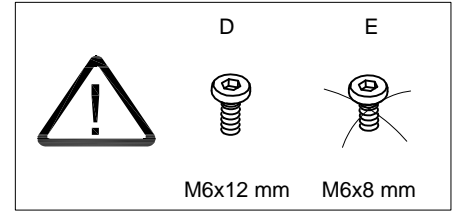
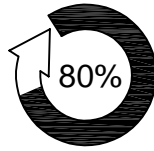
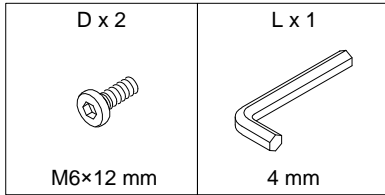
2



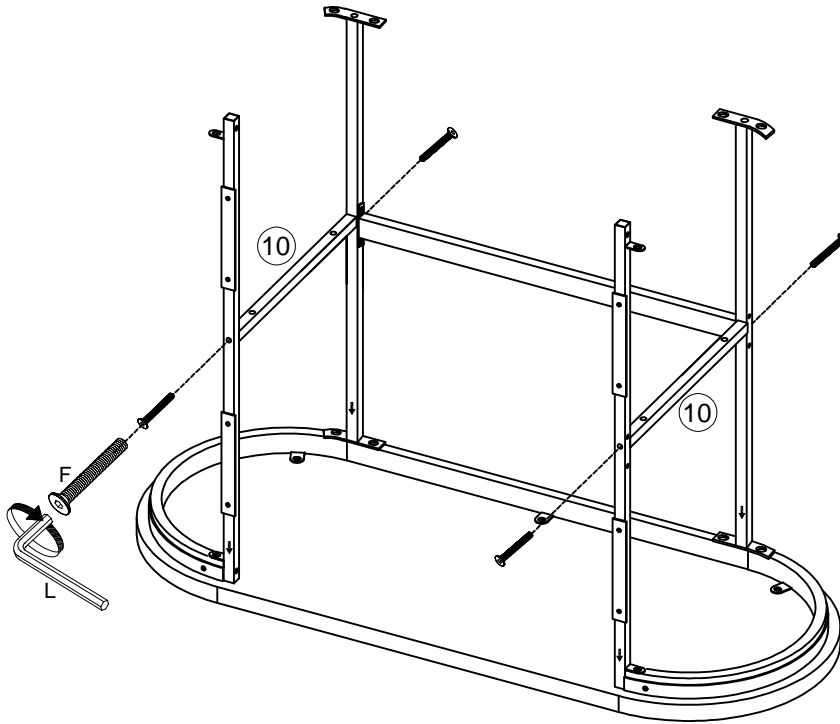
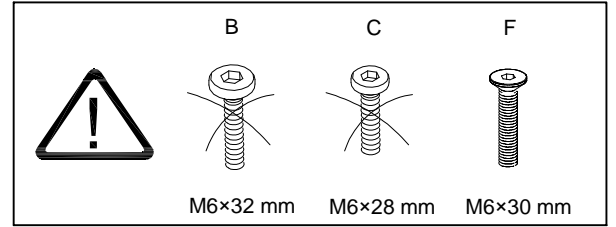
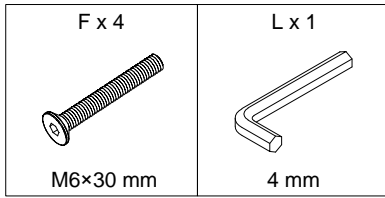
3



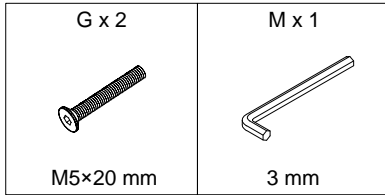
4



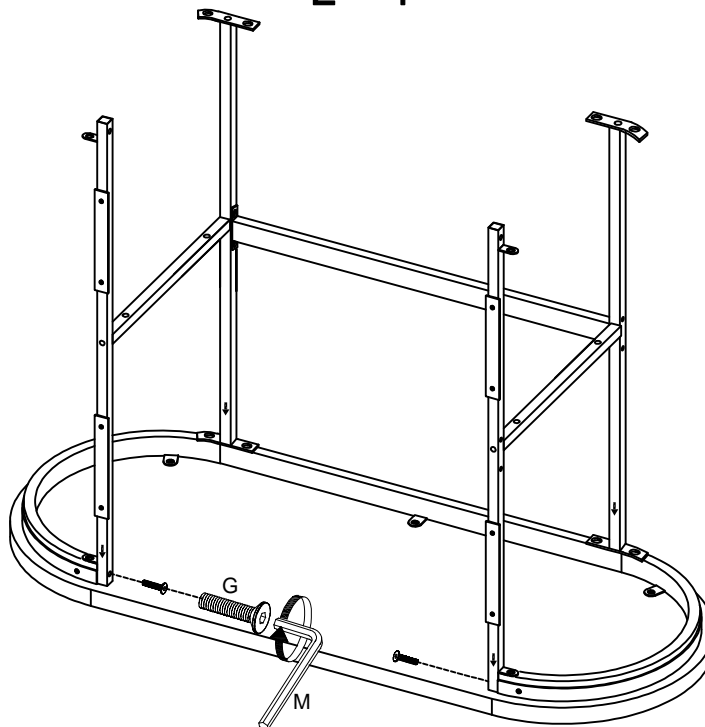
5



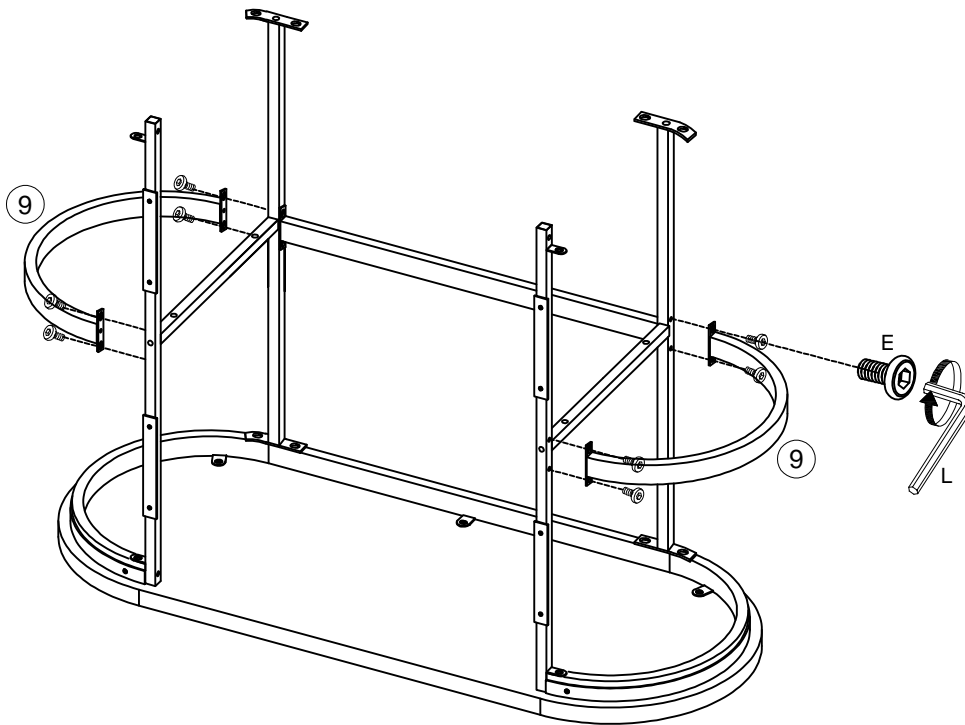
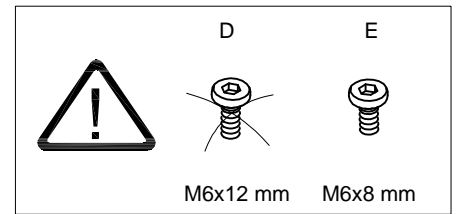
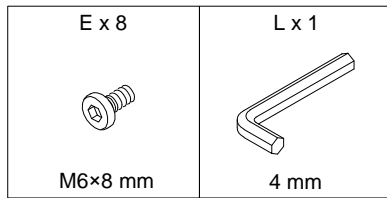
6



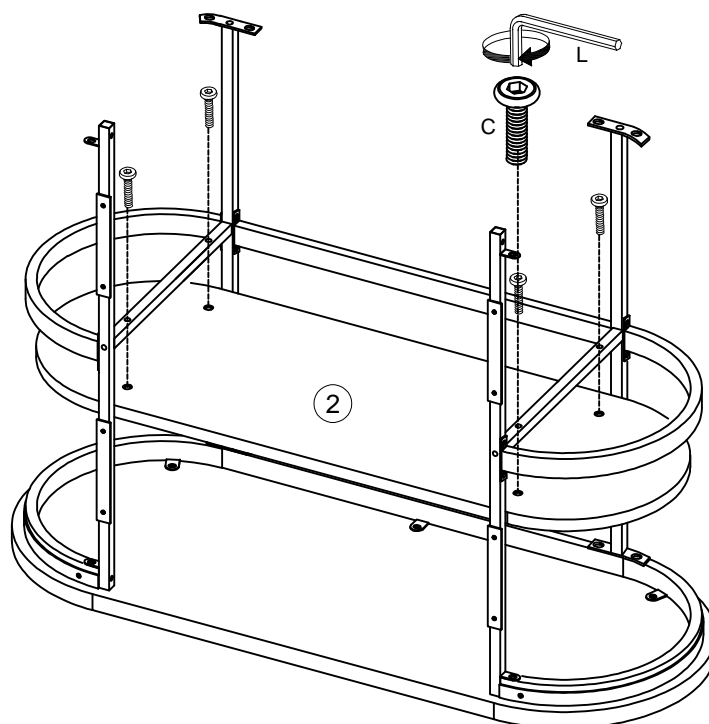
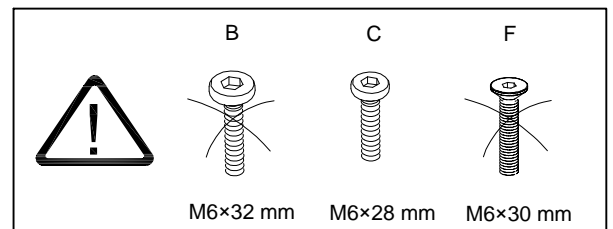
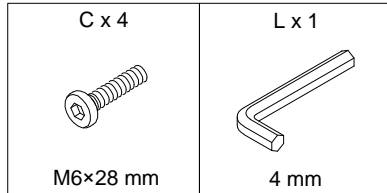
D x 6
E x 4



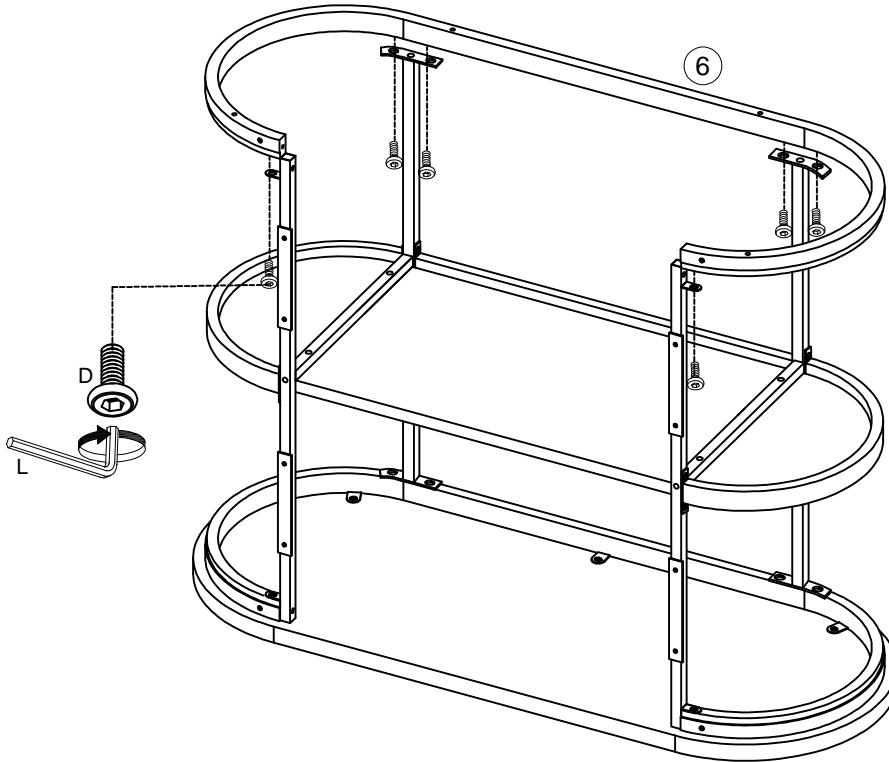
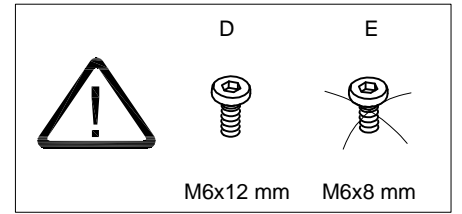
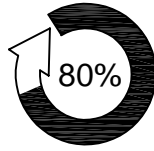
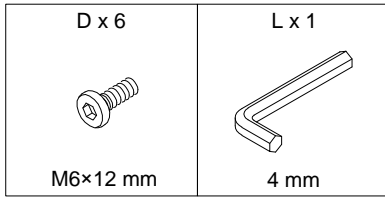
7



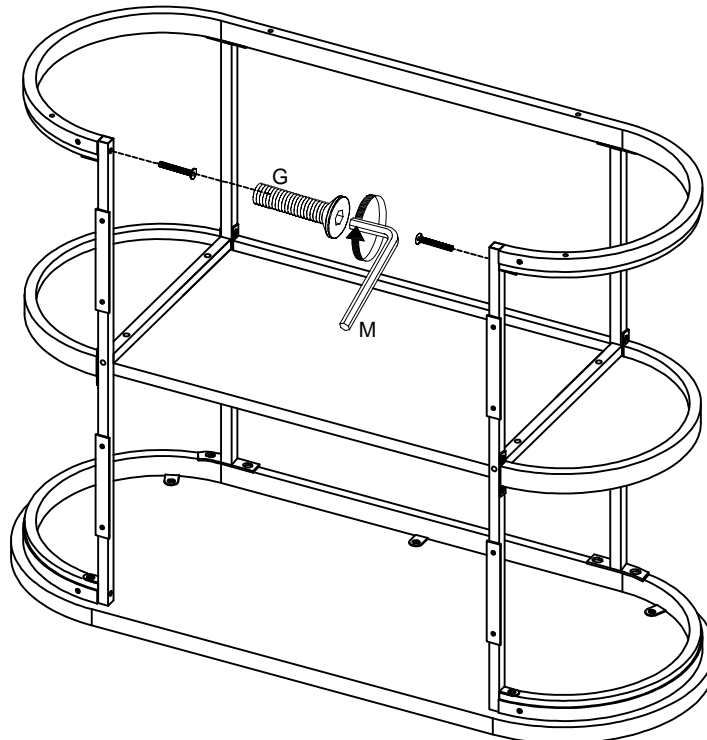
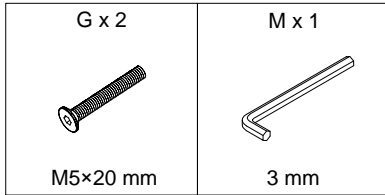
8



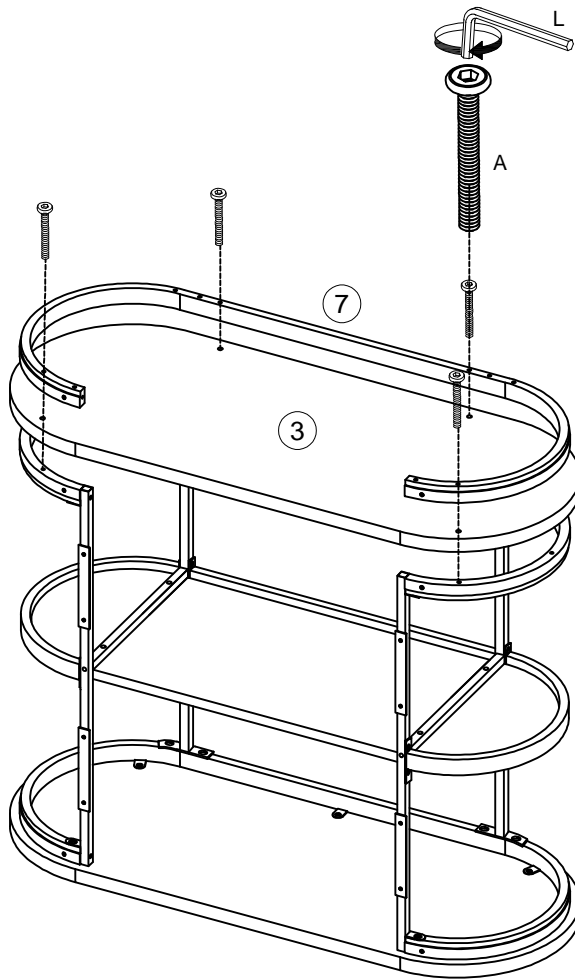
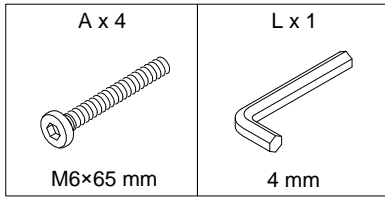
9



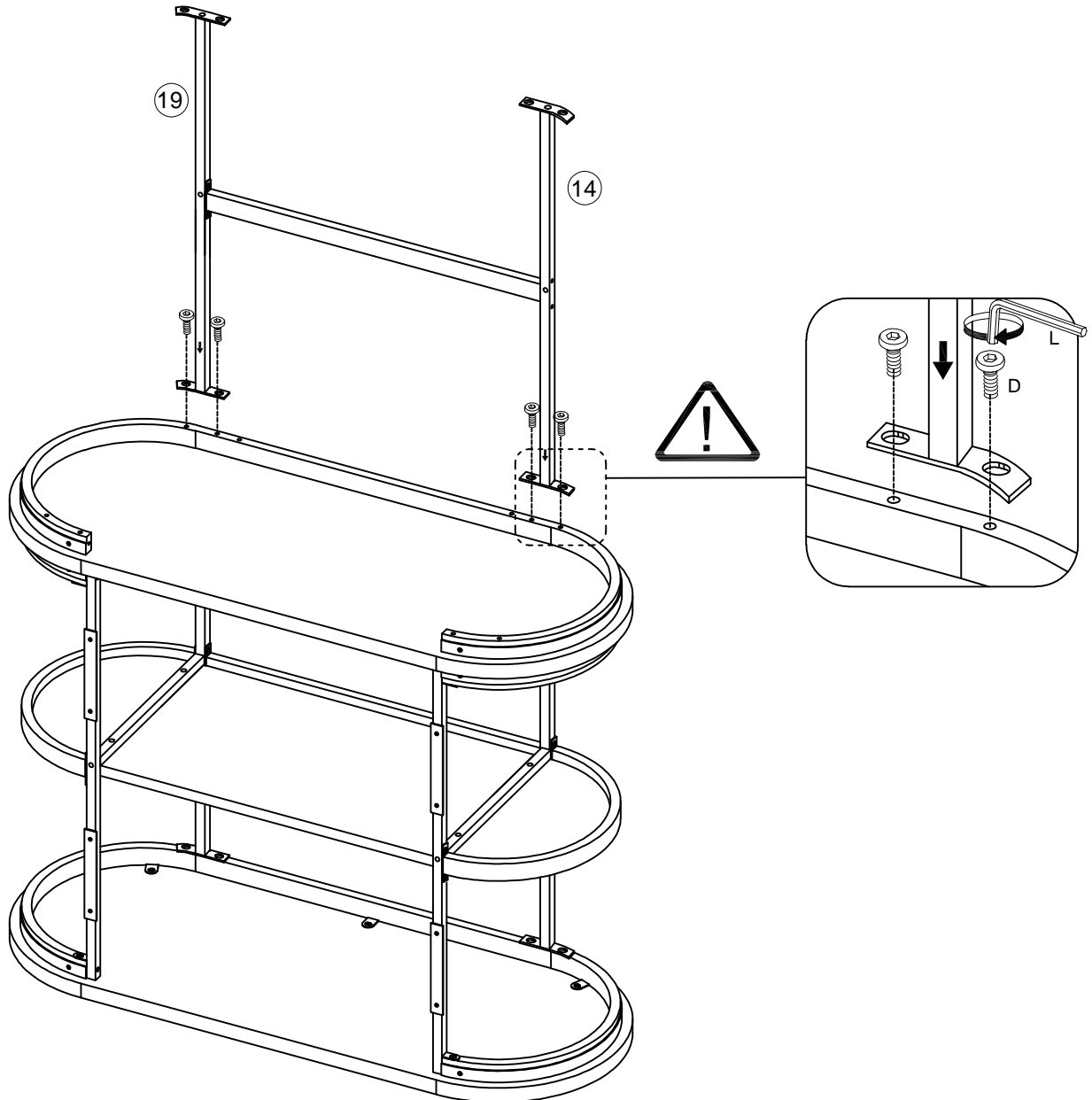
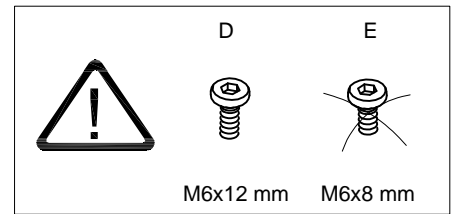
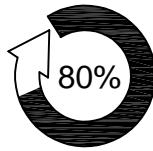
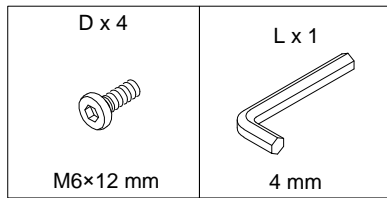
10



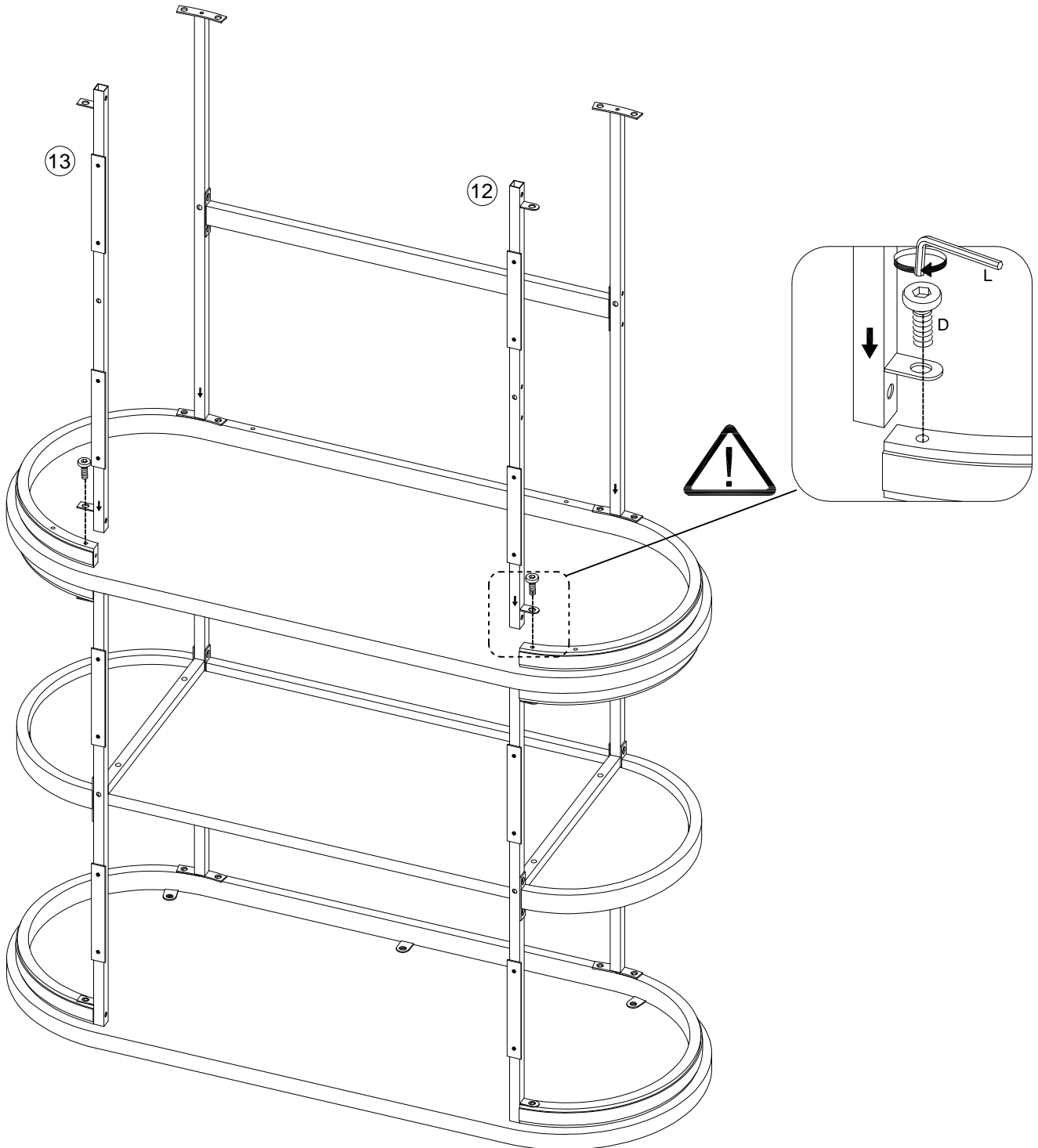
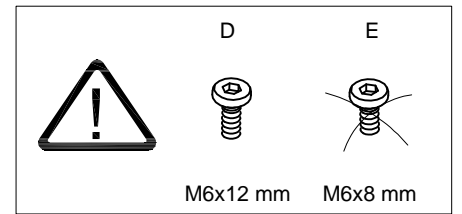
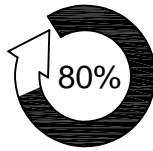
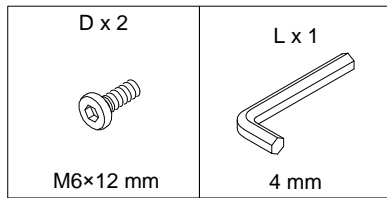
11



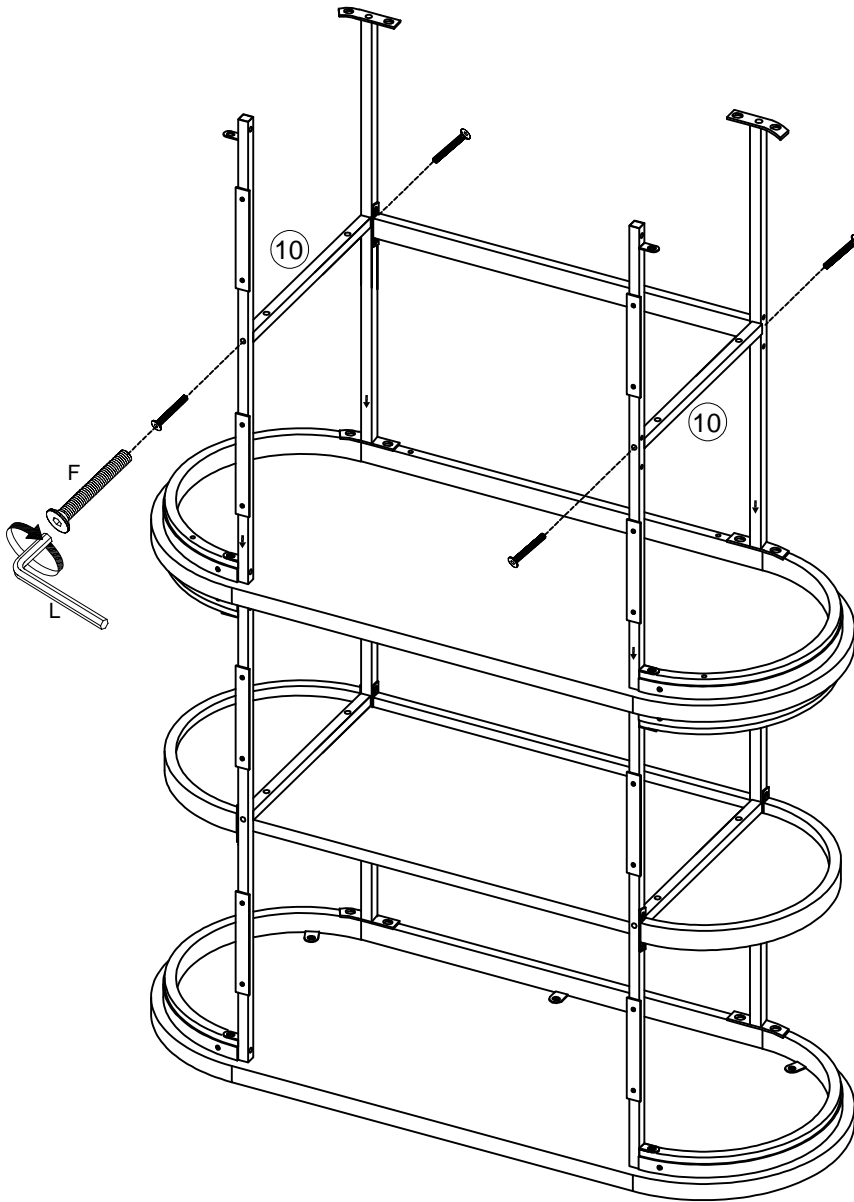
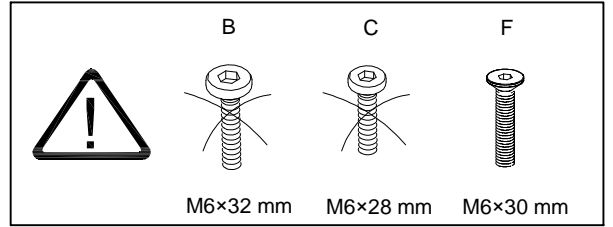
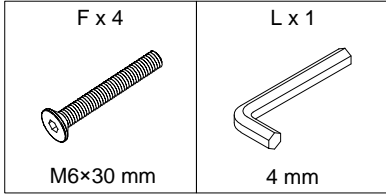
12



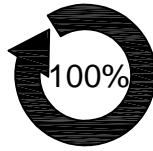
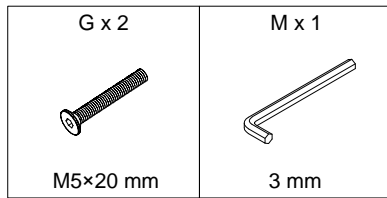
13



14

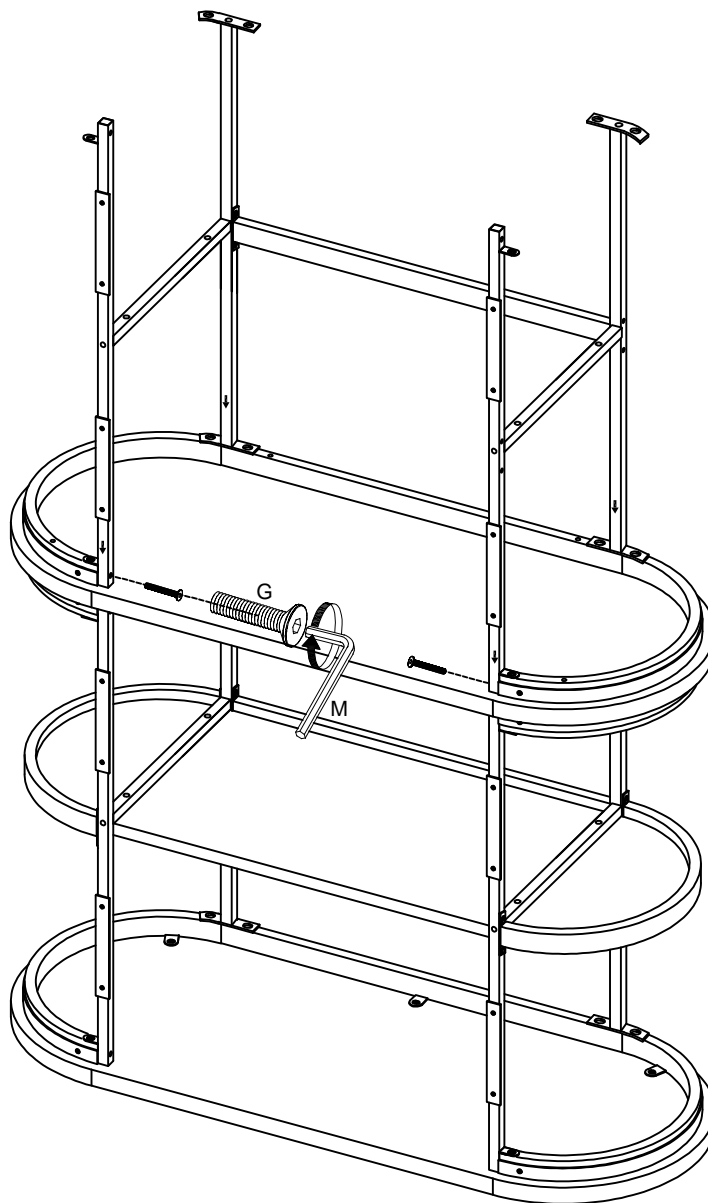


15

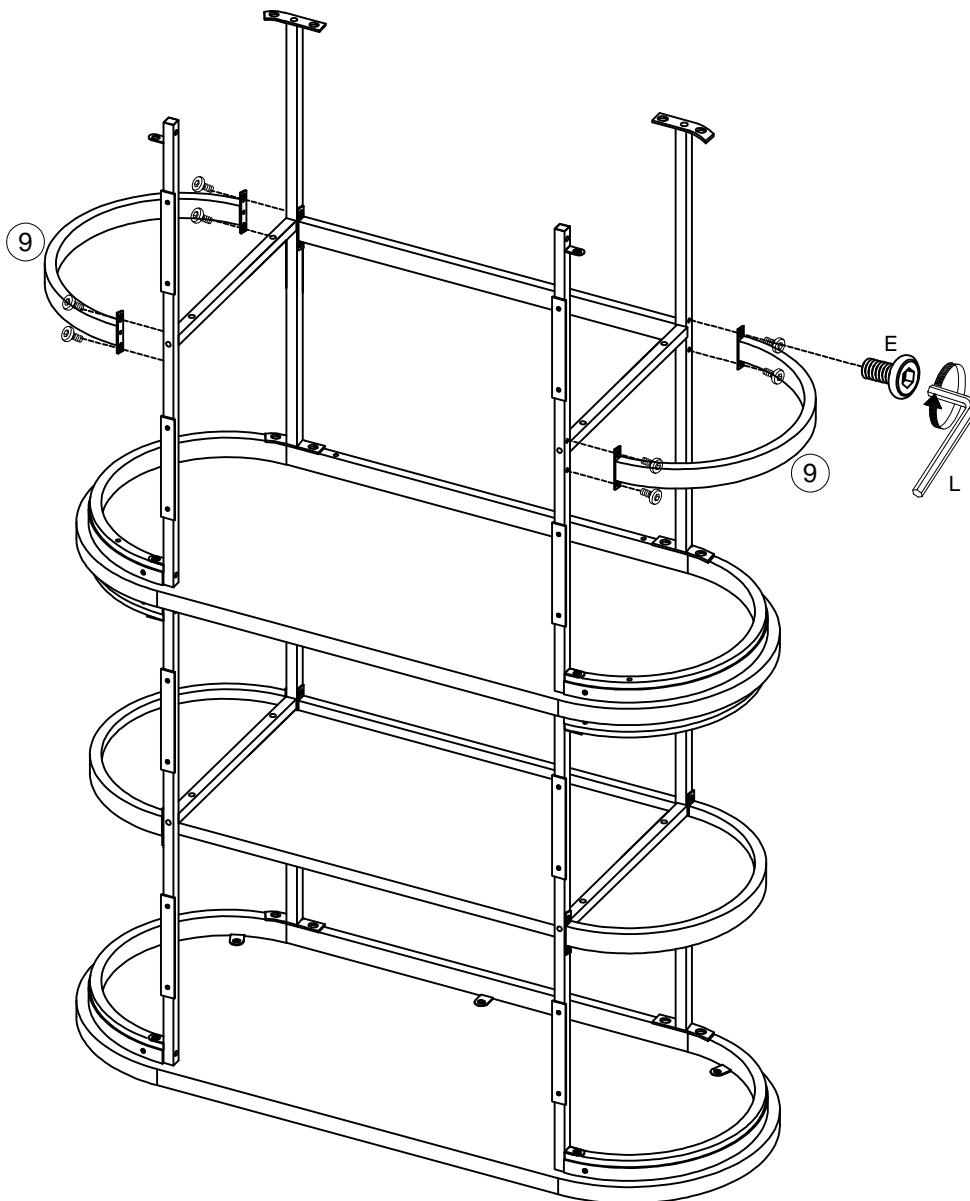
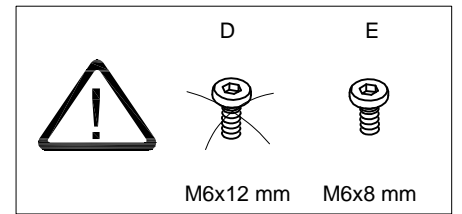
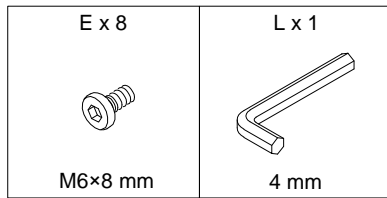


D x 6

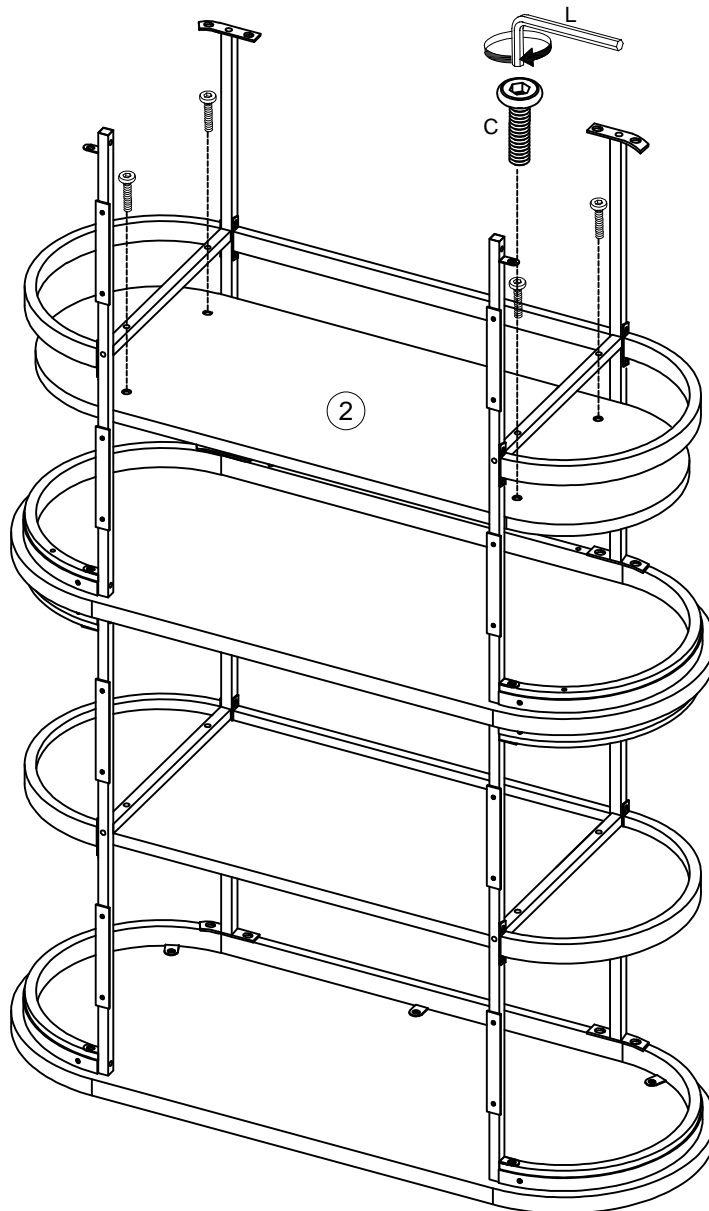
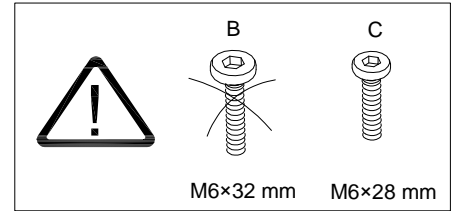
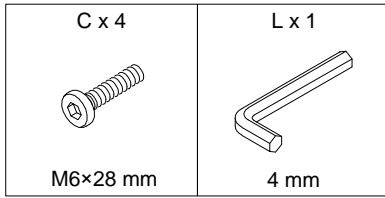
E x 4



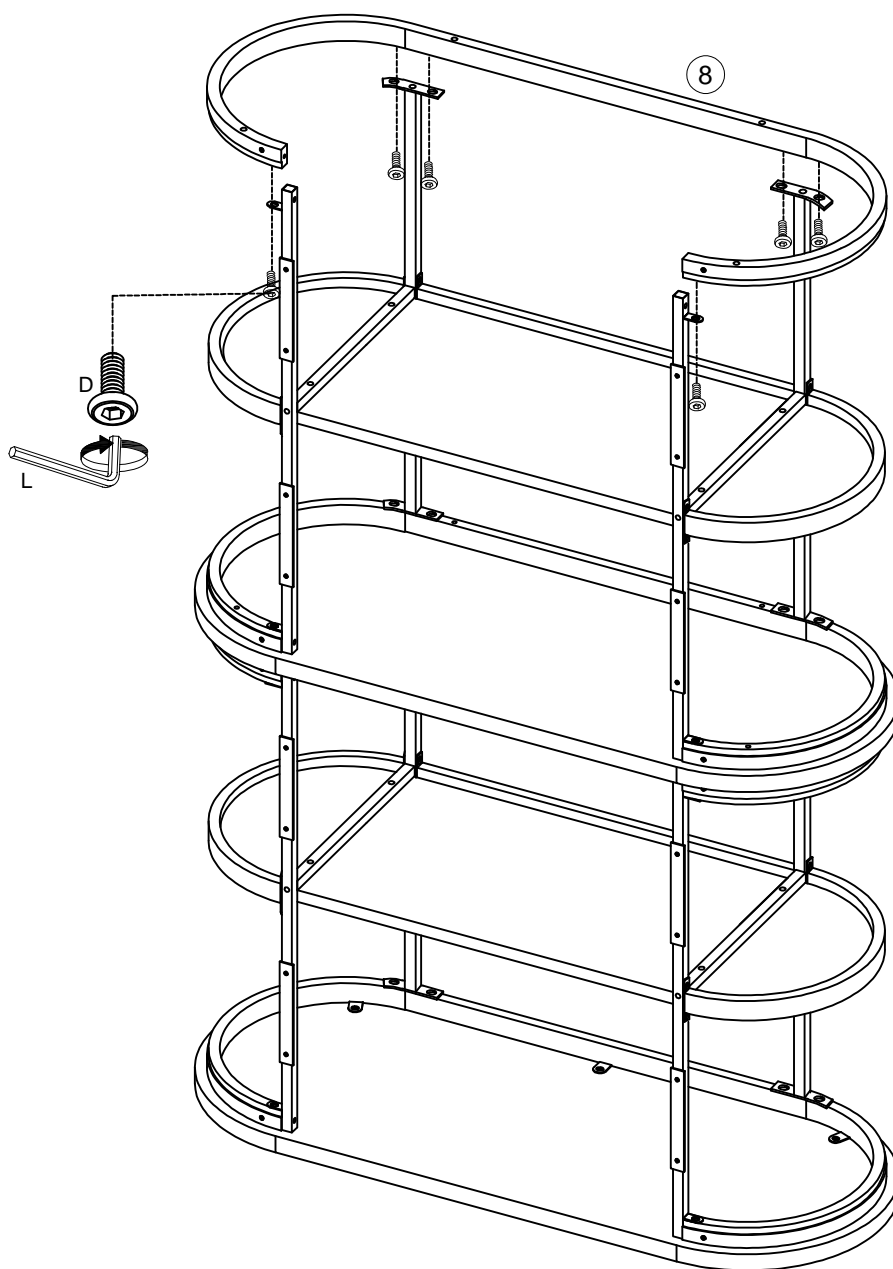
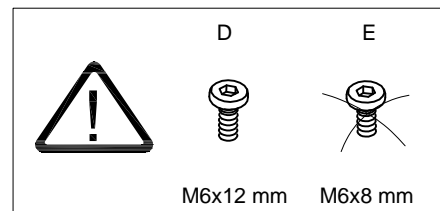
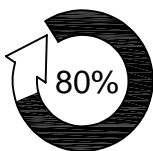
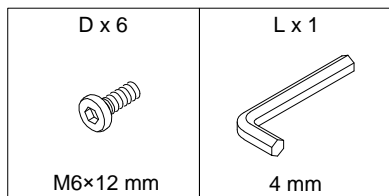
16



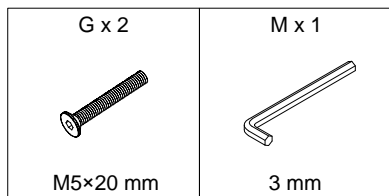
17



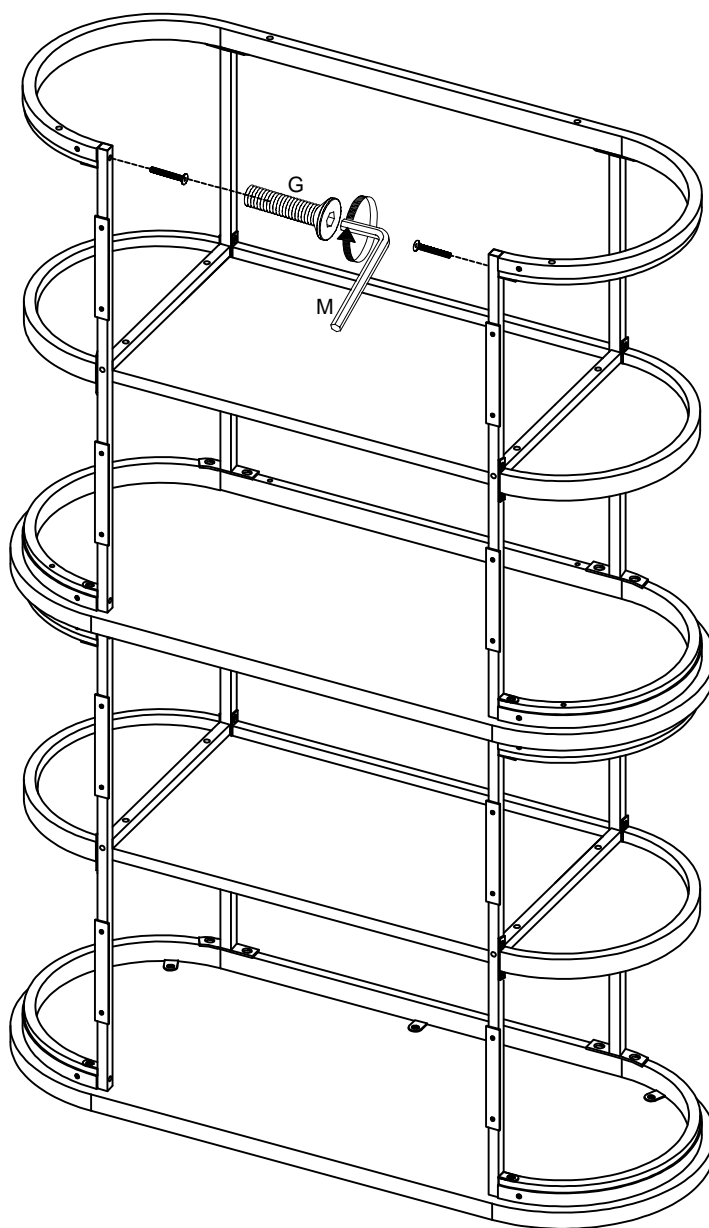
18



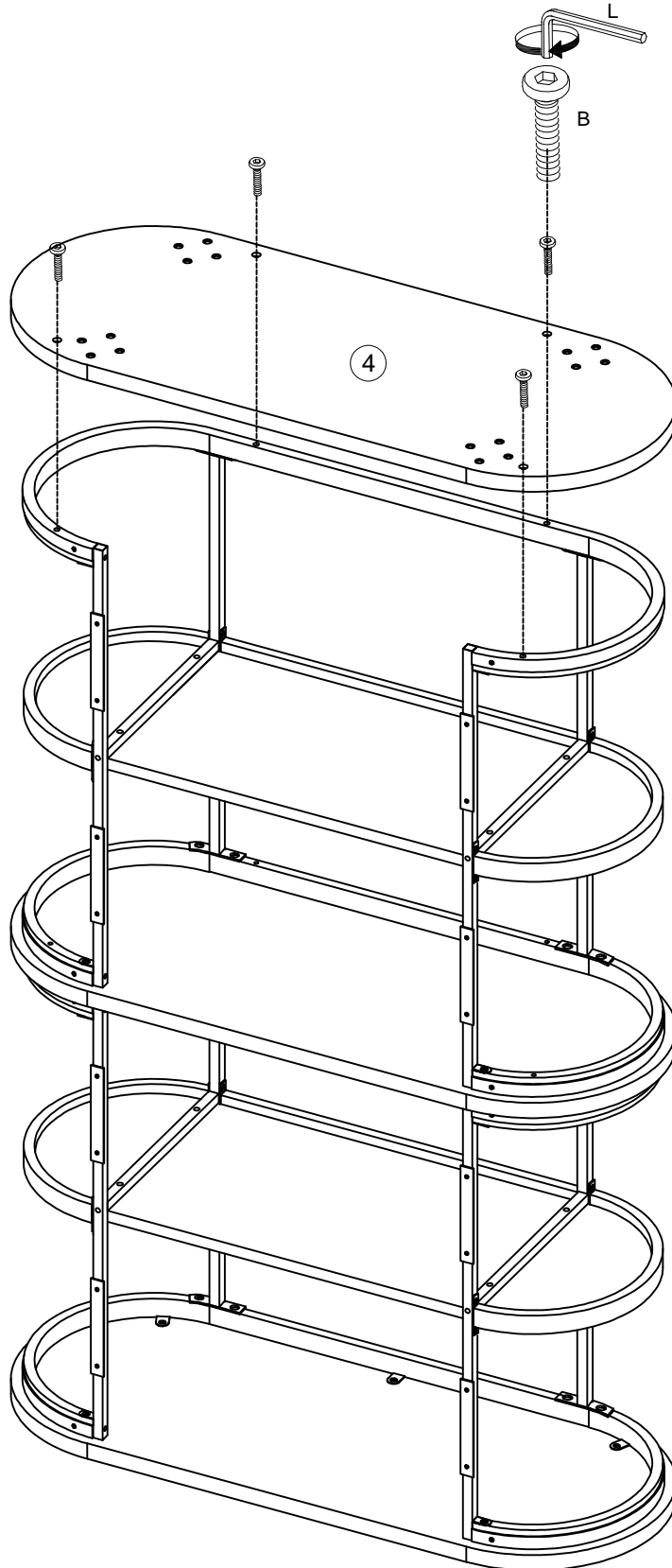
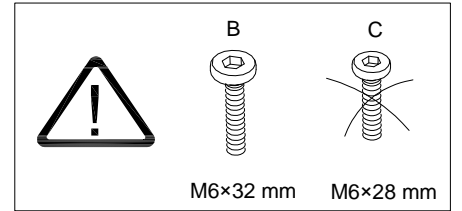
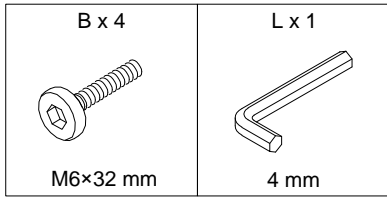
19



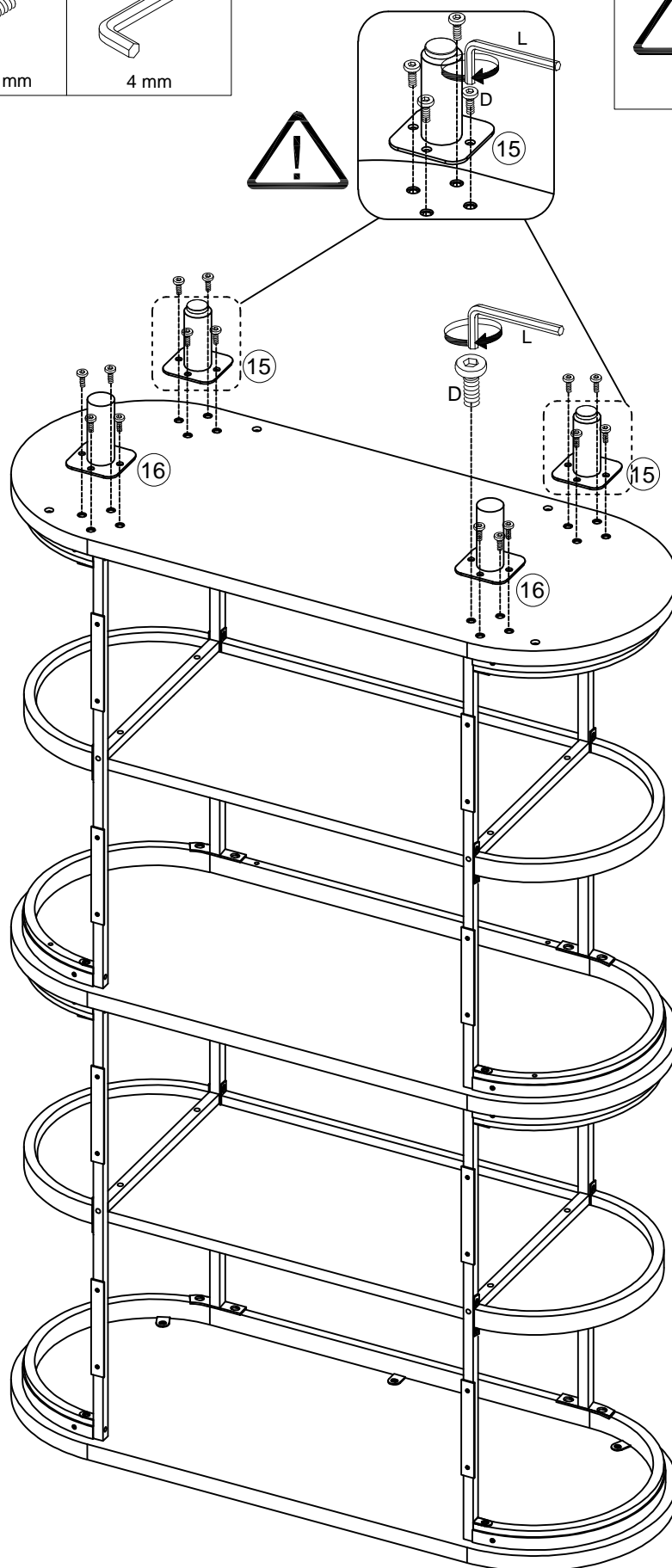
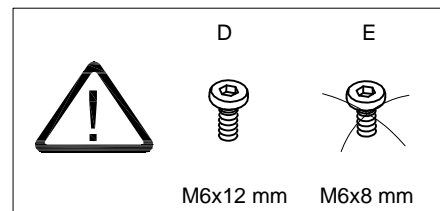
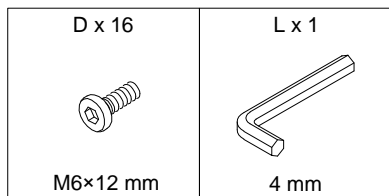
D x 6

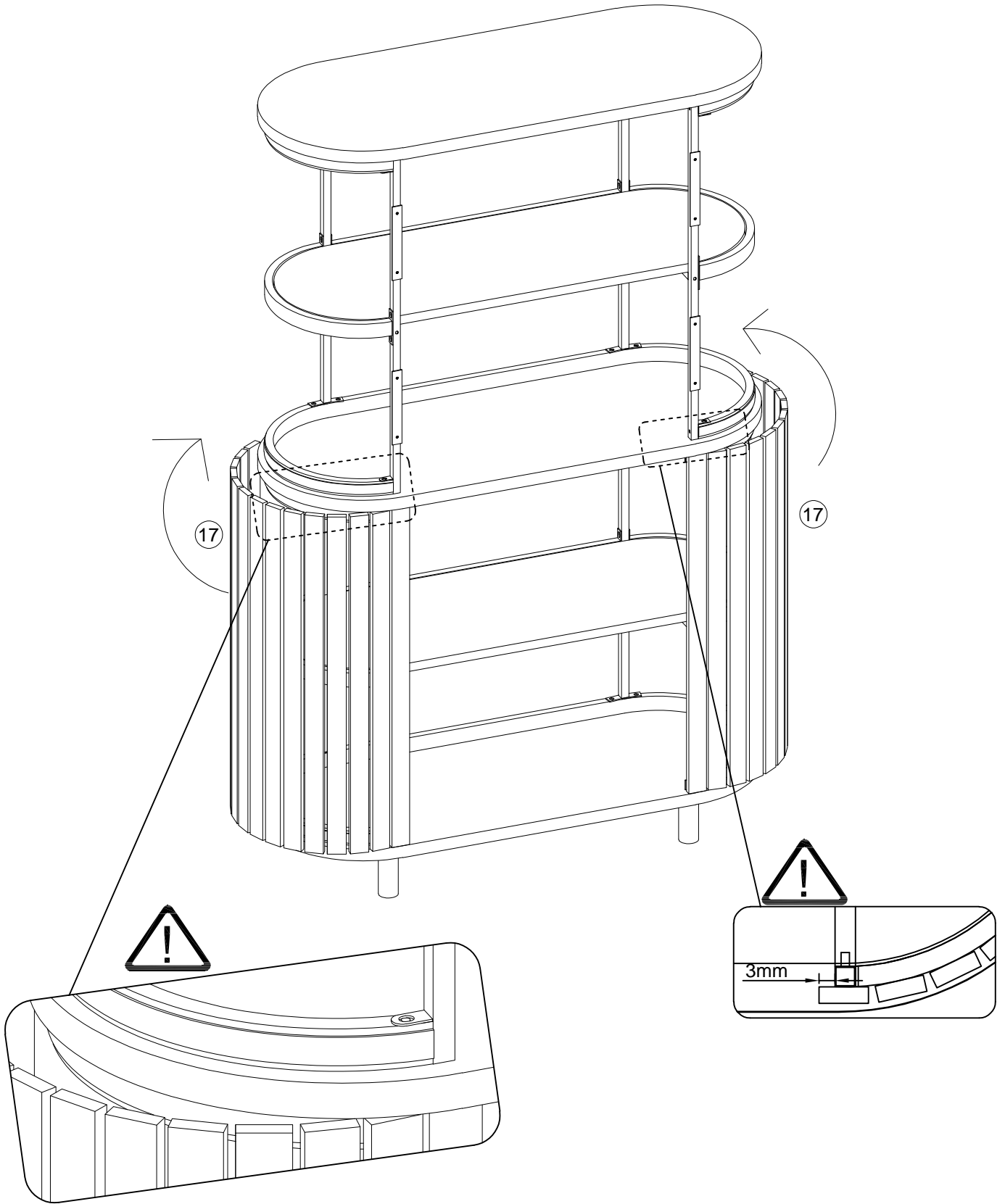


20

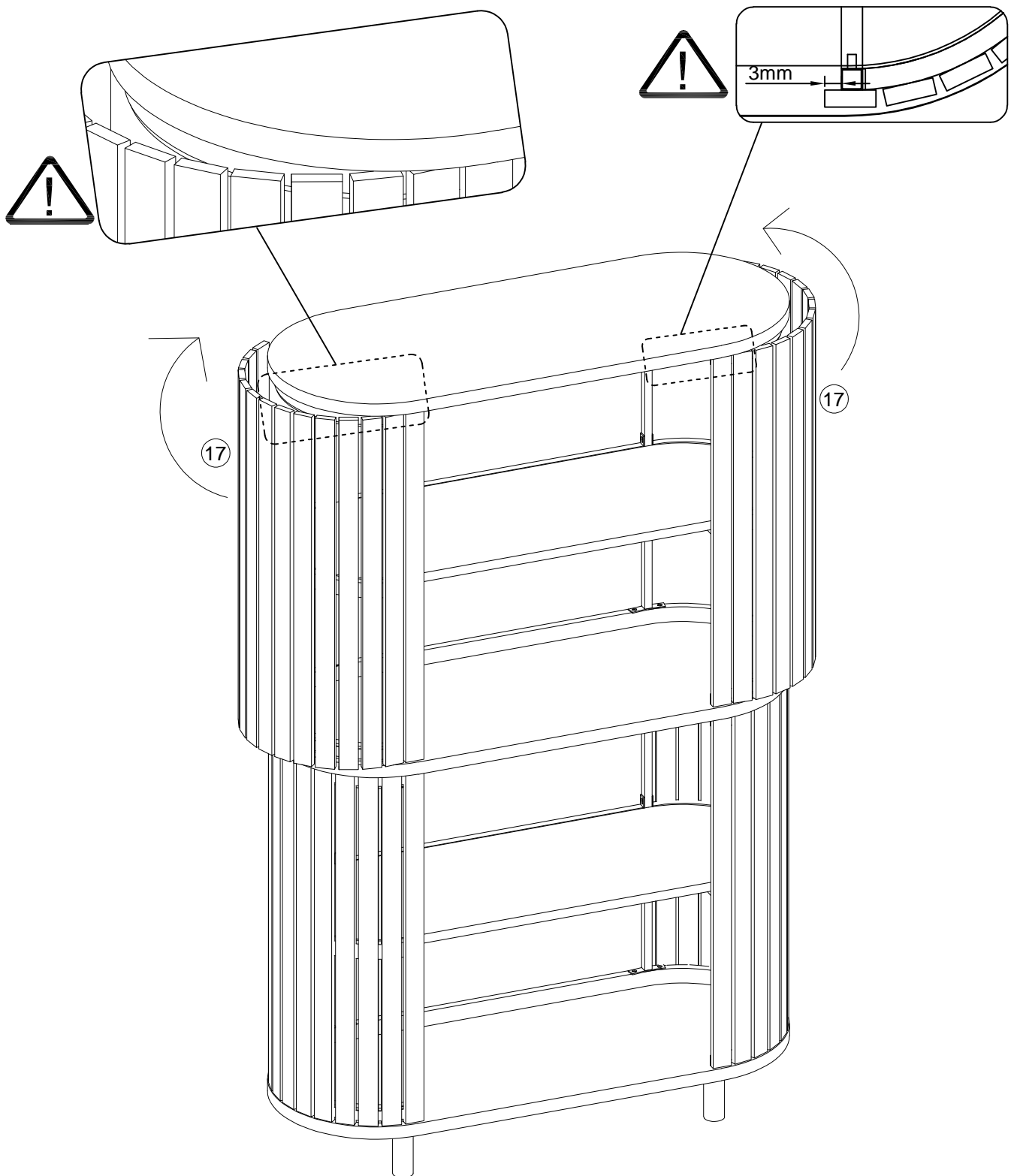


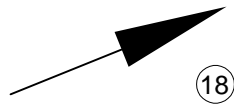
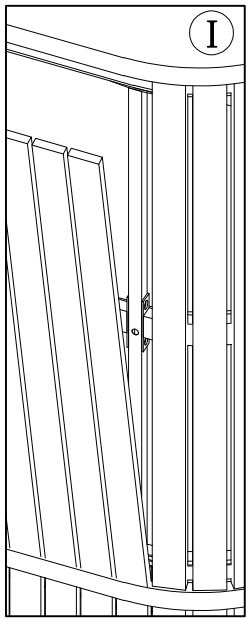
21



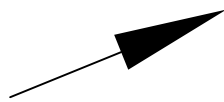


23

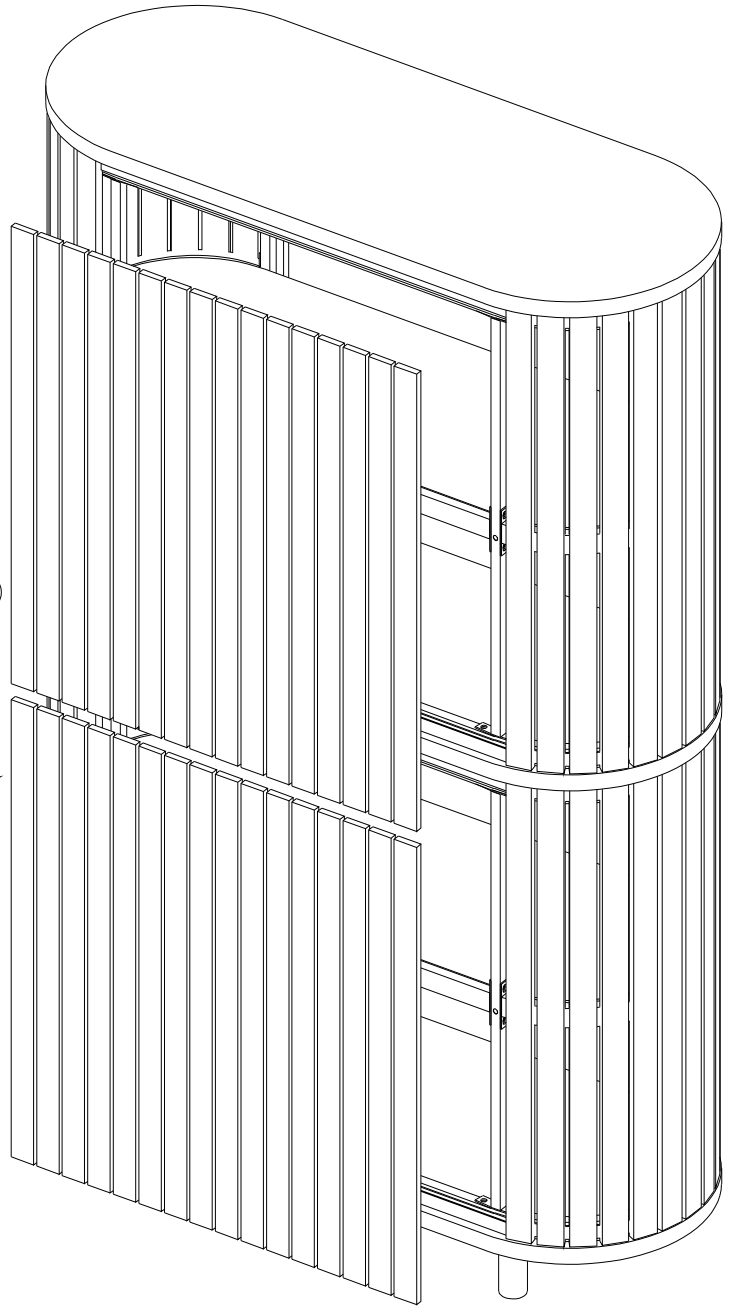







18

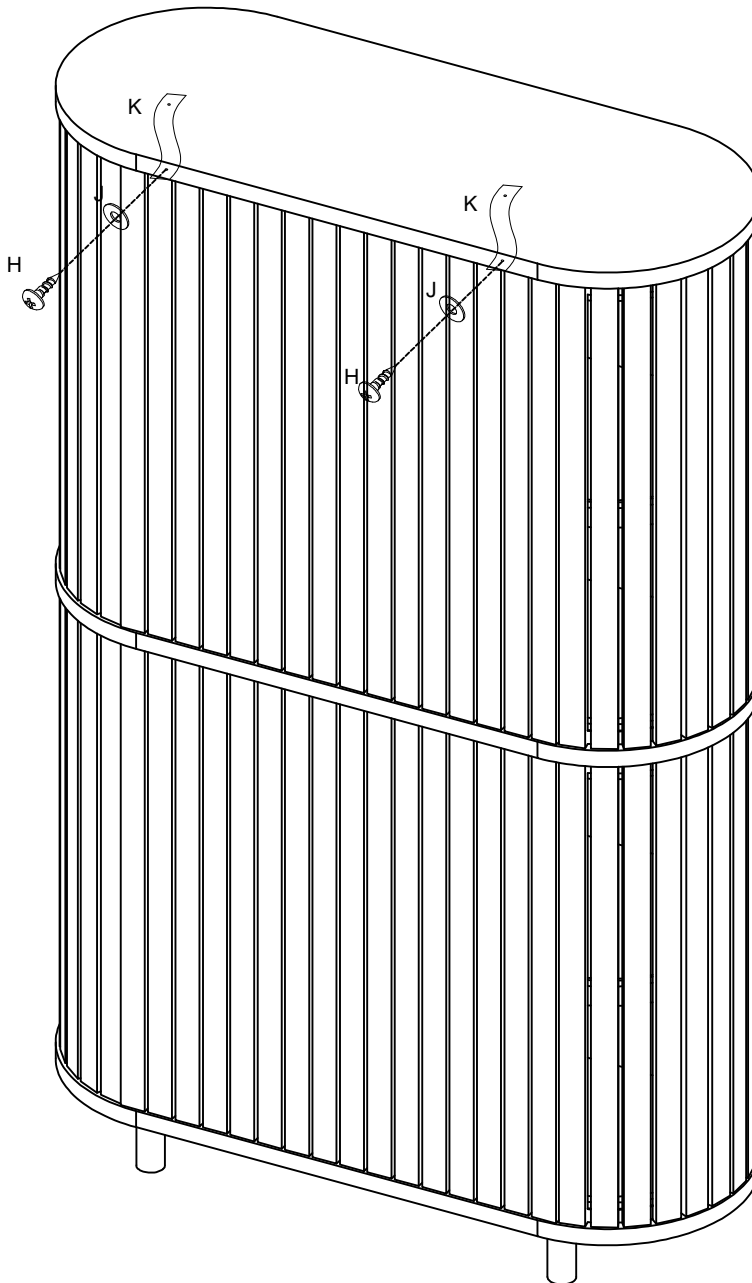


18

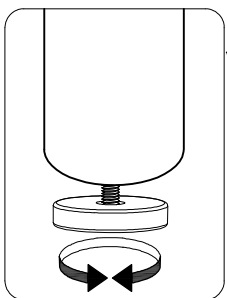
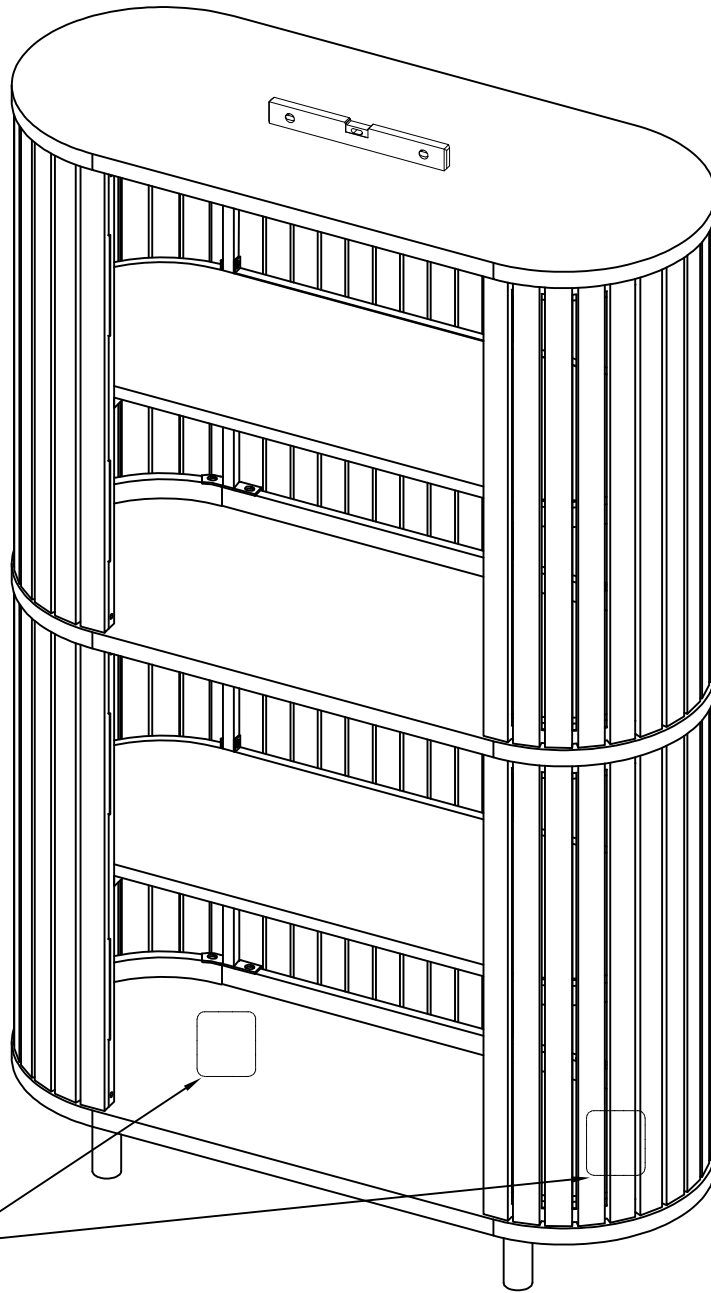
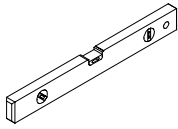


25

H x 2  Ø4x16 mm	J x 2  Ø6/Ø16 mm	K x 2  L=150mm
--	---	---



26



27

