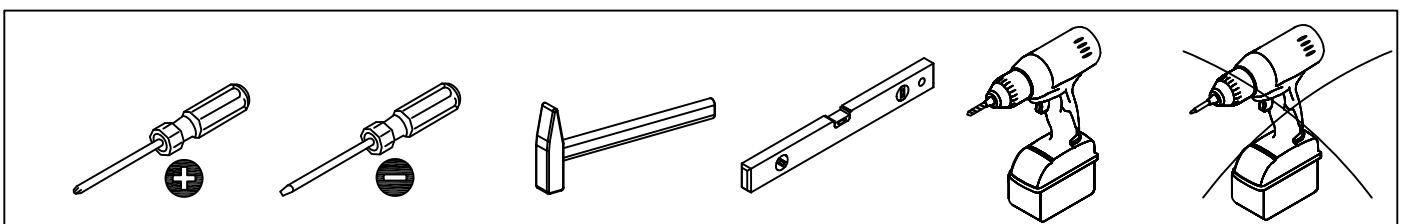
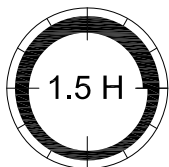
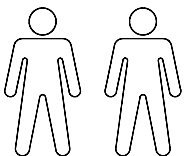
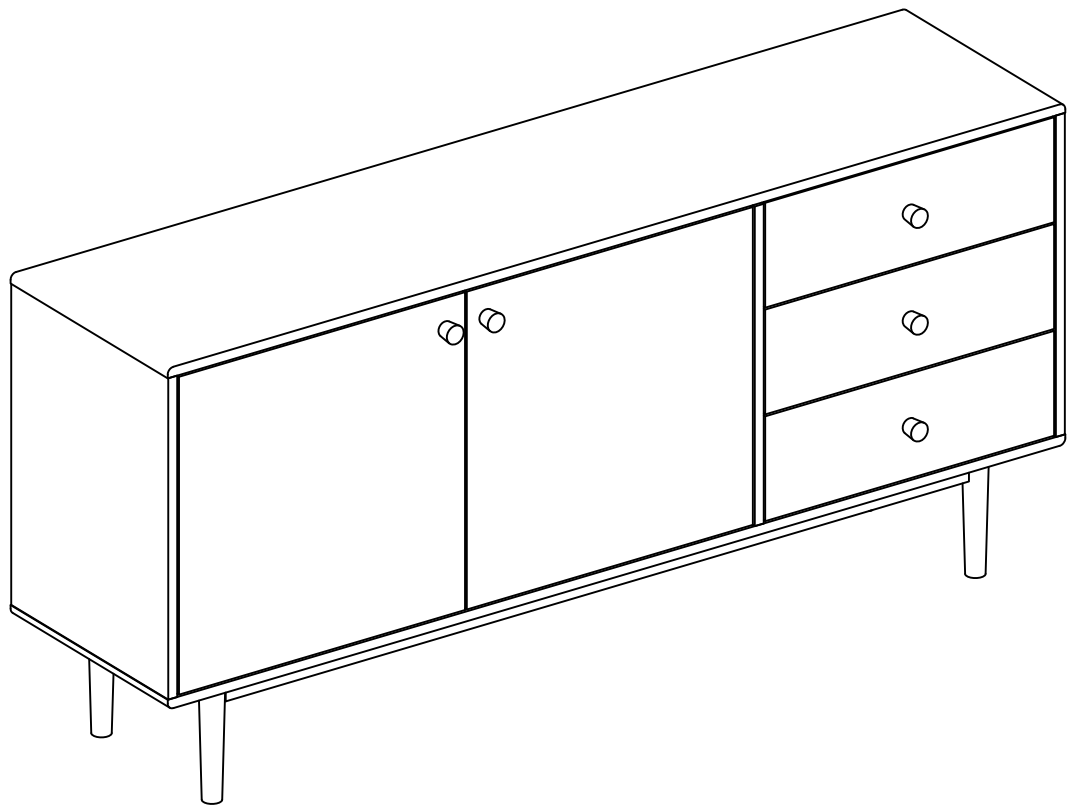
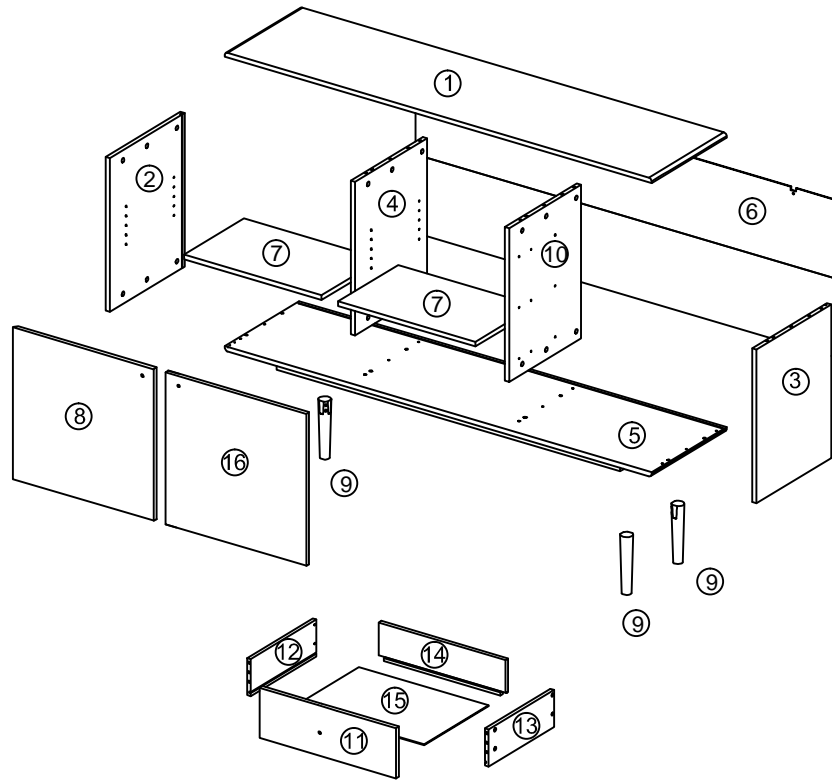


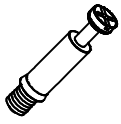
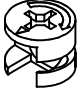

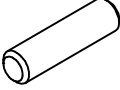





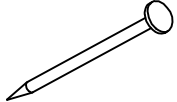
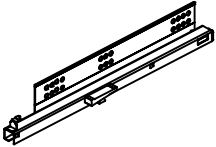
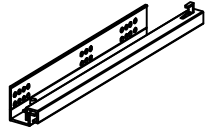



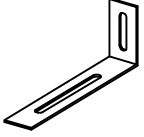

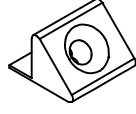
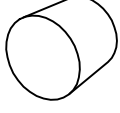



# ASTON



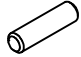
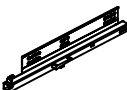
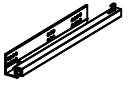

			✓
①	1	1600x400x16	
②	1	519x399x16.5	
③	1	519x399x16.5	
④	1	519x363x16.5	
⑤	1	1600x400x59	
⑥	1	1578x531x3	
⑦	2	503x358x16	
⑧	1	513x509x17	

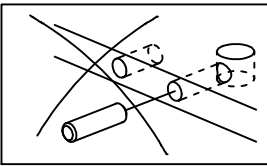
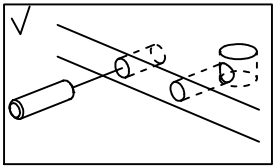
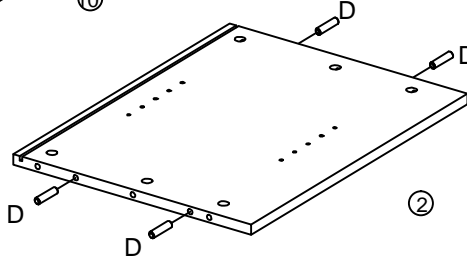
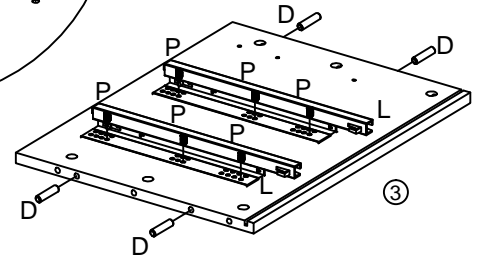
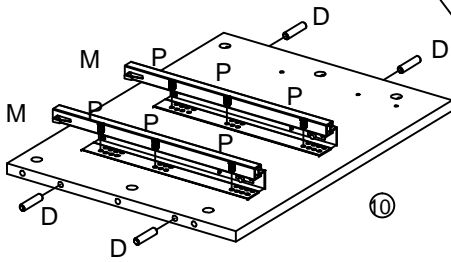
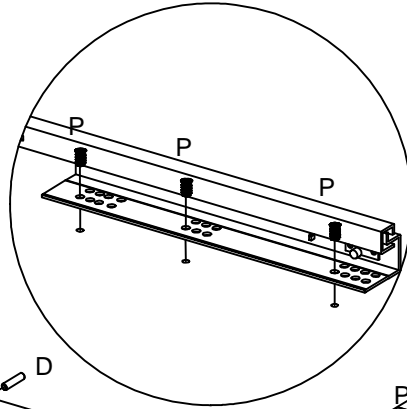
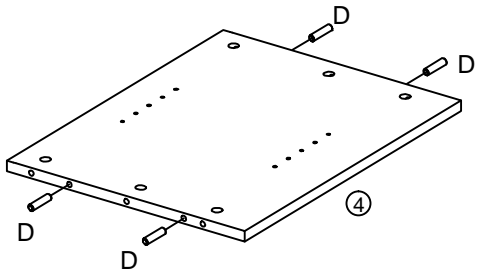
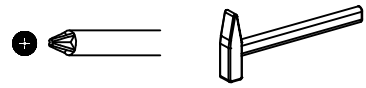
			✓
⑨	4	200xφ40/φ30	
⑩	1	519x381x16.5	
⑪	3	515x169x17	
⑫	3	350x125x14	
⑬	3	350x125x14	
⑭	3	479x123x14	
⑮	3	491x347x3	
⑯	1	513x509x17	







<p>A x36</p>  <p>∅7x34mm</p>	<p>B x36</p>  <p>∅15x11mm</p>	<p>C x4</p>  <p>∅35mm</p>	<p>D x22</p>  <p>∅8x30mm</p>	<p>E x8</p>  <p>M6x60mm</p>
<p>F x8</p>  <p>M6mm</p>	<p>G x8</p>  <p>M6mm</p>	<p>H x20</p>  <p>∅3x20mm</p>	<p>J x12</p>  <p>∅3.5x35mm</p>	<p>K x12</p>  <p>1.2x20mm</p>
<p>L x3</p>  <p>350mm</p>	<p>M x3</p>  <p>350mm</p>	<p>N x1</p>  <p>4mm</p>	<p>P x18</p>  <p>∅5.8x11mm</p>	<p>Q x8</p>  <p>∅5</p>
<p>R x2</p>  <p>75x15x25mm</p>	<p>S x6</p>  <p>∅4/∅12mm</p>	<p>T x20</p>  <p>15x15x10mm</p>	<p>U x5</p>  <p>∅25x25mm</p>	<p>V x5</p>  <p>M4x22mm</p>
<p>W x24</p>  <p>∅3.5x15mm</p>	<p>X x12</p>  <p>∅20mm</p>			

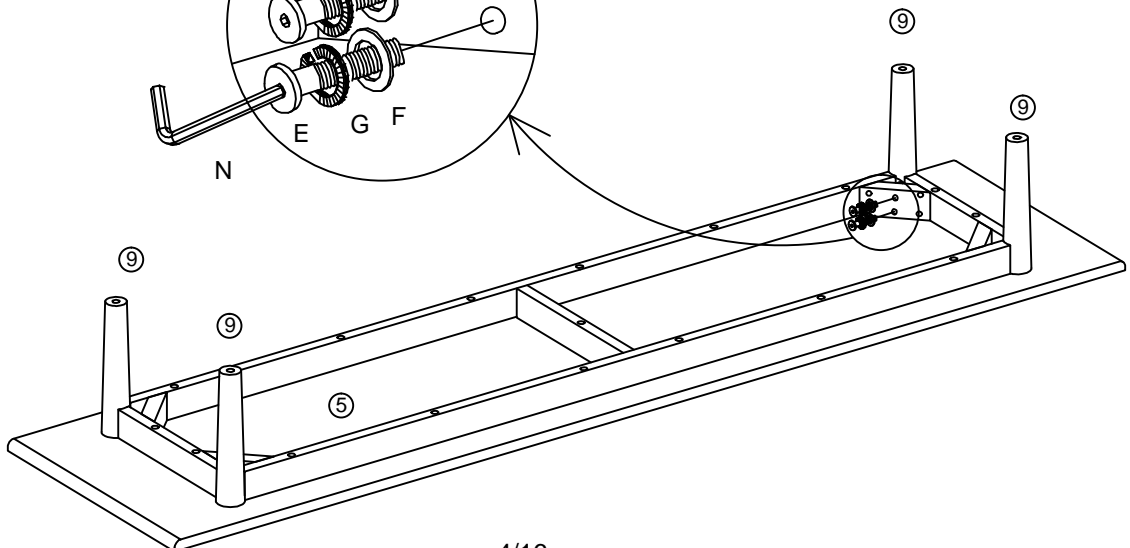
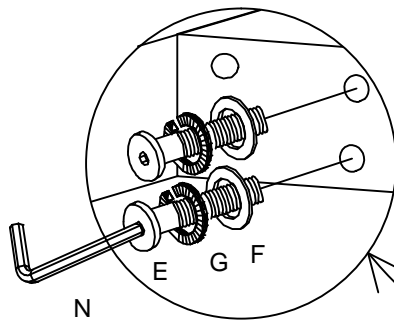
# 1

D x16  ∅8x30mm	L x2  350mm	M x2  350mm	P x12  ∅5.8x11mm
---	--	--	---

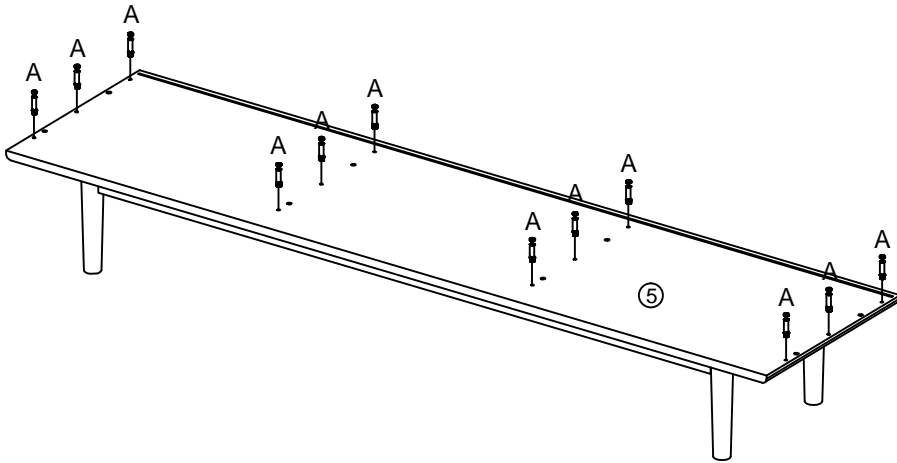
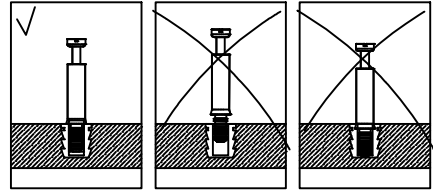
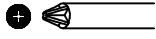
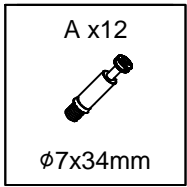


# 2

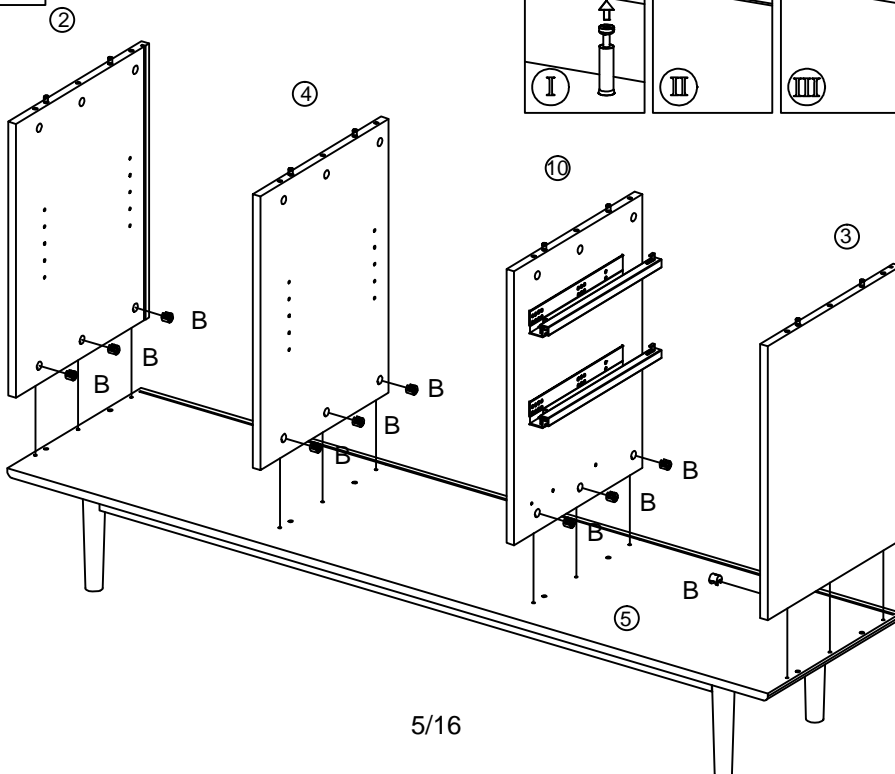
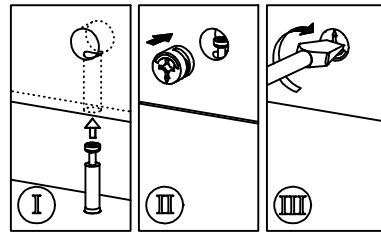
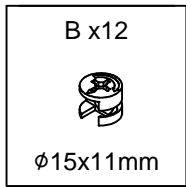
E x8  M6x60mm	F x8  M6mm	G x8  M6mm	N x1  4mm
--	---	---	--



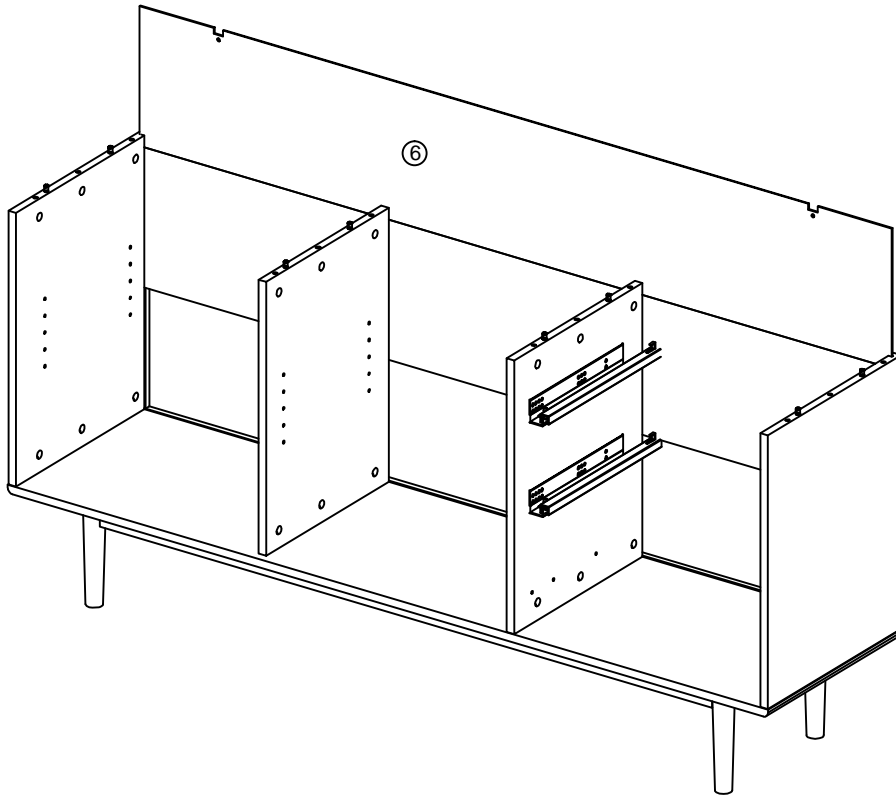
# 3



# 4

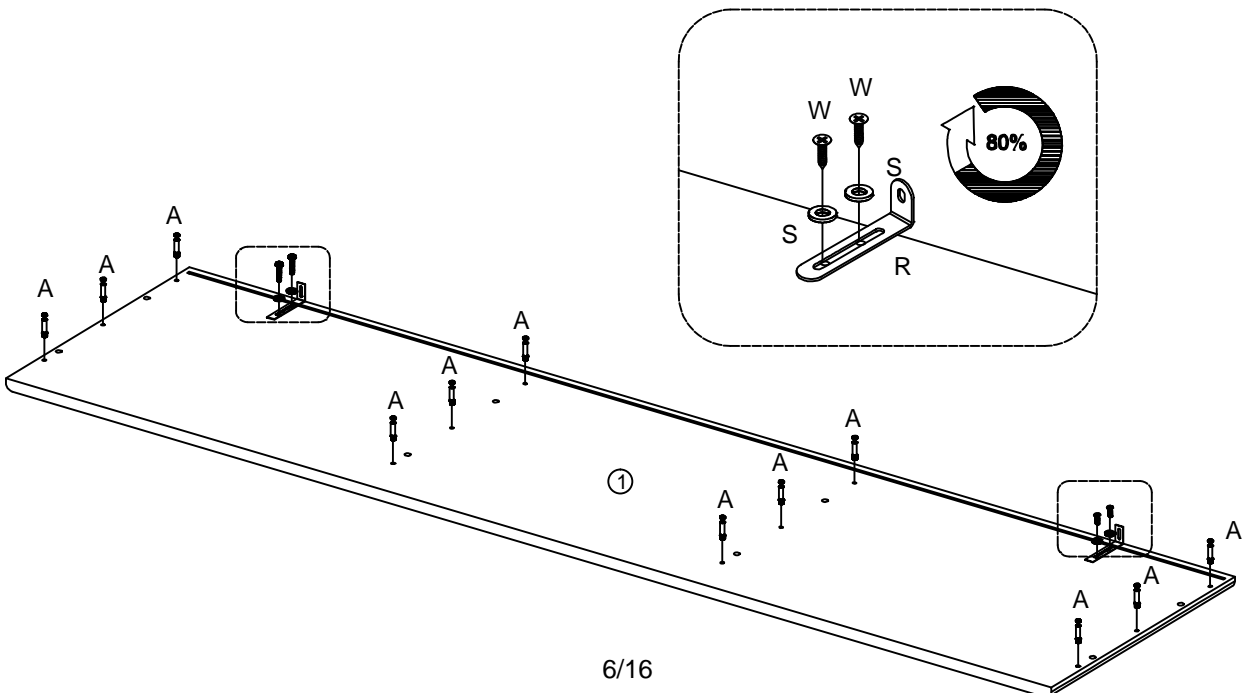


# 5




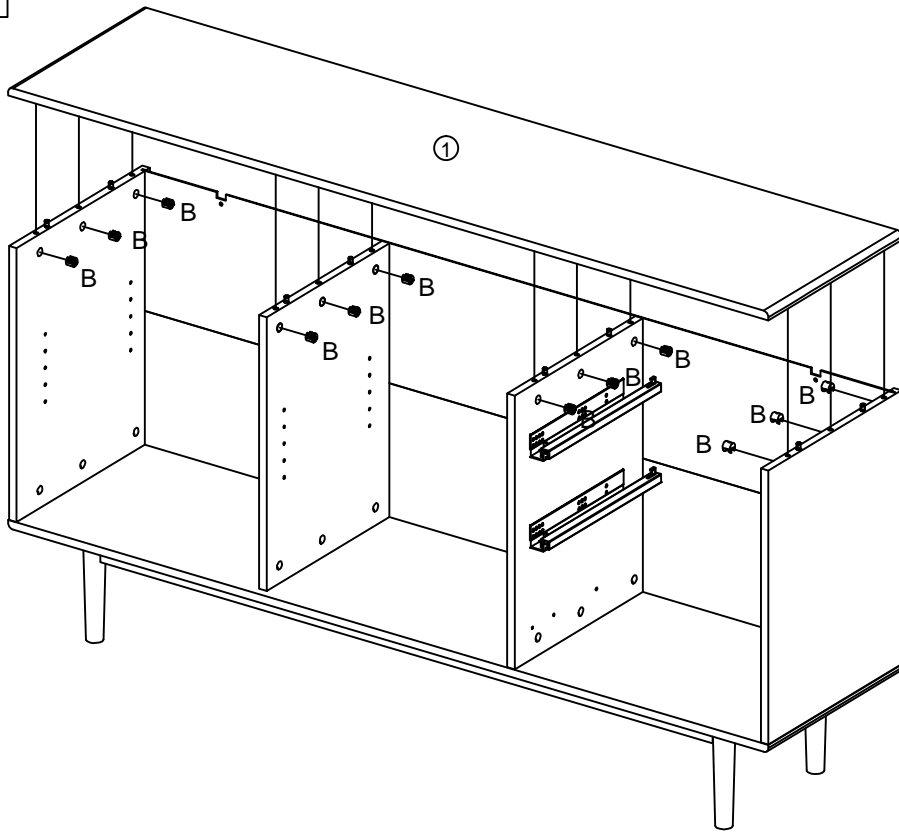
# 6

A x12  φ7x34mm	W x4  φ3.5x15mm	R x2  75x15x25mm	S x4  φ4/φ12mm
----------------------	-----------------------	------------------------	----------------------






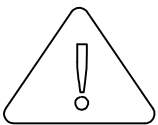
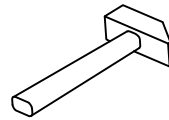
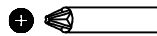
# 7

B x12  
  
Ø15x11mm

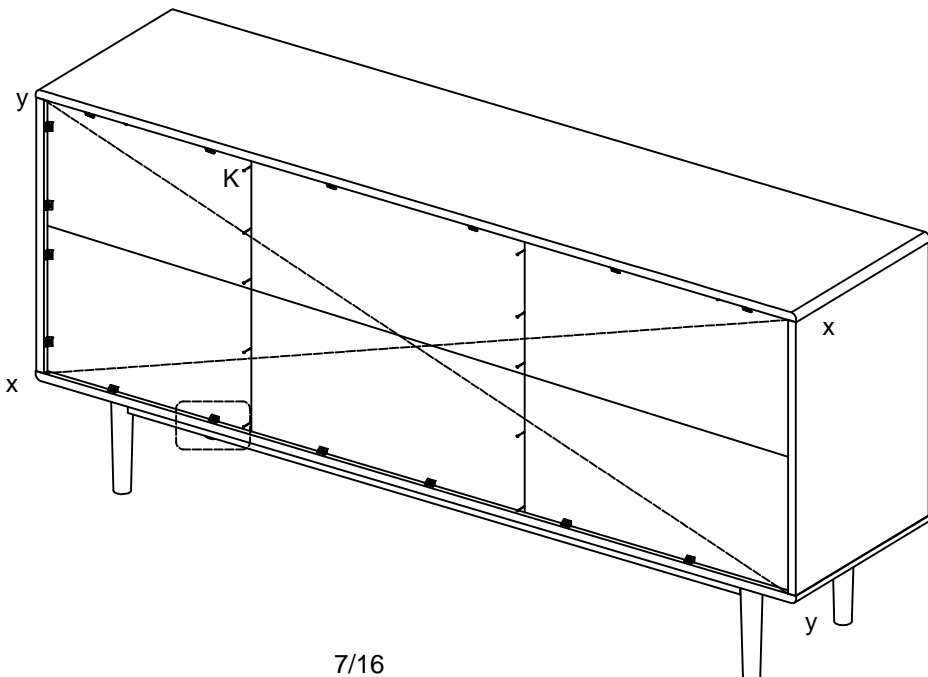
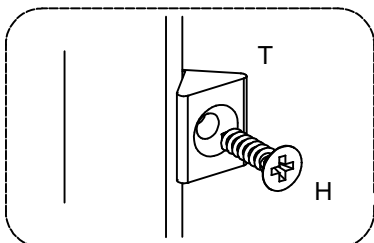
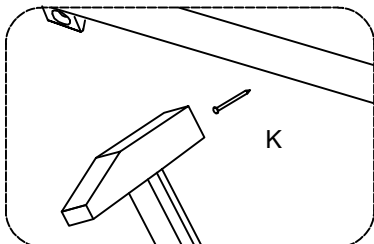


# 8

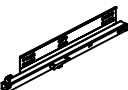
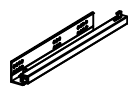

H x20  Ø3x20mm	T x20  15x15x10mm	K x12  1.2x20mm
---	--	--

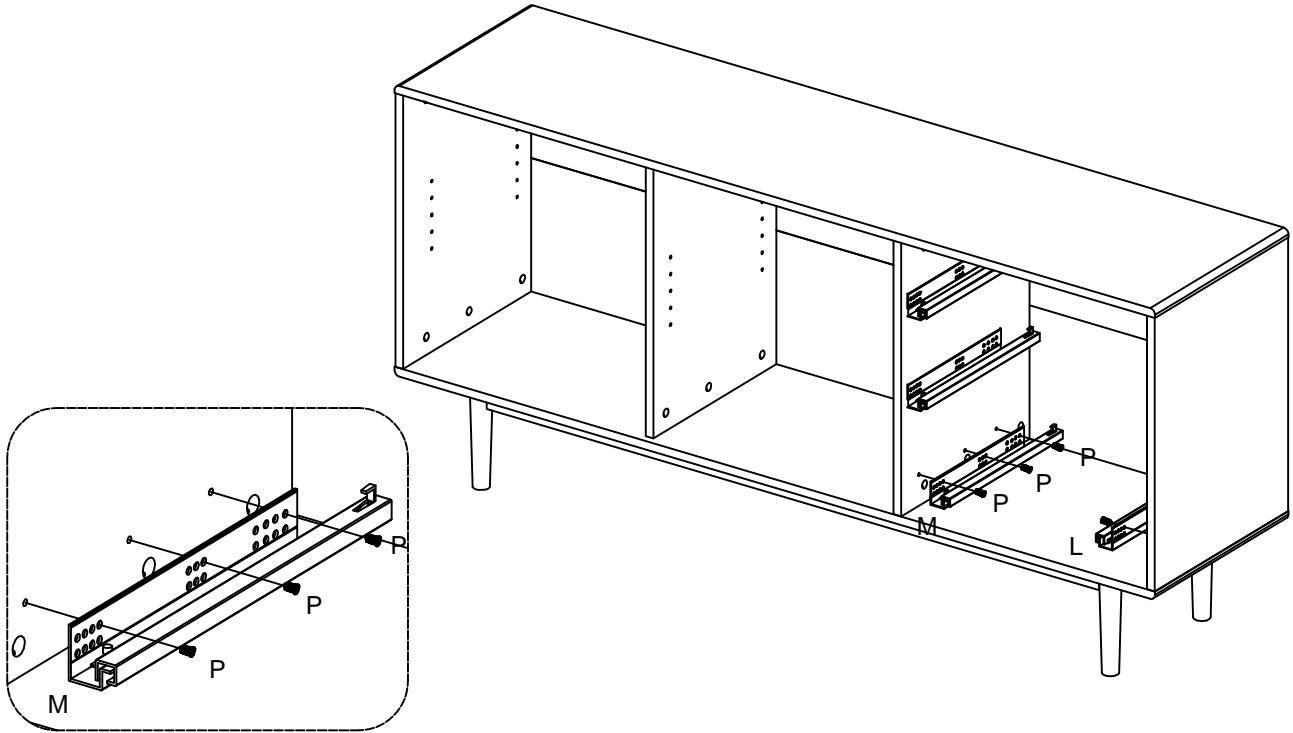


xx=yy




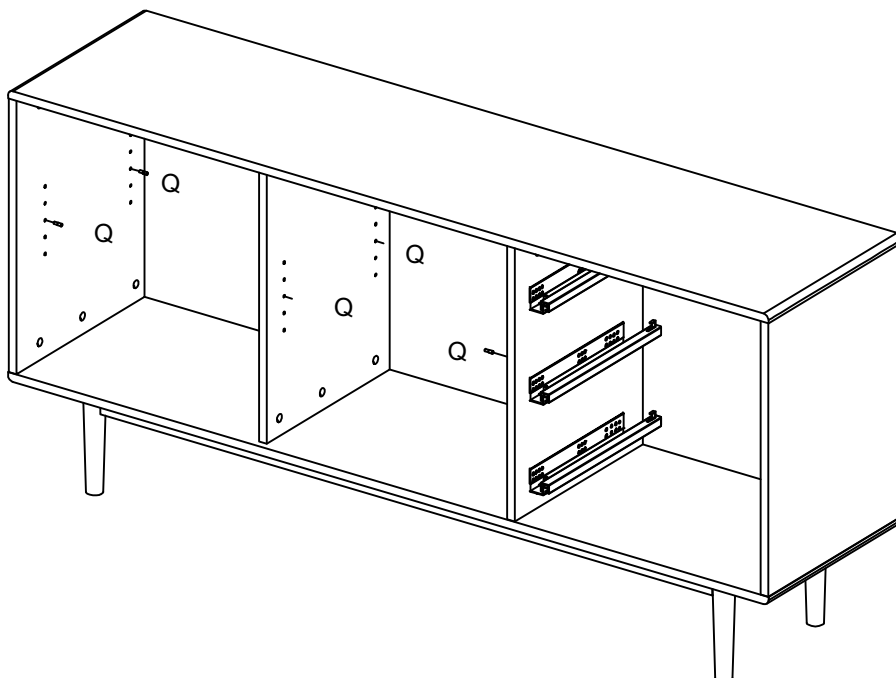
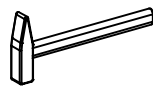
# 9

L x1  350mm	M x1  350mm	P x6  Ø5.8x11mm
--	--	--



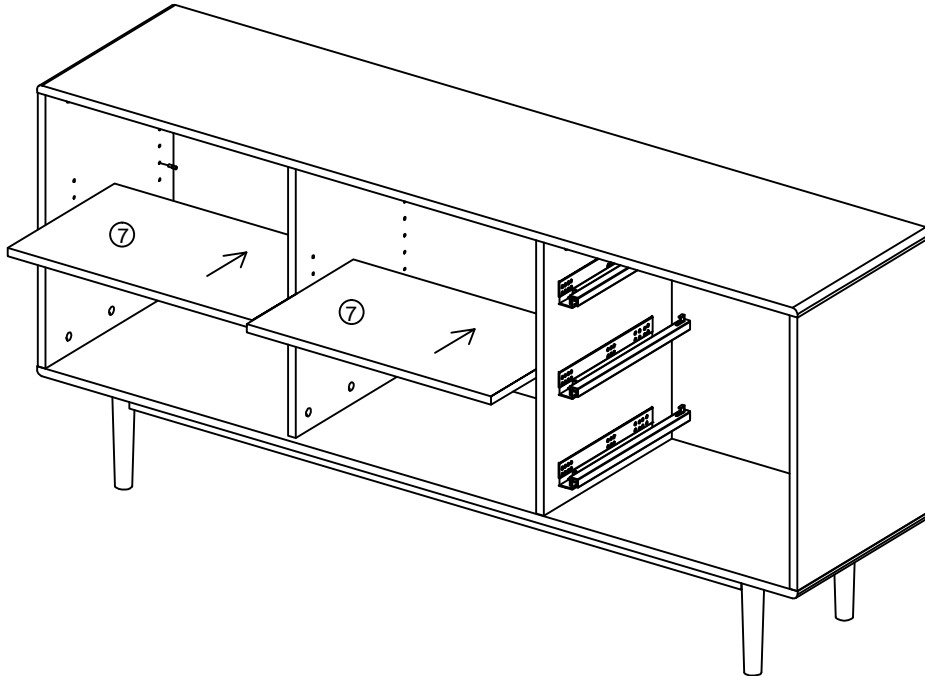
# 10

Q x8  Ø5
---








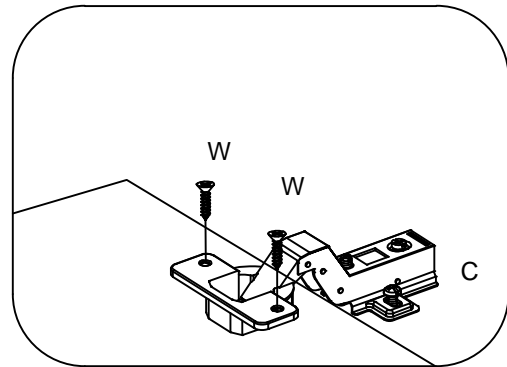
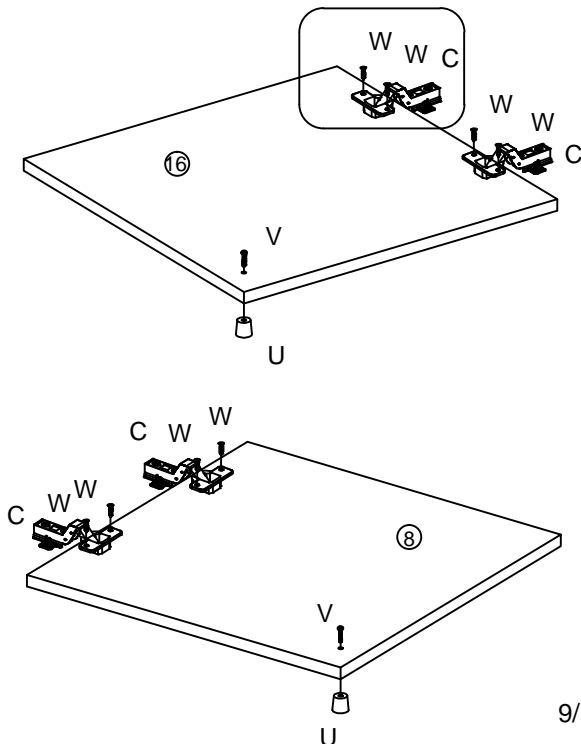


# 11

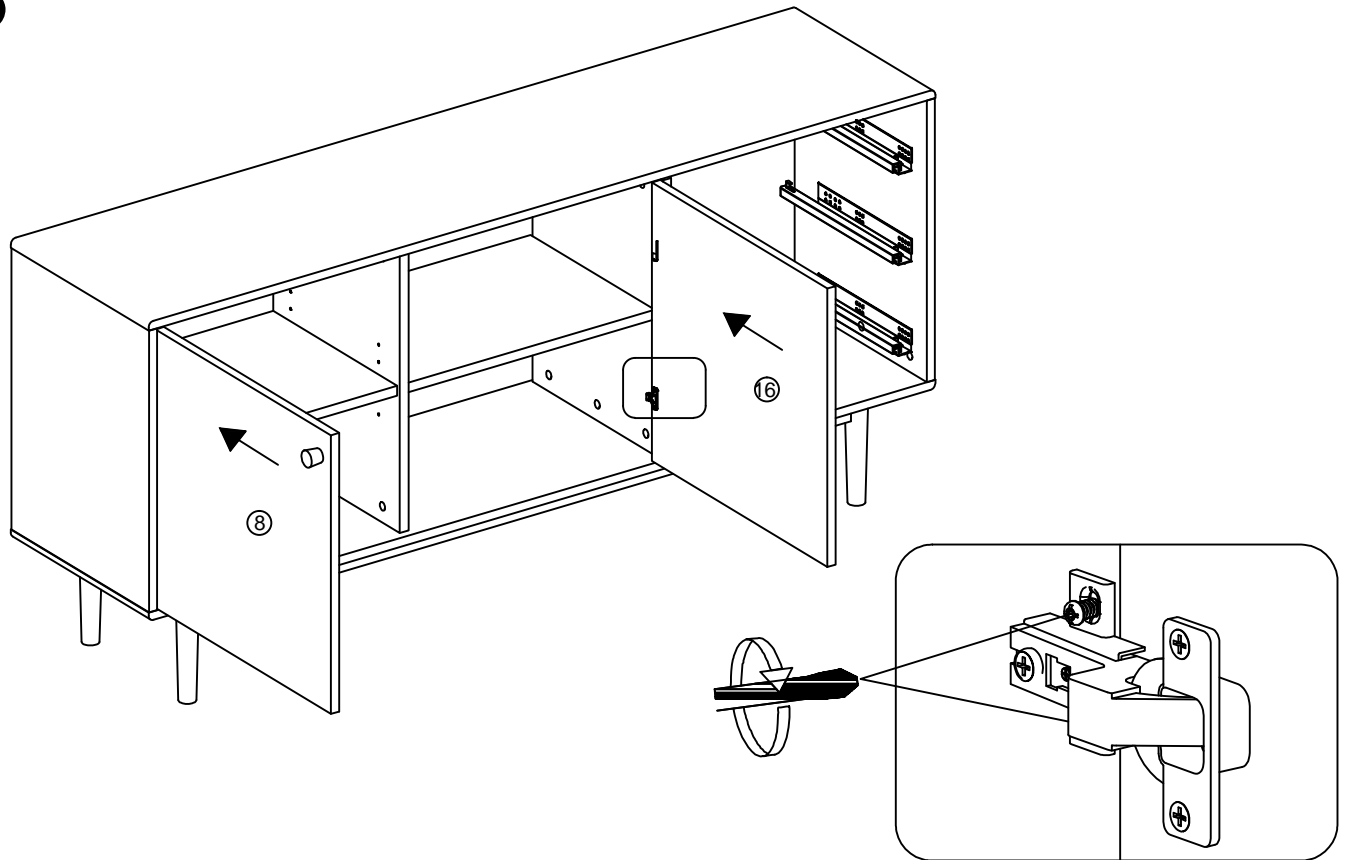


# 12

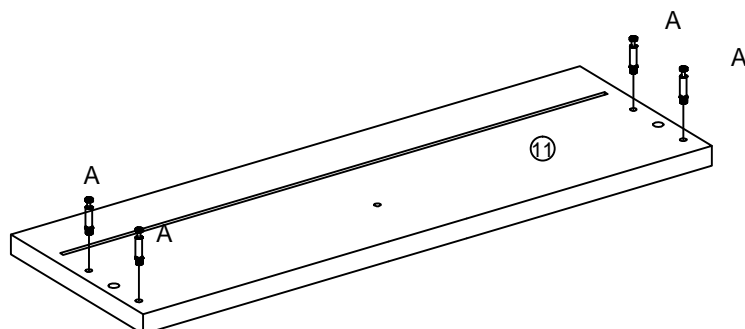
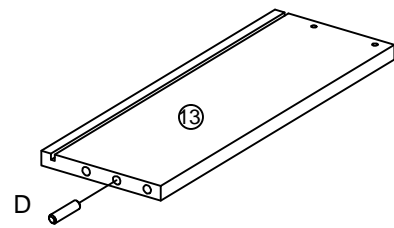
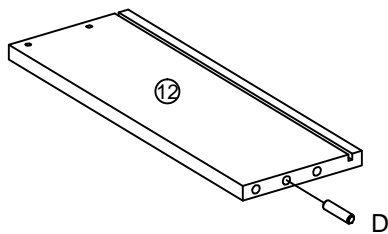
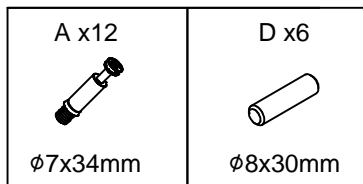
C x4  ø35mm	U x2  ø25x25mm	V x2  M4x22mm	W x8  ø3.5x15mm	
--	---	--	--	--



# 13

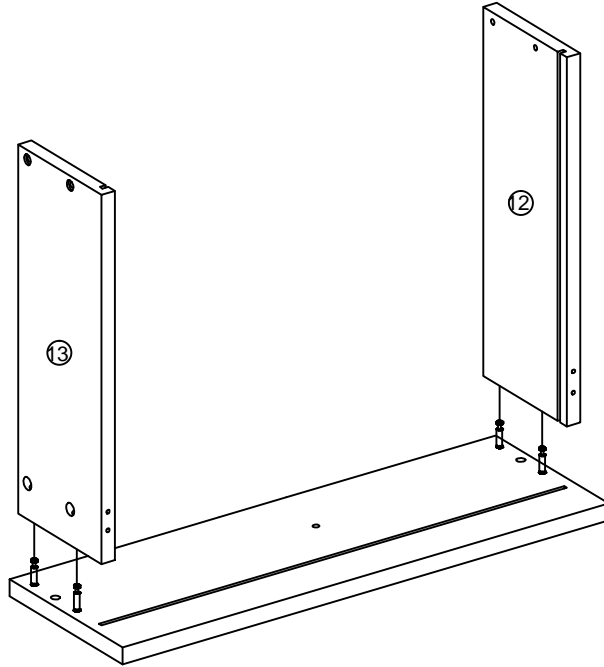


# 14



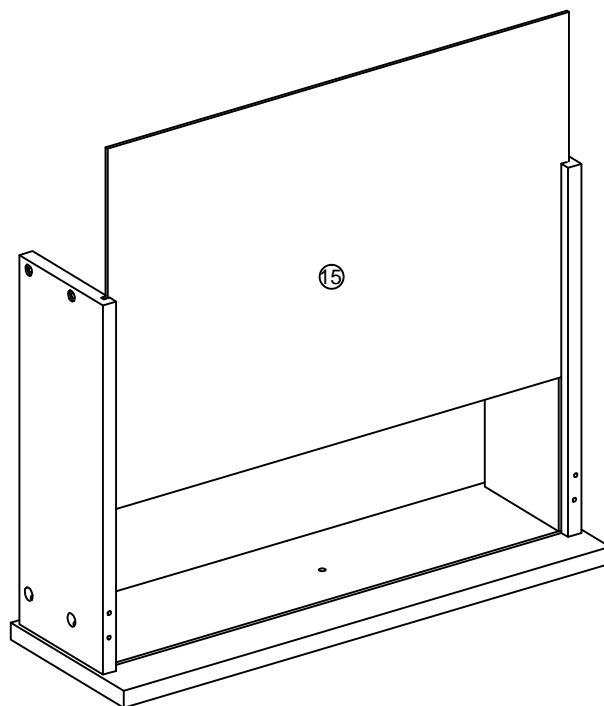
x3

# 15



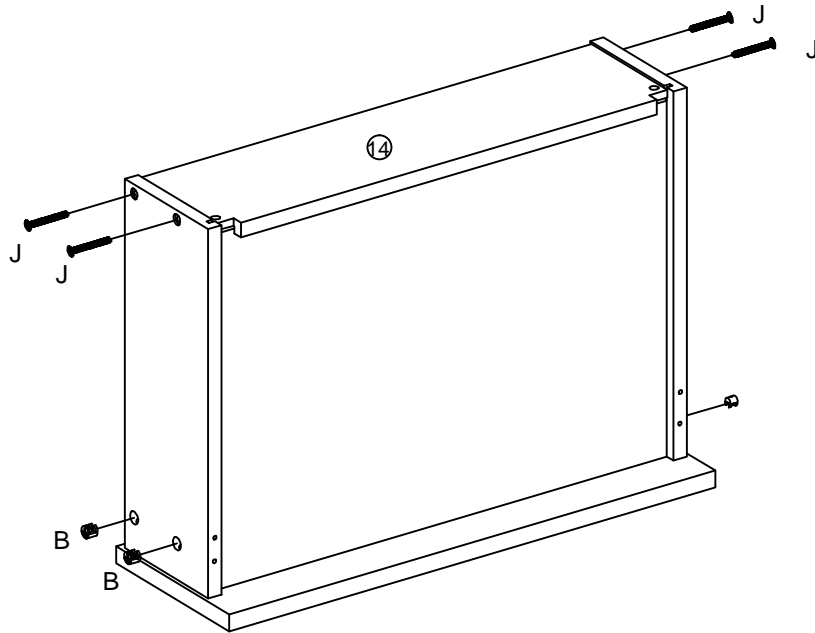
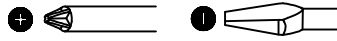
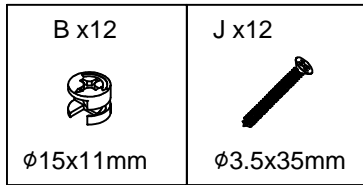
x3

# 16



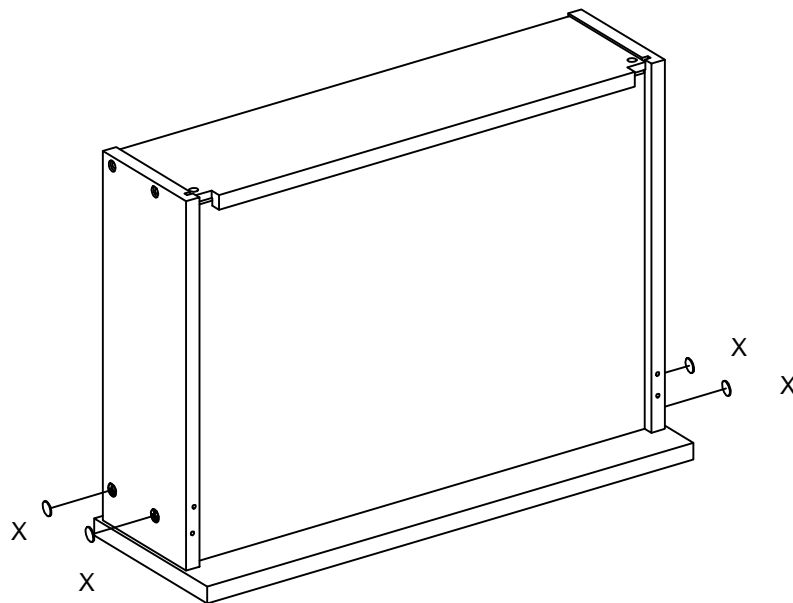
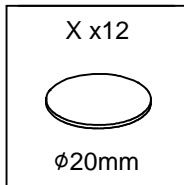
x3

# 17






x3

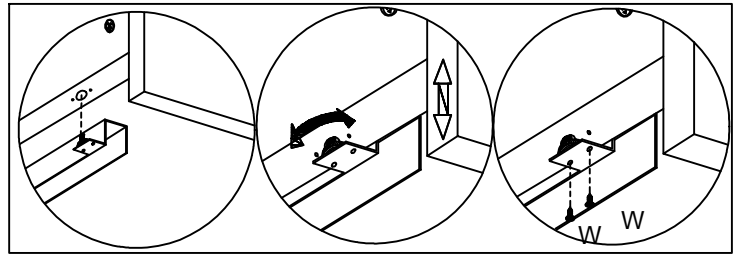
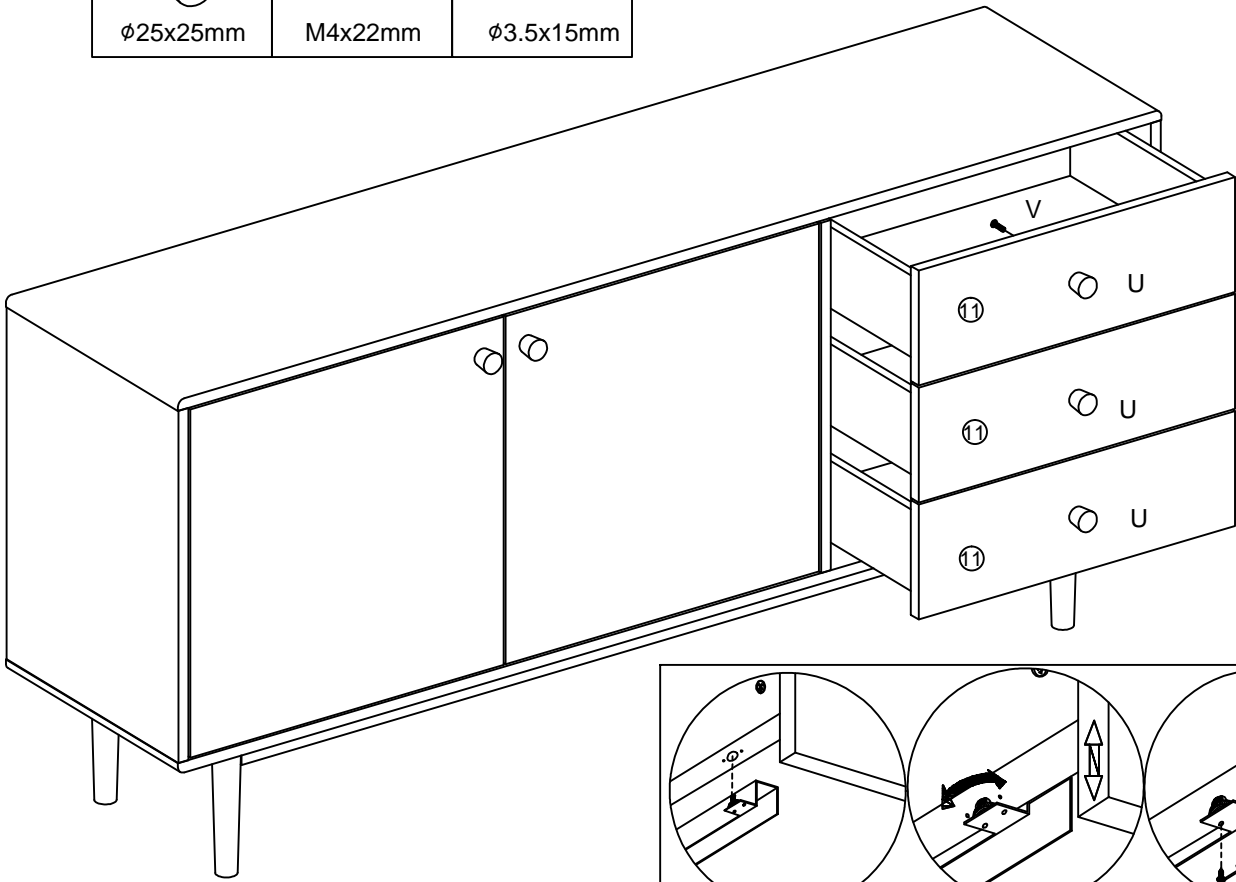
# 18



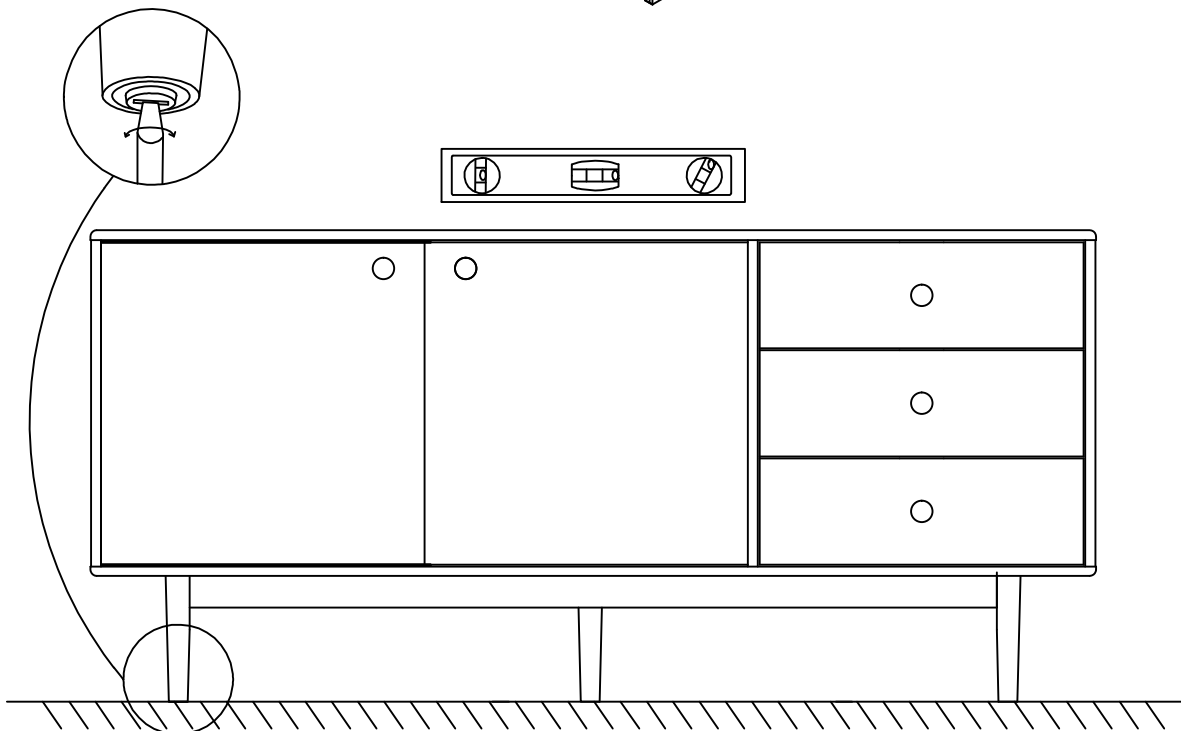
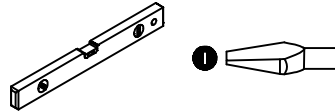
x3

# 19

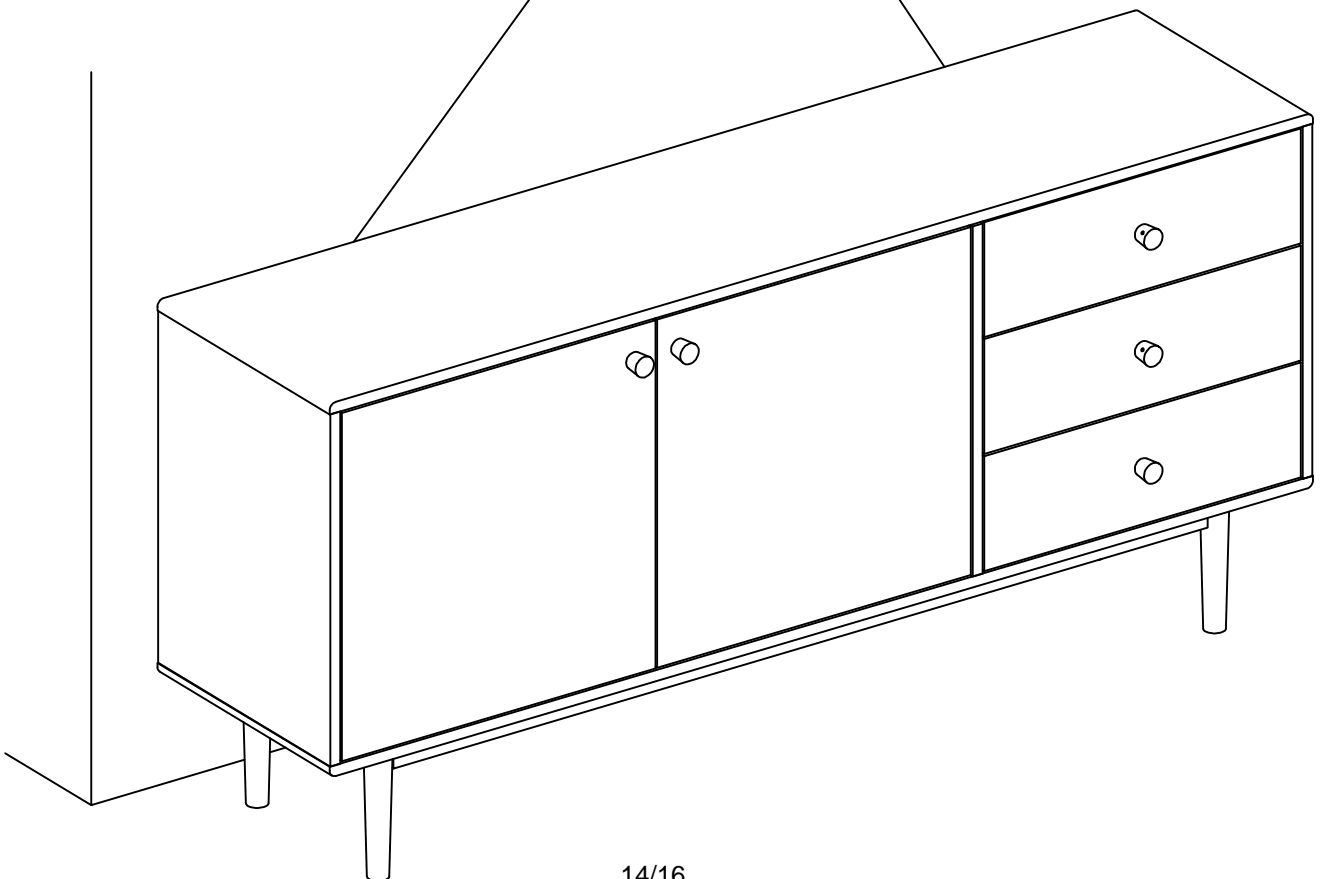
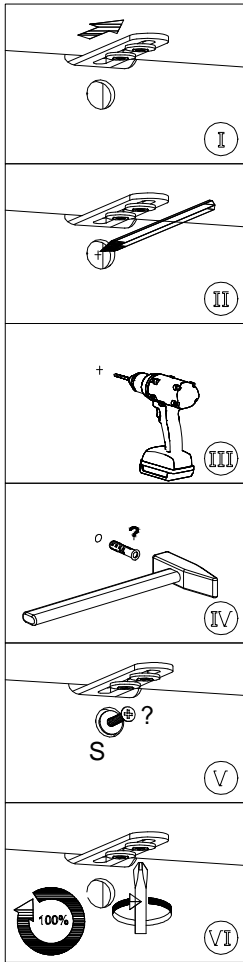
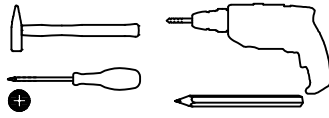
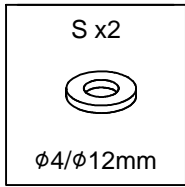
U x3  ø25x25mm	V x3  M4x22mm	W x12  ø3.5x15mm
---	--	---



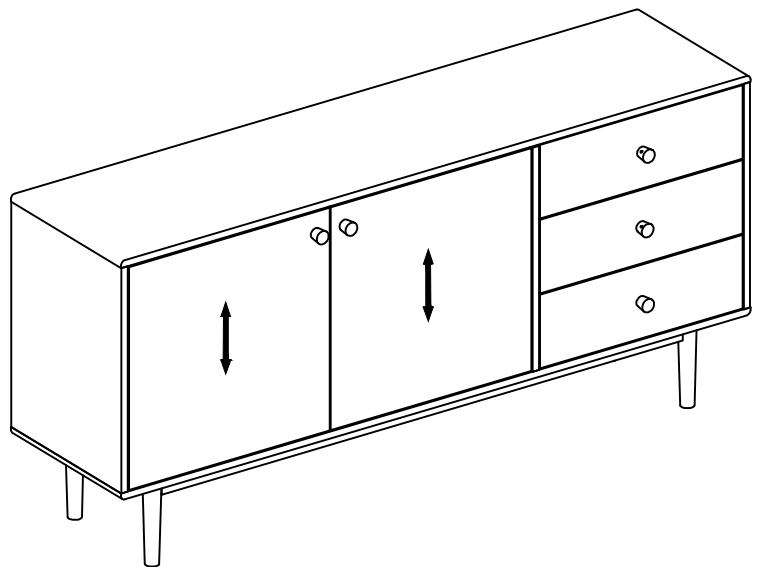
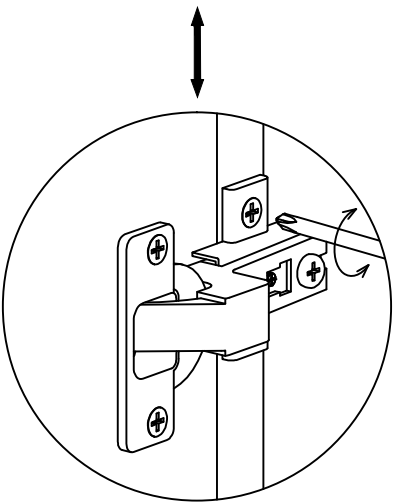
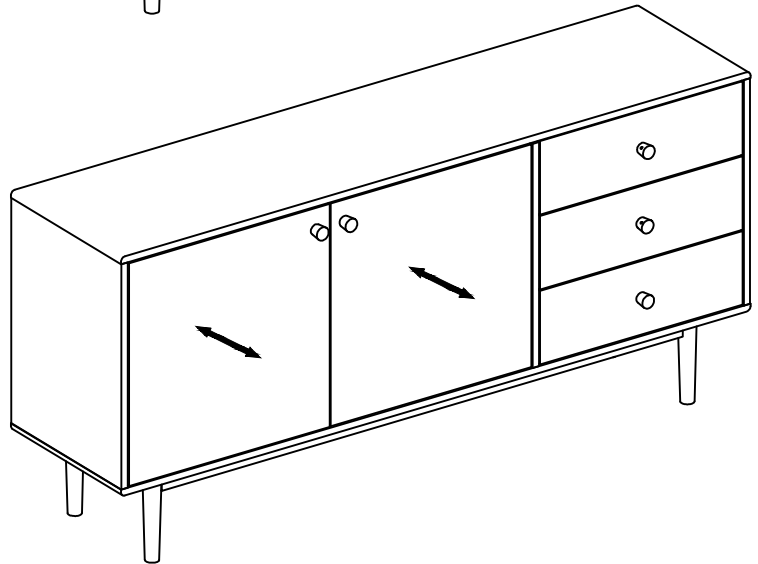
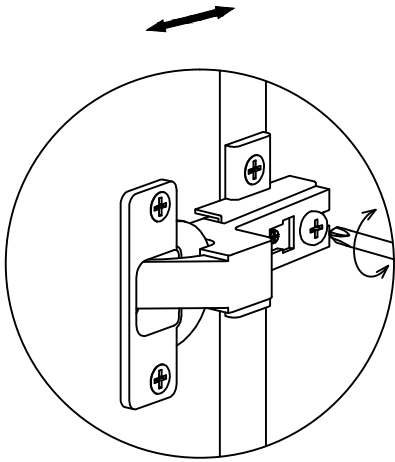
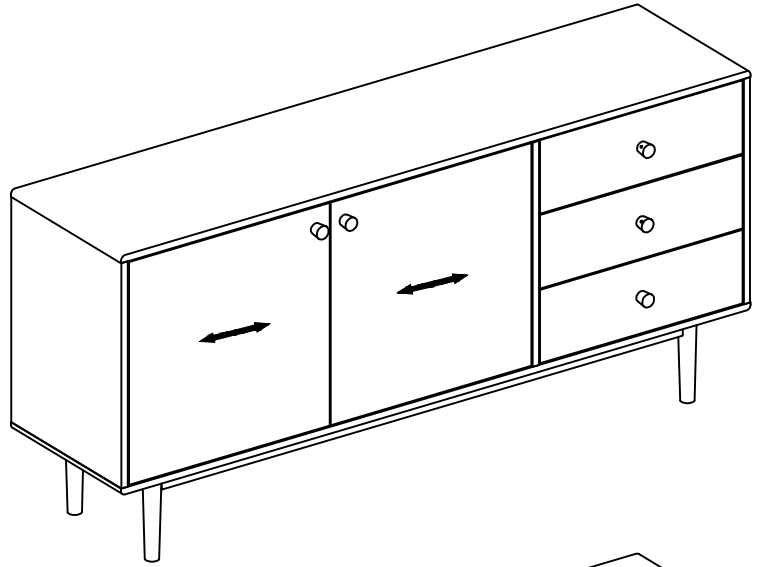
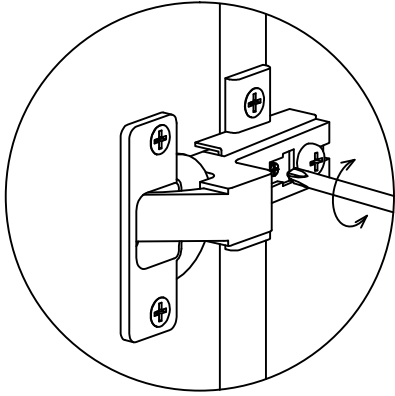
# 20



# 21



22



23

