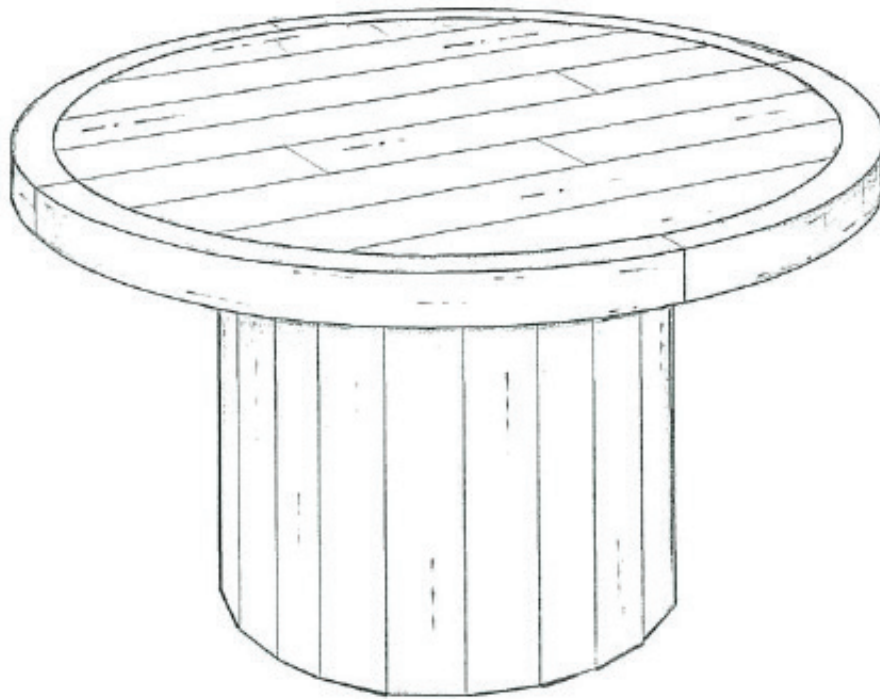




ASSEMBLY INSTRUCTION  
**COFFEE TABLE**  
**DTA002**



**CONTAIN 2 PARTS**

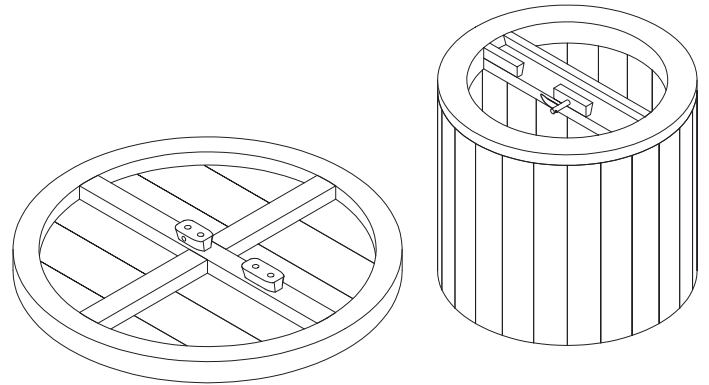
- **Part 1:** Fully assembled coffee table top
- **Part 2:** Base (with wooden peg)

**This assembly requires 2 adults!**

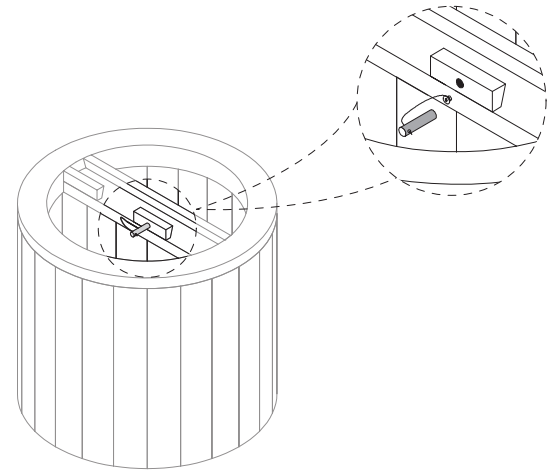
*Lay all parts on a blanket to prevent scratching.*

*Carefully lift each part*

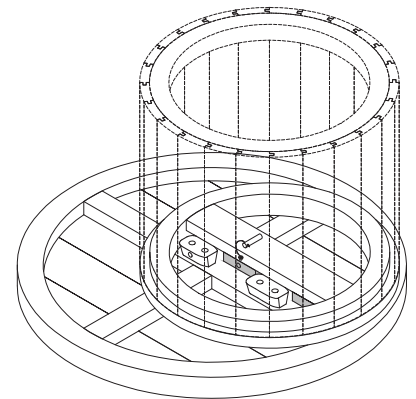
- **Step 1:** Turn the top section up side down



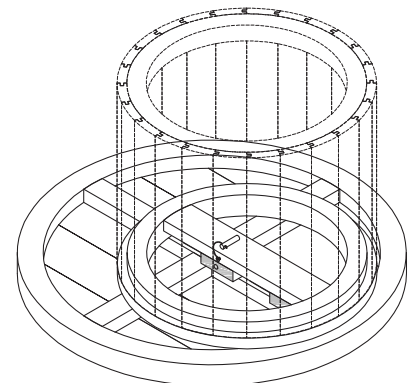
- **Step 2:** Take the wooden peg out of the rail



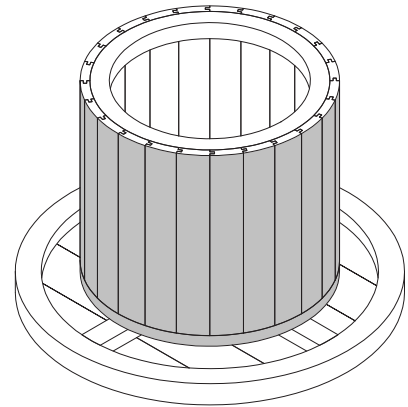
- **Step 3:** Turn the base upside down, and place it on the table top upside down, so that the position of the two cleats are between the rails.



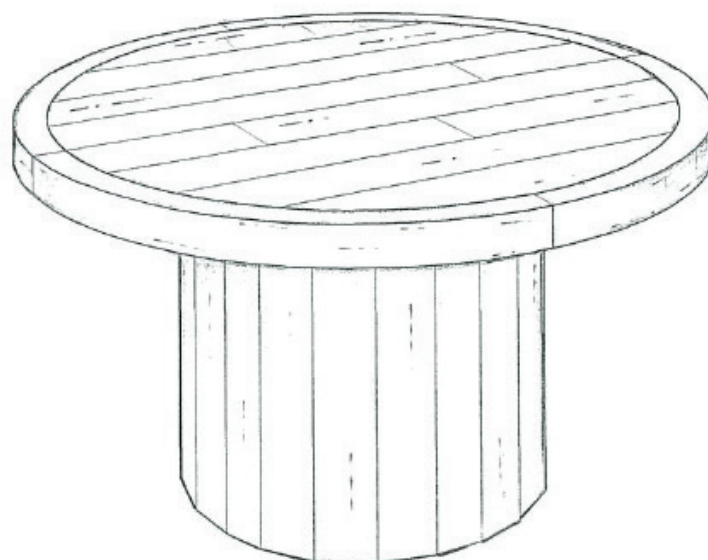
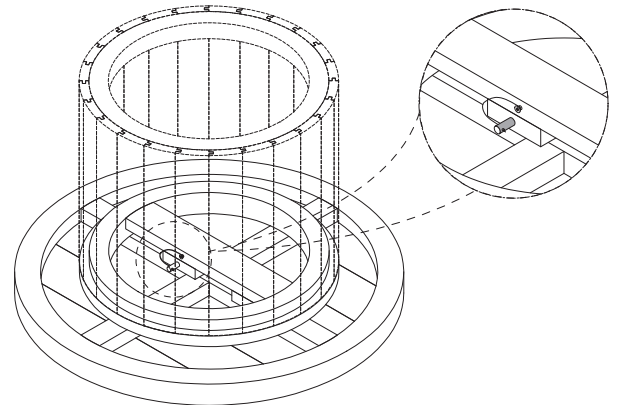
- **Step 4:** Then push the base so that the two cleats passes through the rails.



- **Step 5:** Push the base straight into the center of the table top



- **Step 6:** Attach wooden peg to the cleat holes and rails to secure the base and table top.



**The assembly is now completed!**

**ENJOY YOUR NEW  RECLAIMED<sup>®</sup> PRODUCT**

For further information, please visit our website [www.pgt-reclaimed.com](http://www.pgt-reclaimed.com)