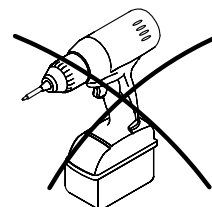
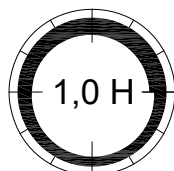
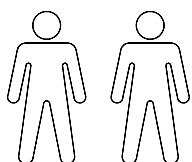
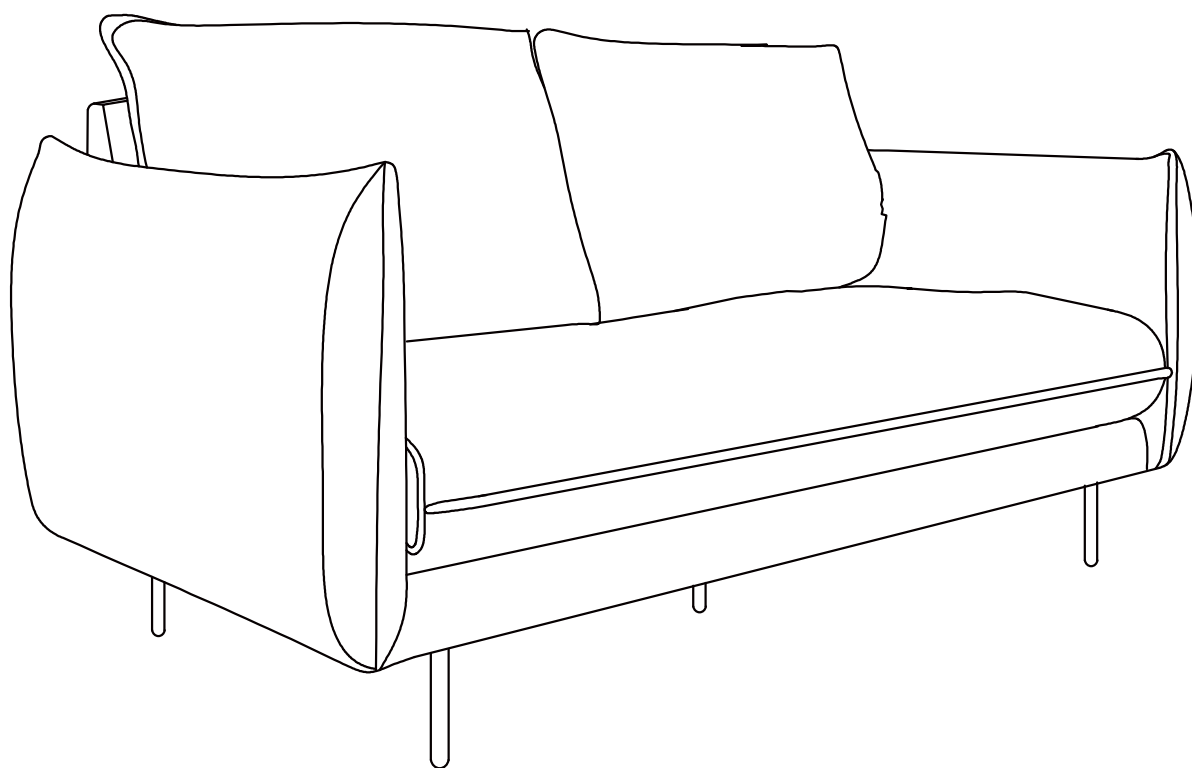
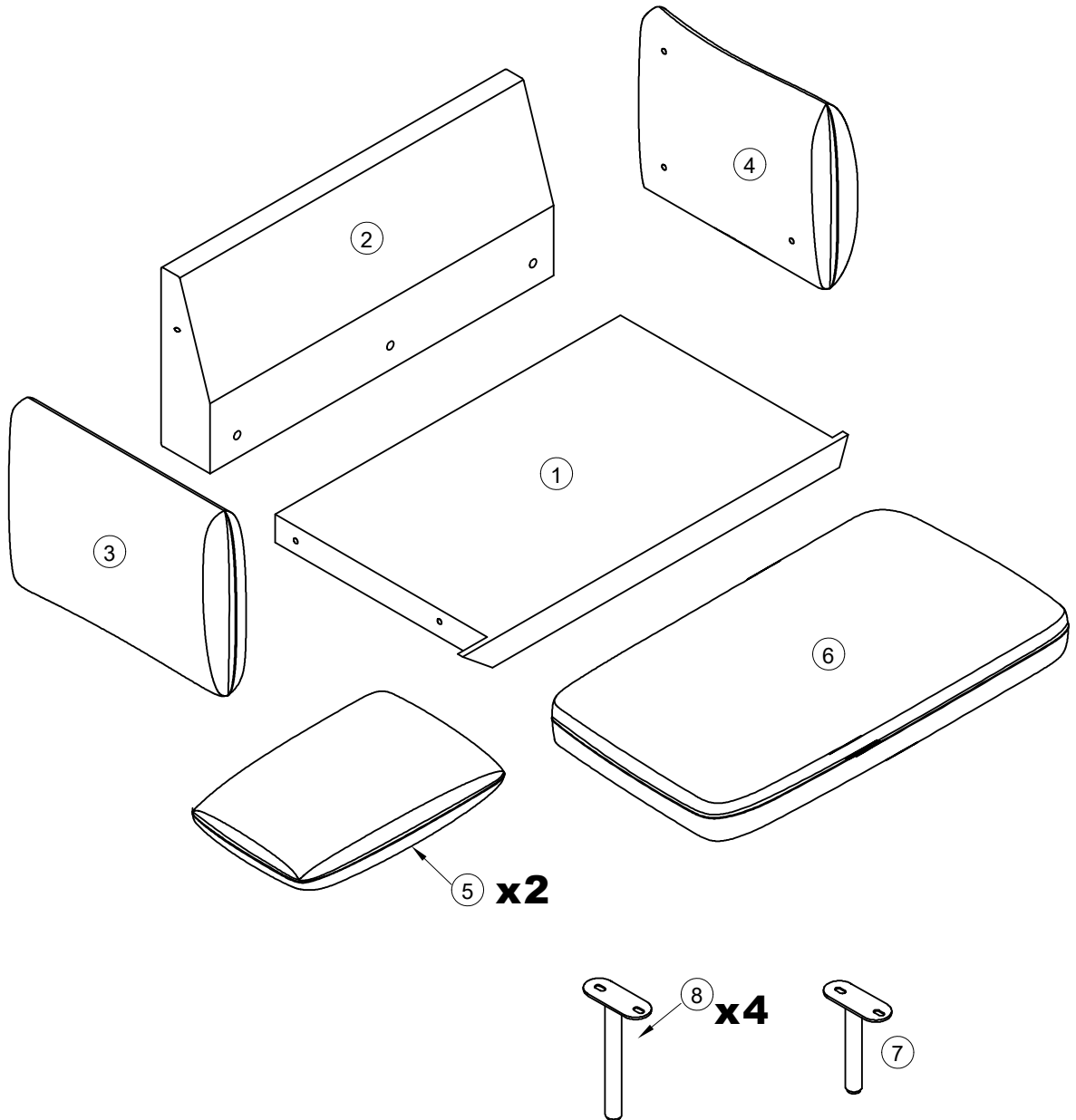


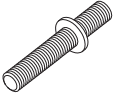
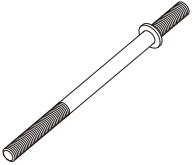
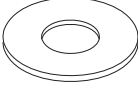
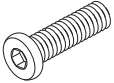


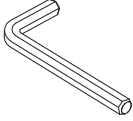
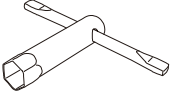
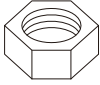
MANHATTAN



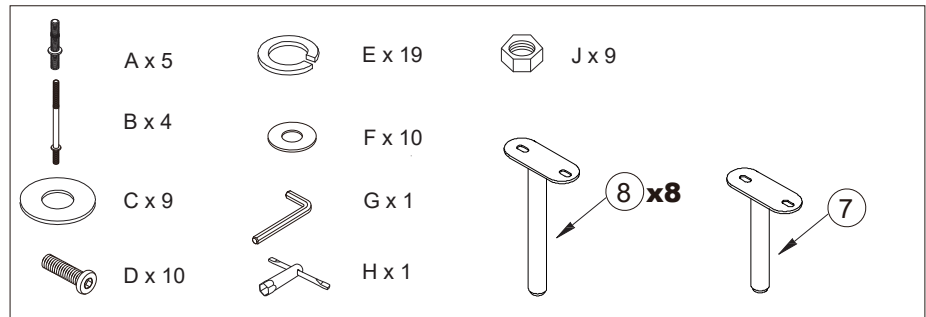
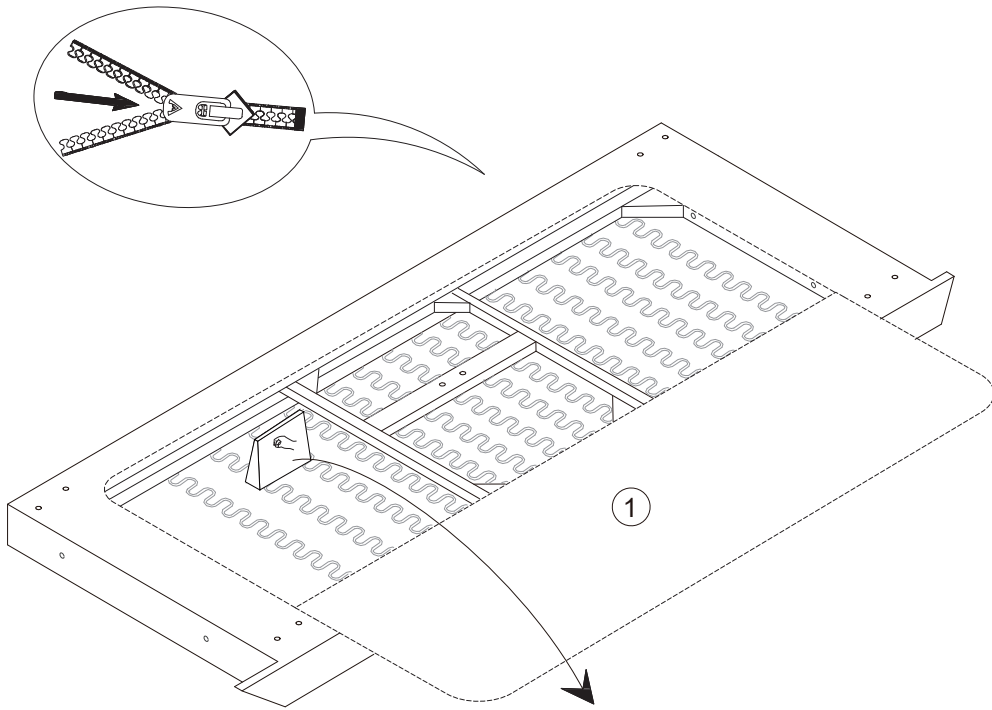
			✓
①	1	2000x680x95	
②	1	1915x230x605	
③	1	980x140x570	
④	1	980x140x570	

			✓
⑤	G	980x540x190	
î	F	1960x700x215	
î	1	119xØ50x160	
î	î	119xØ50x170	

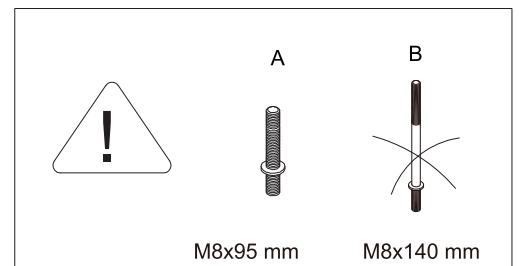
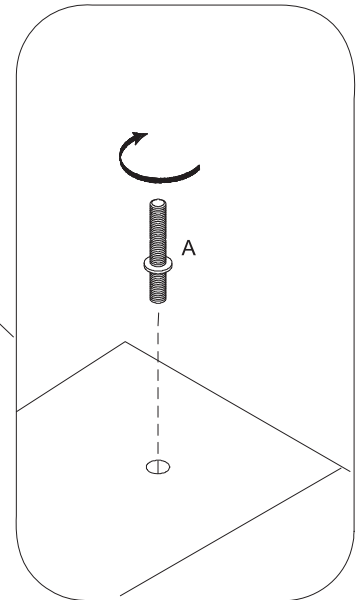
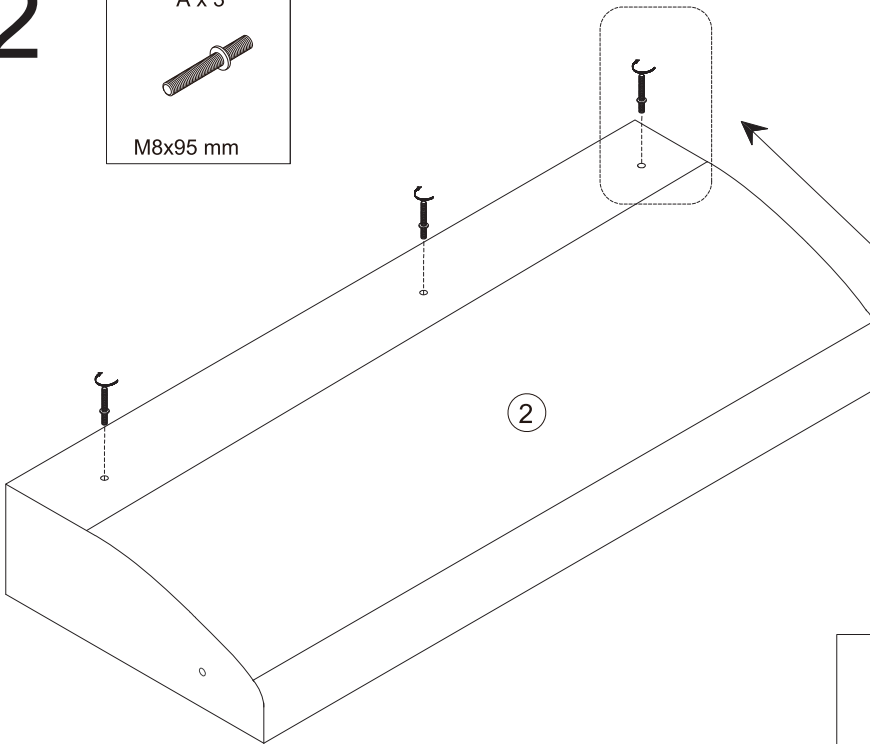
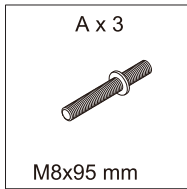


<p>A x 5</p>  <p>M8x95 mm</p>	<p>B x 4</p>  <p>M8x140 mm</p>	<p>C x 9</p>  <p>Ø8/Ø25 mm</p>	<p>D x 10</p>  <p>M8x25 mm</p>	<p>E x 19</p>  <p>Ø8/Ø13mm</p>
<p>F x 10</p>  <p>Ø8/Ø19 mm</p>	<p>G x 1</p>  <p>5 mm</p>	<p>H x 1</p>  <p>14 mm</p>	<p>J x 9</p>  <p>M8/14 mm</p>	

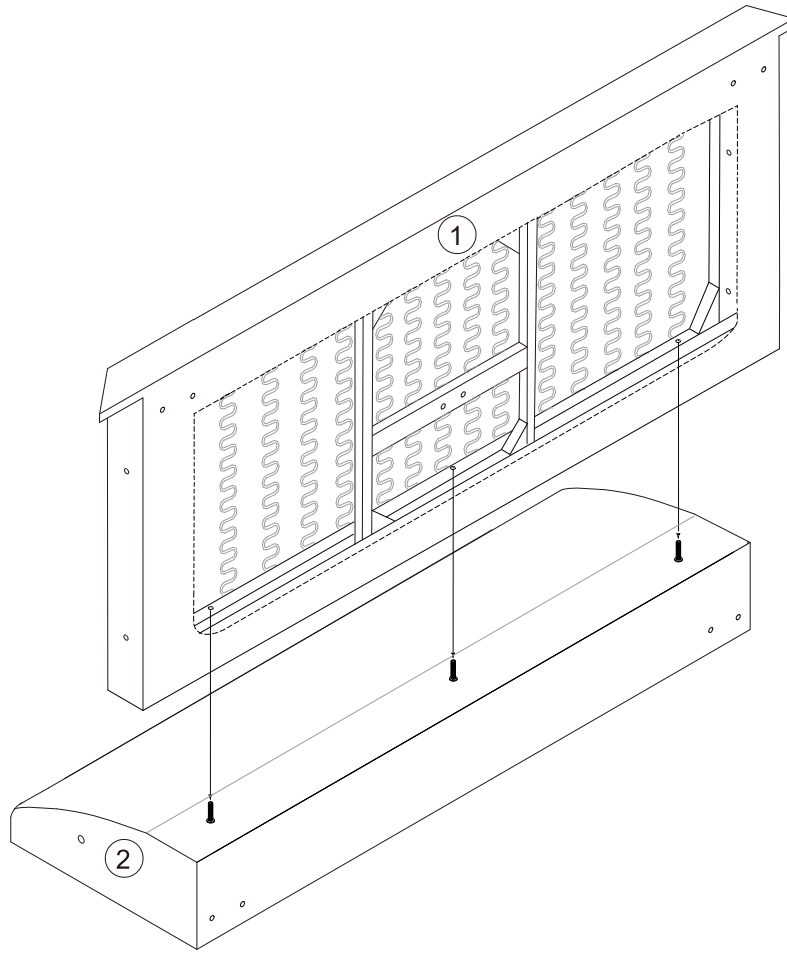
1





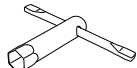
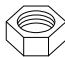
2

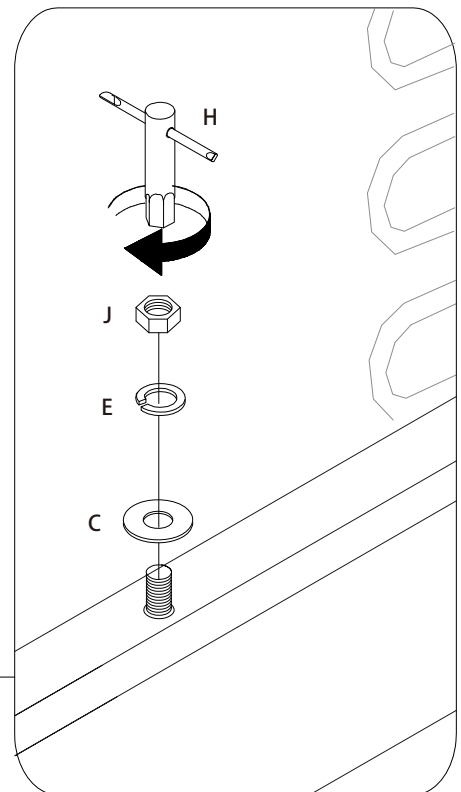
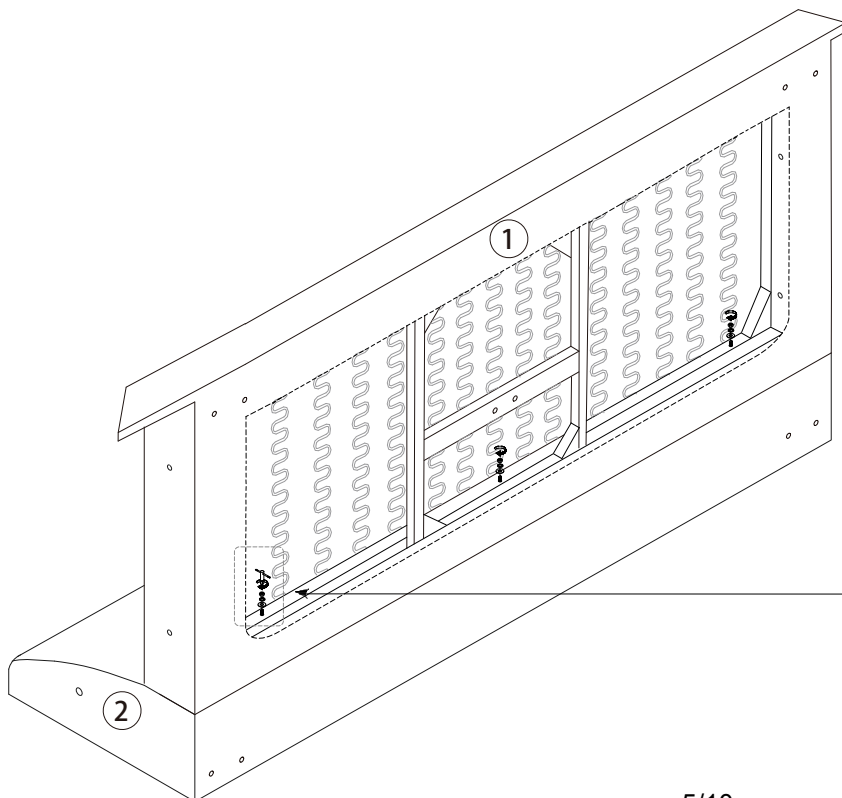


3

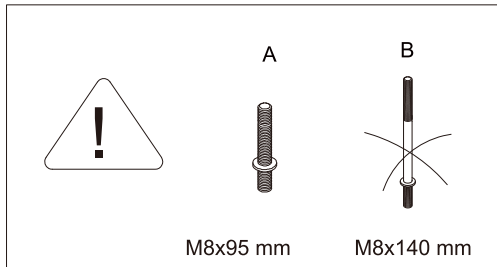
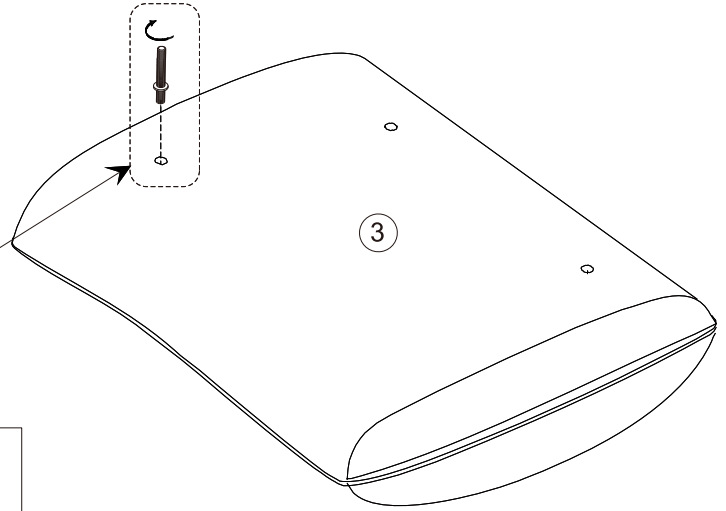
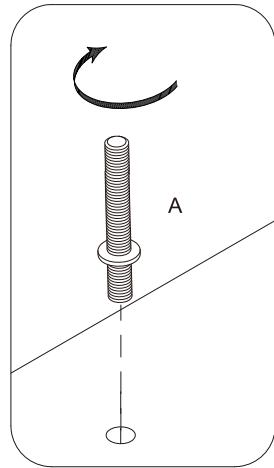
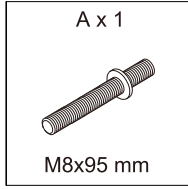


4

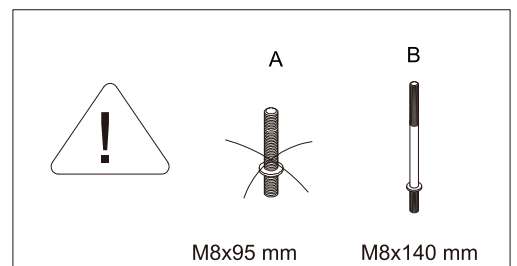
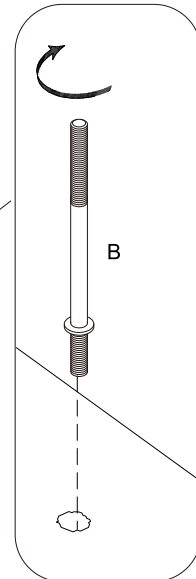
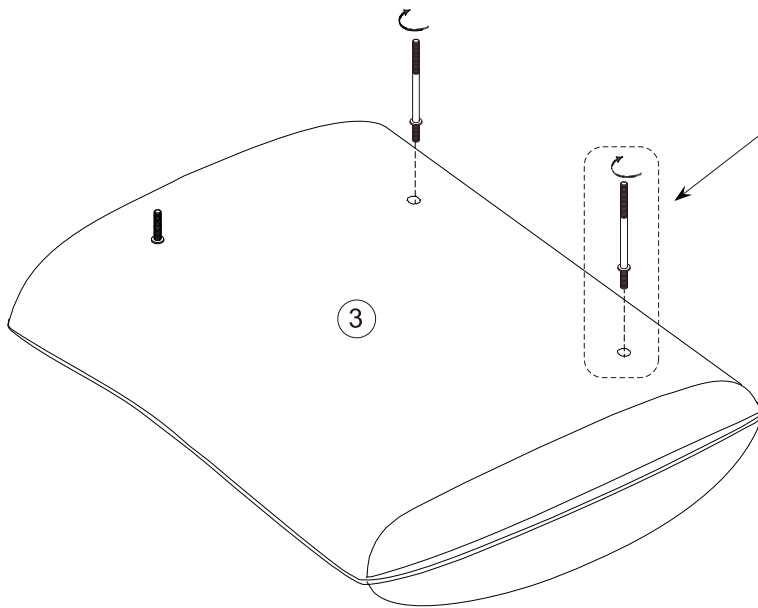
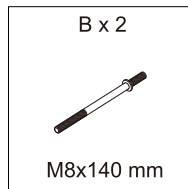
Cx3	Ex3	Hx1	Jx3
			
∅8/∅25 mm	∅8/∅13 mm	14 mm	M8/14 mm



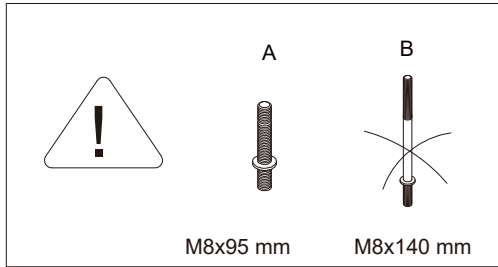
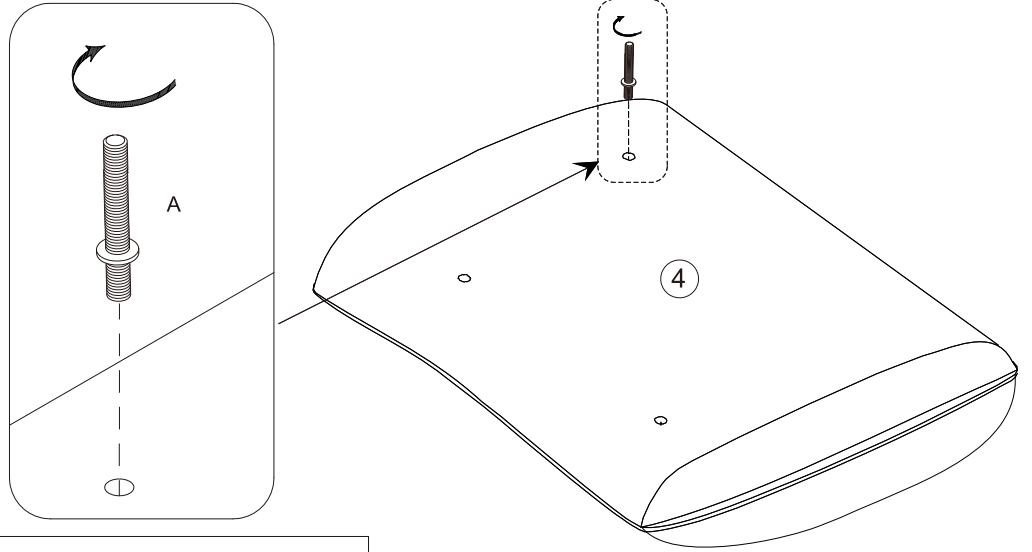
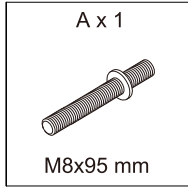
5



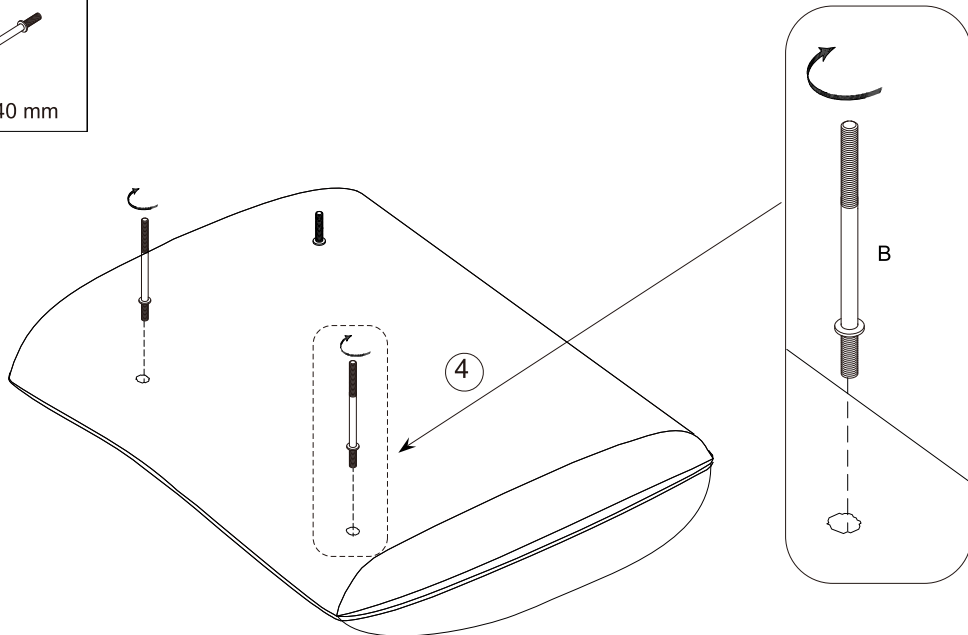
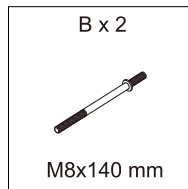
6



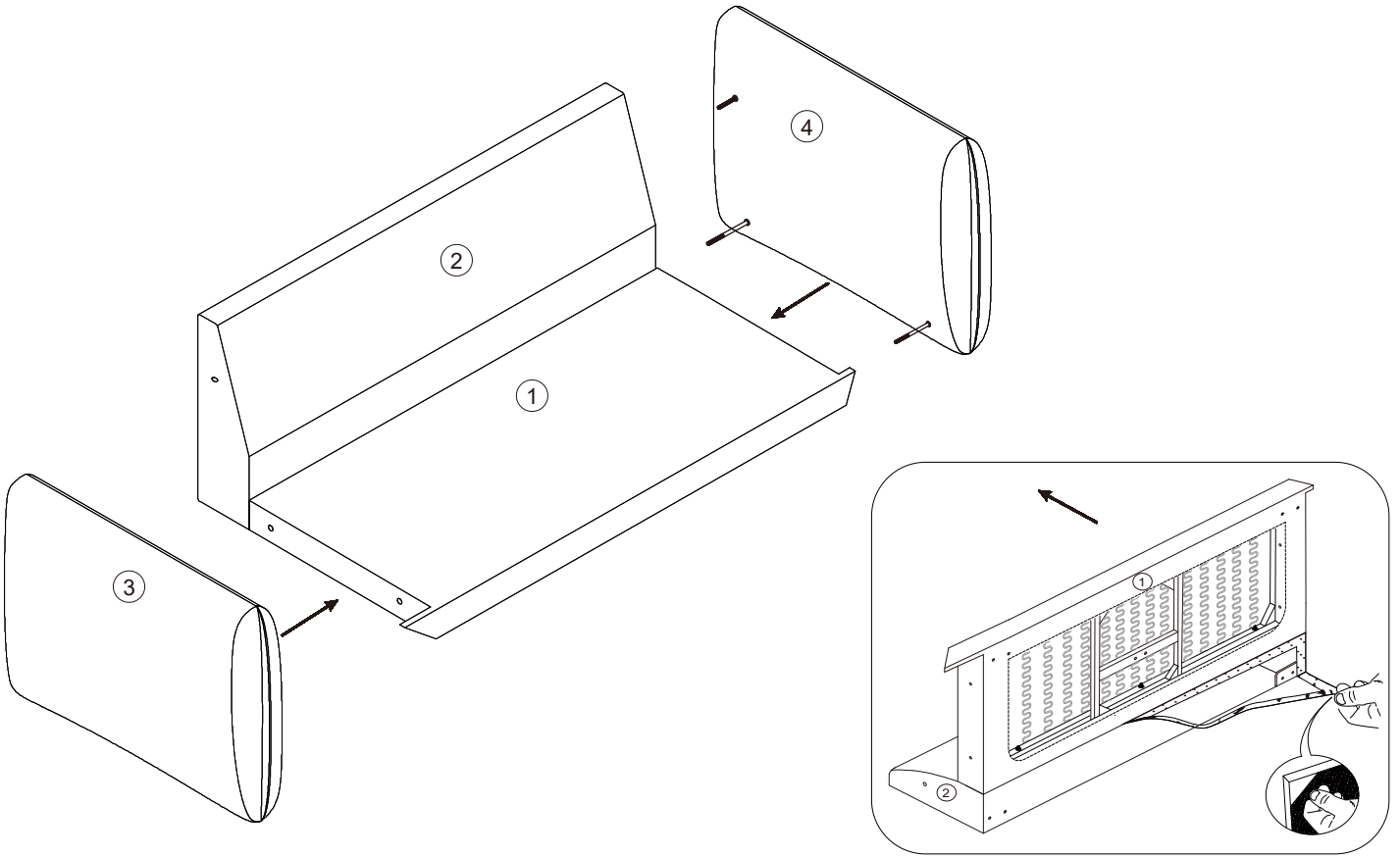
7



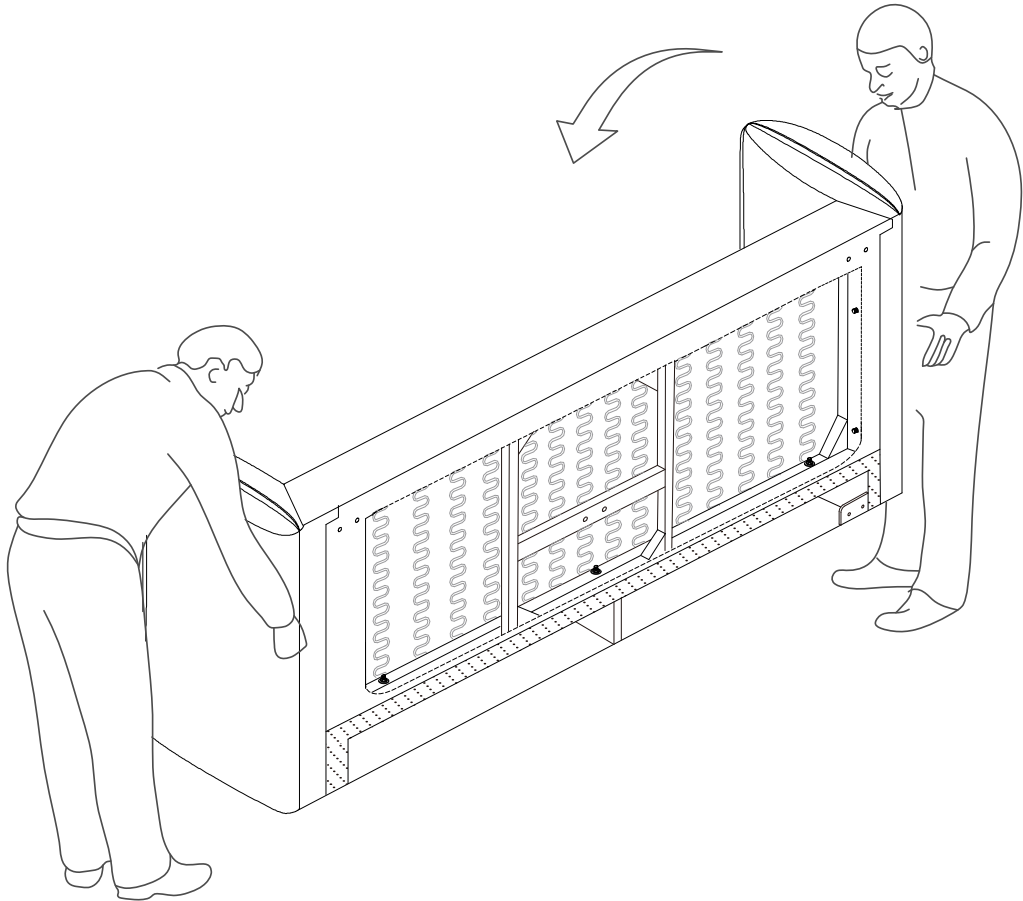
8





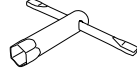
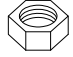
9

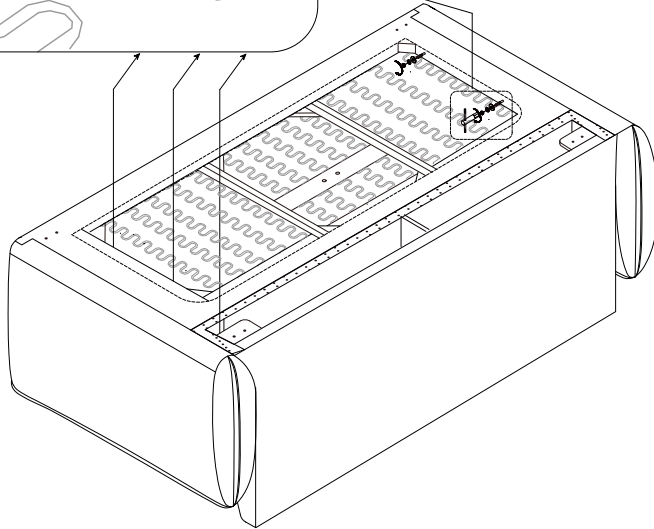
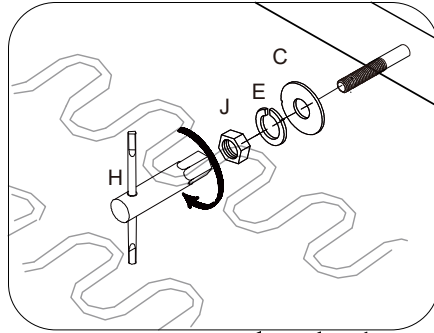


10

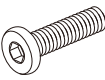


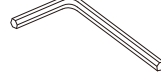


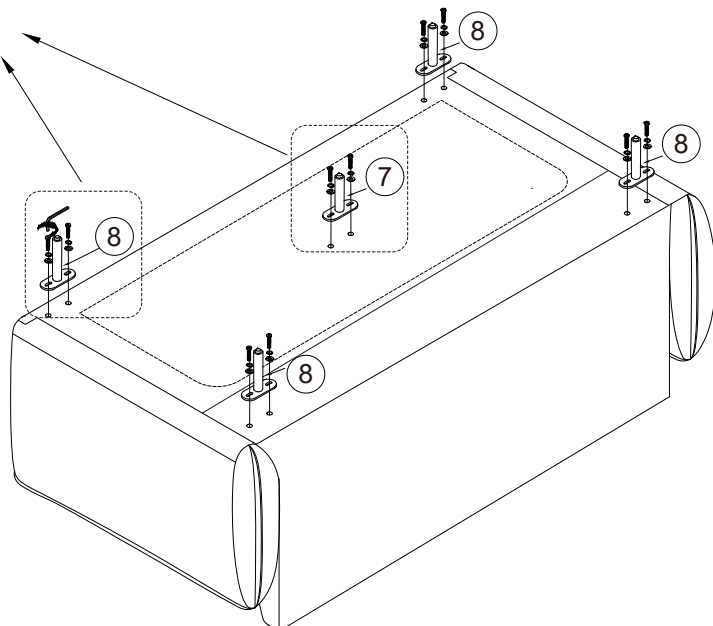
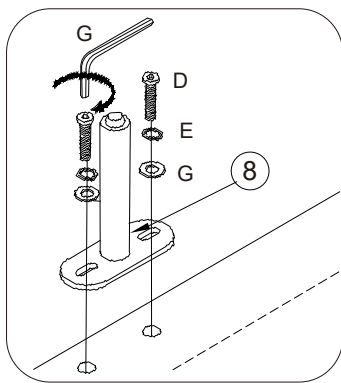
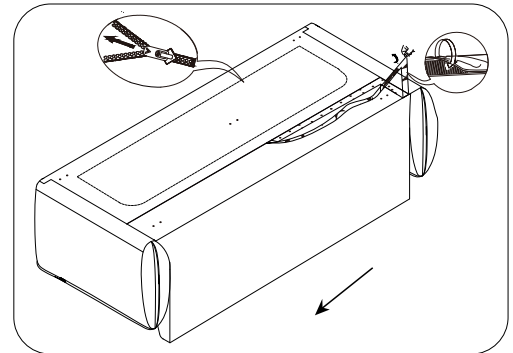
11

C x 6  Ø8/Ø25 mm	E x 6  Ø8/Ø13 mm	H x 1  14 mm	J x 6  M8/14 mm
---	---	---	--

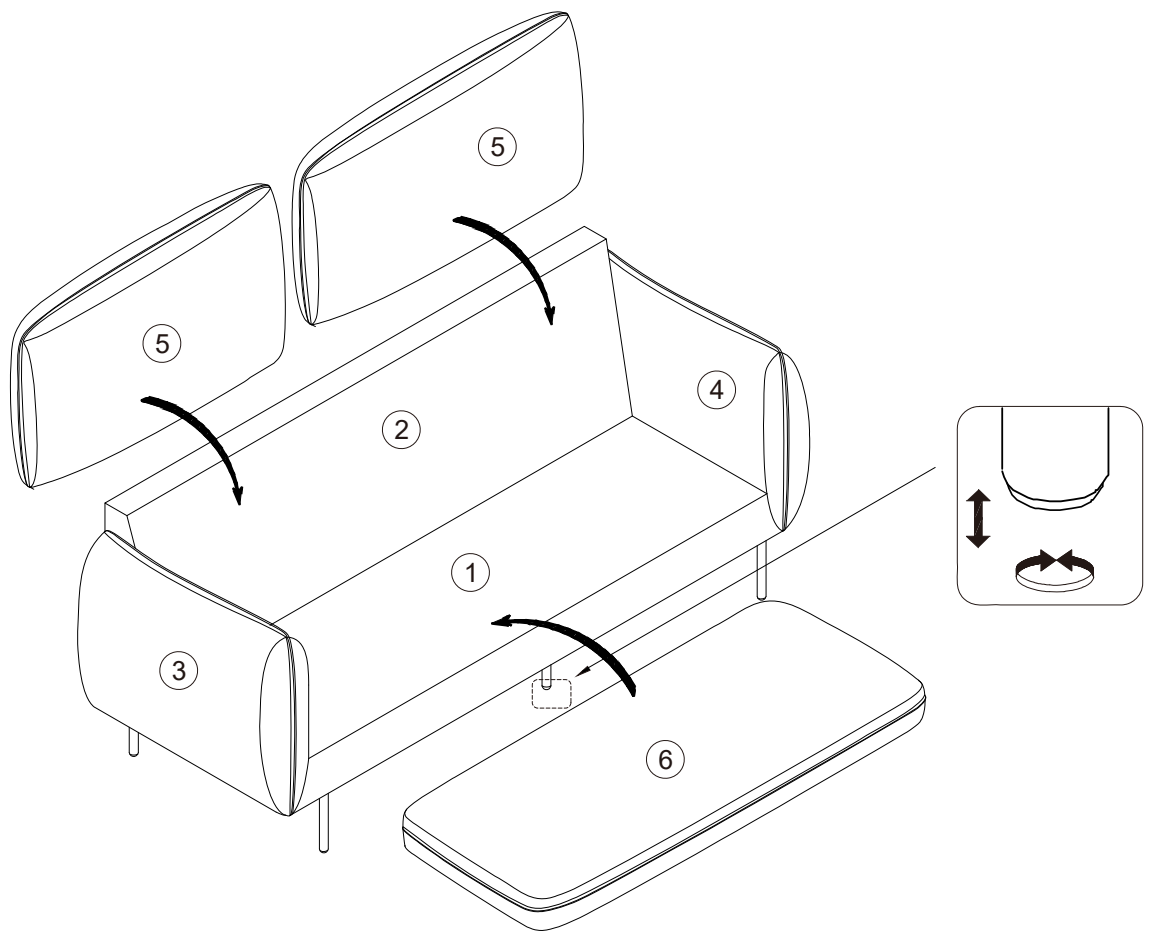


12

D x 10  M8x25 mm	E x 10  Ø8/Ø13 mm	F x 10  Ø8/Ø19 mm	G x 1  5 mm
---	--	--	--



13



14

