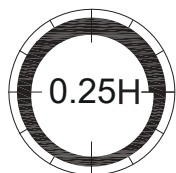
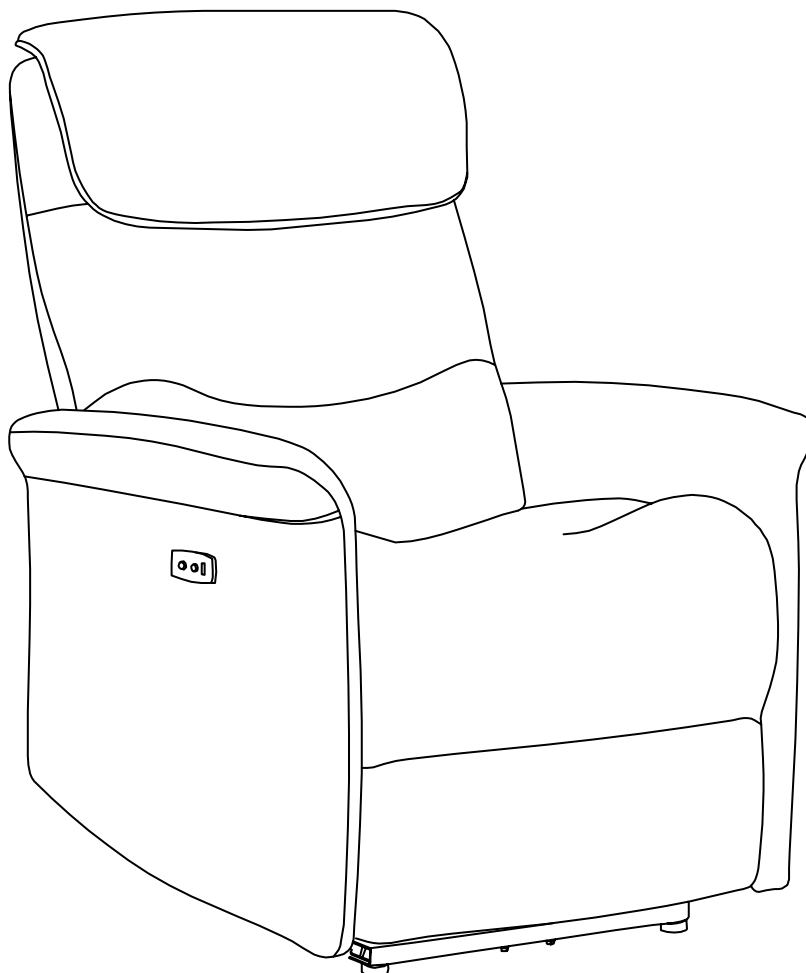
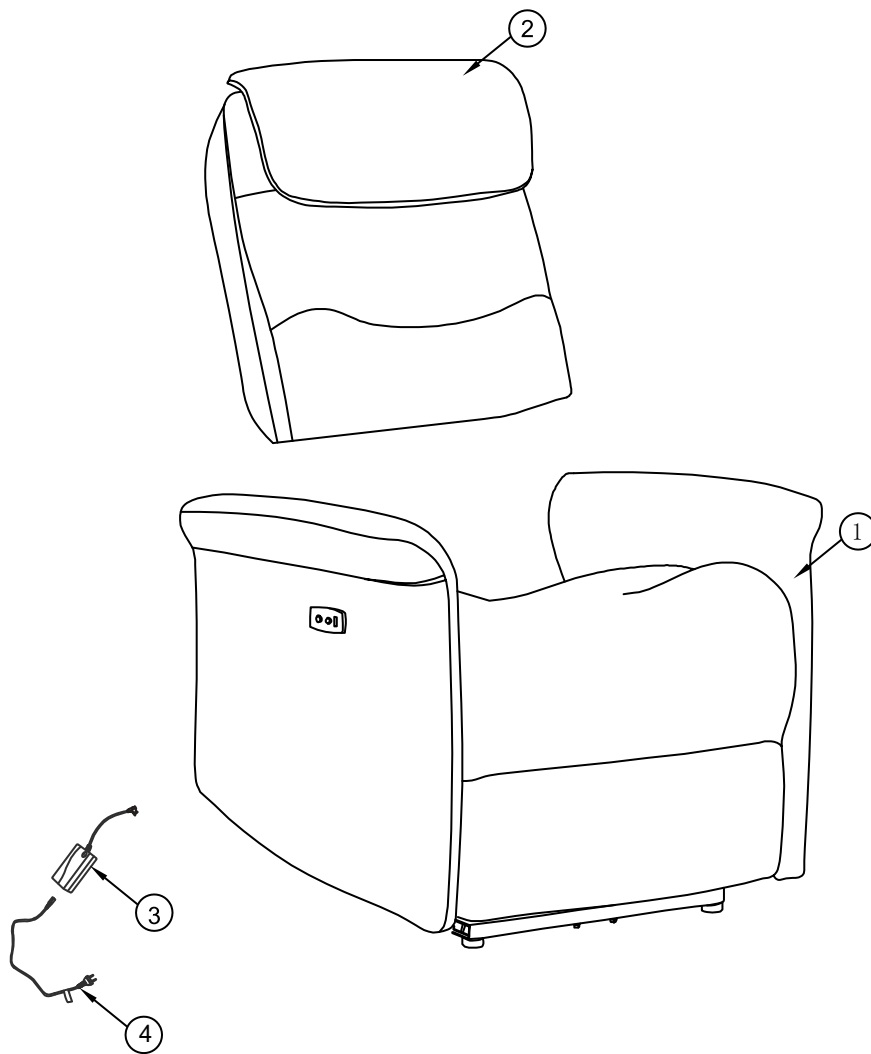


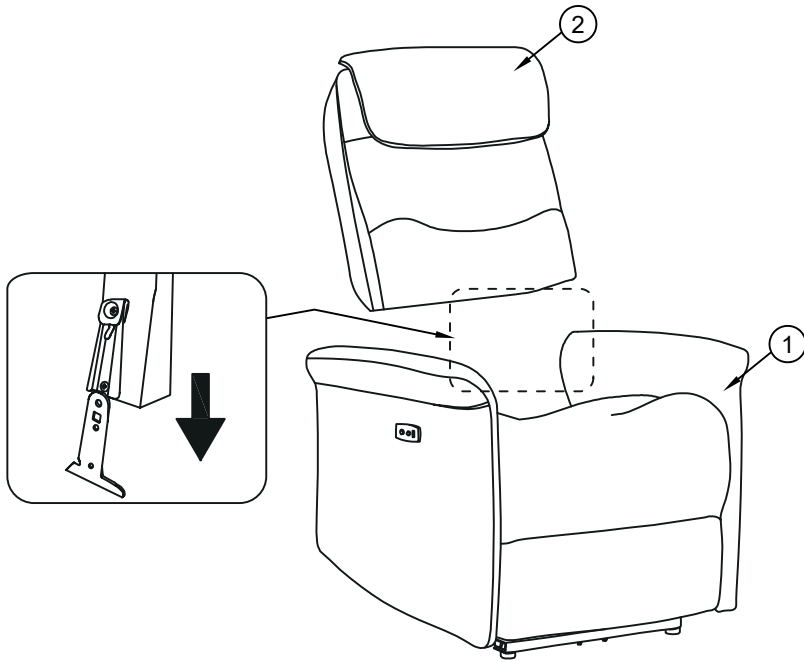
SANDERSON



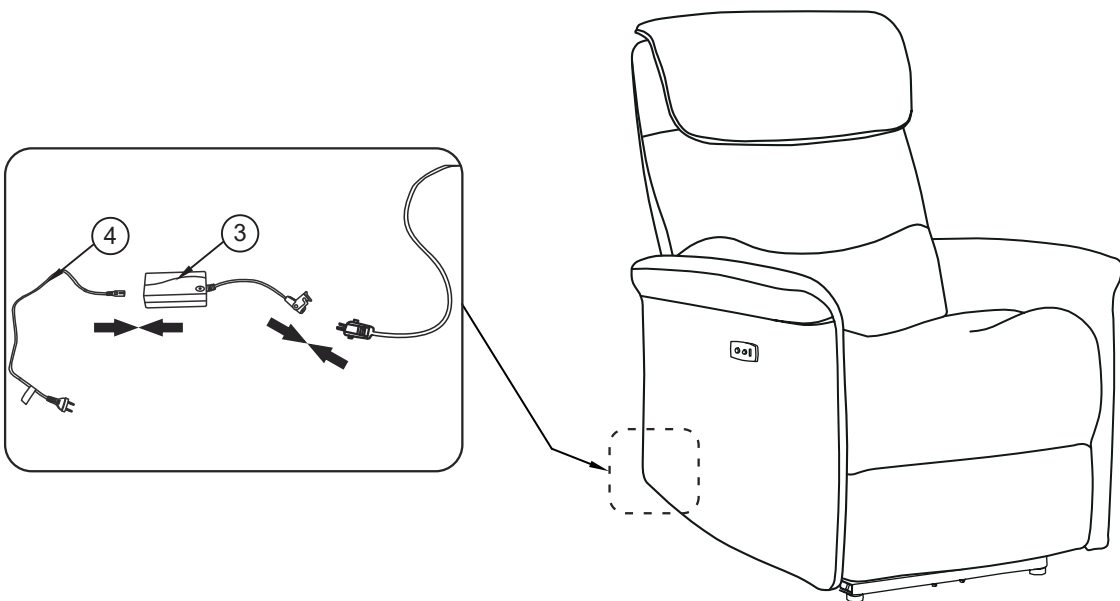
			✓
①	1	775x745x700	
②	1	650x300x780	
③	1	170x58x270	
④	1	1320	



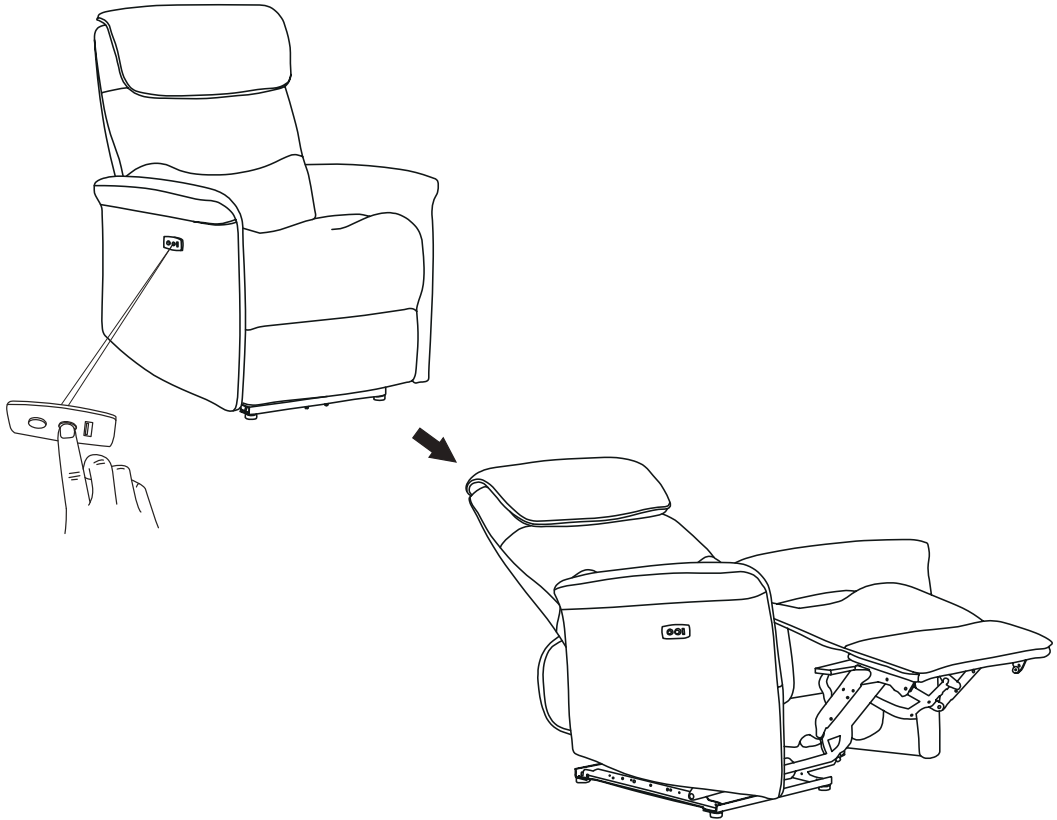
1



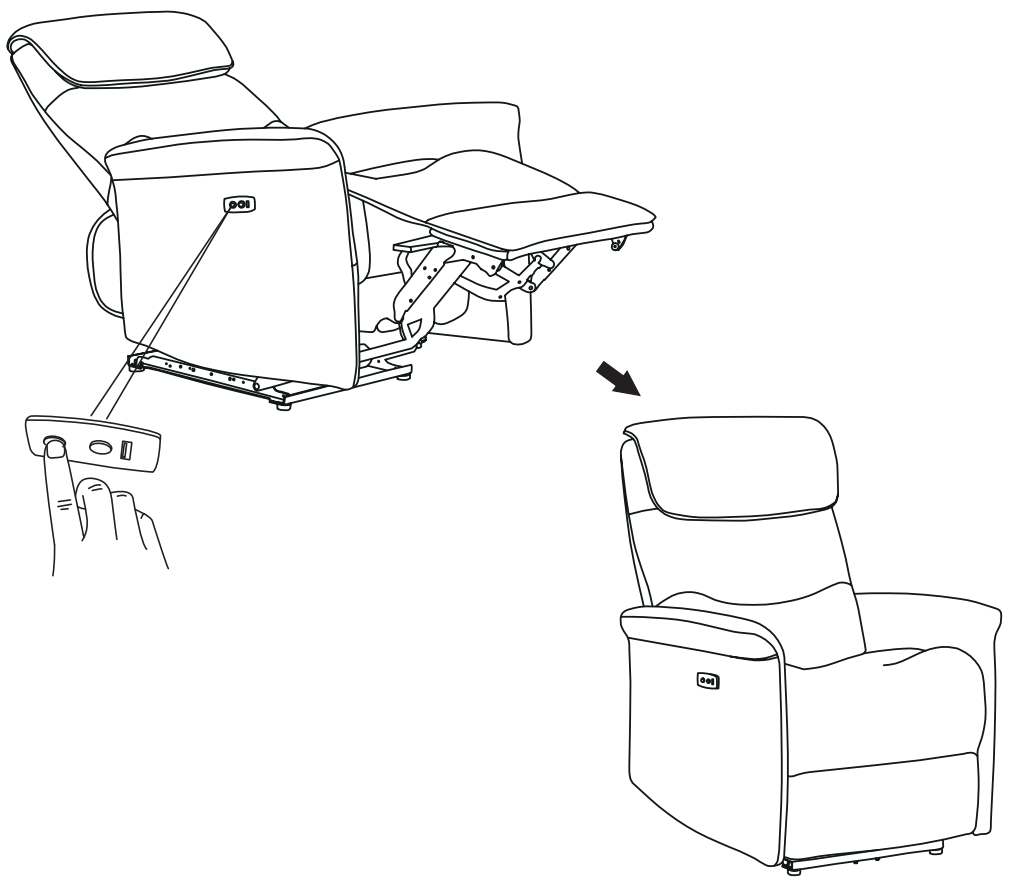
2



3



4



5

