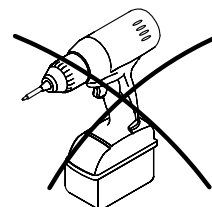
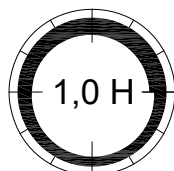
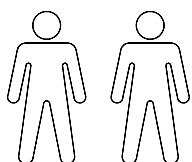
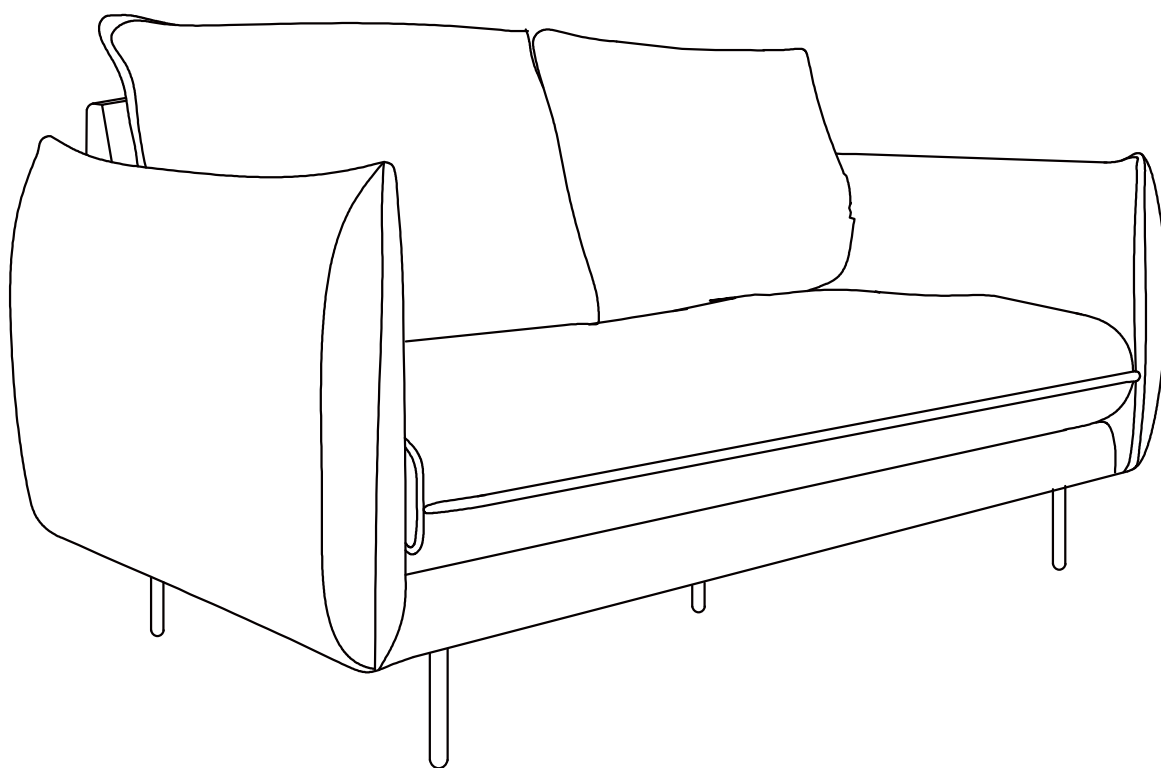
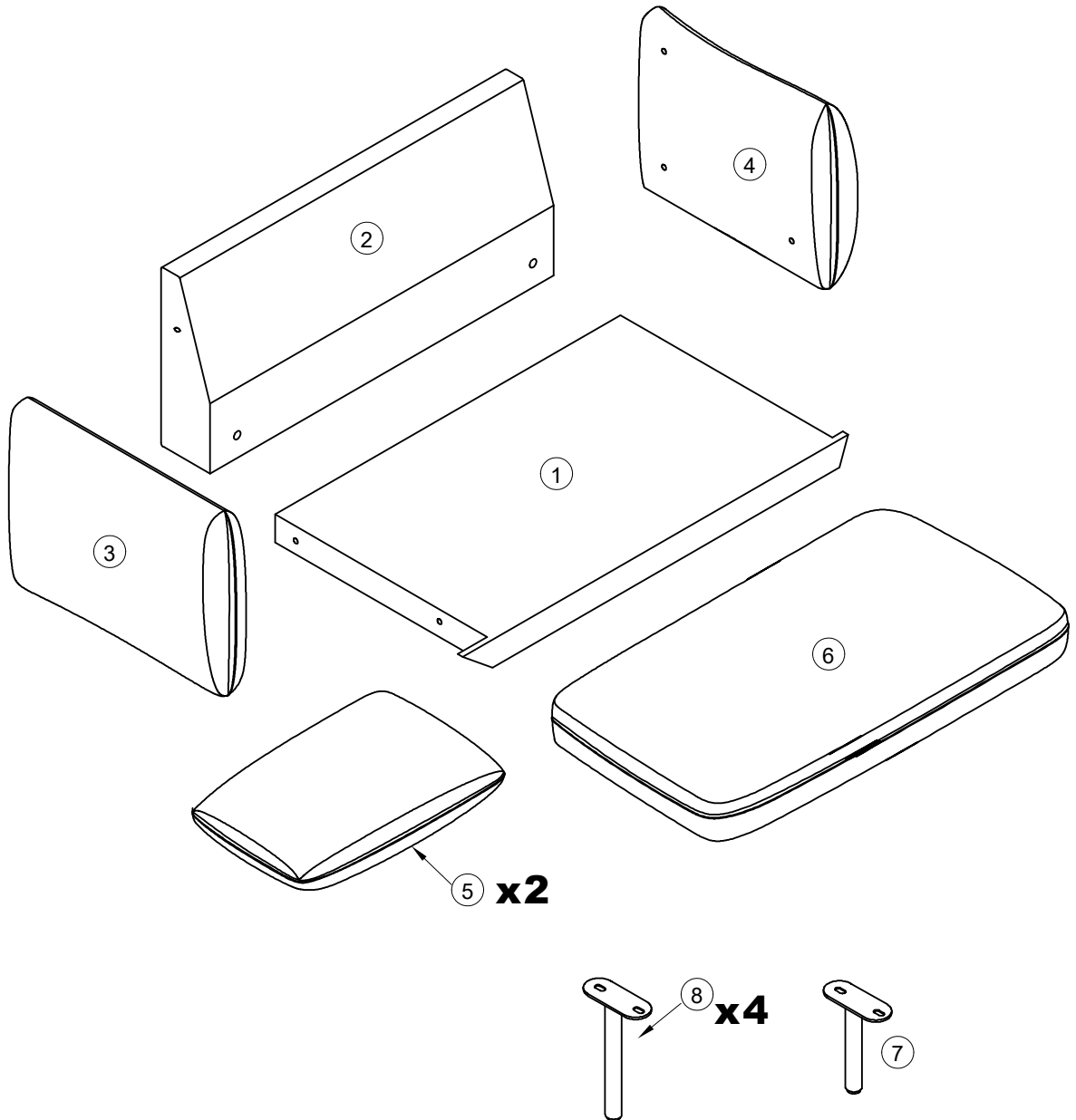


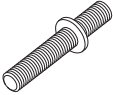
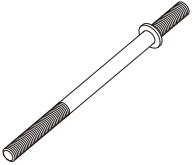
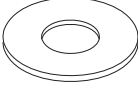
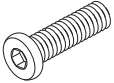


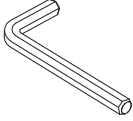
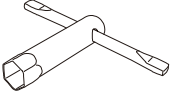
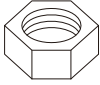
# MANHATTAN



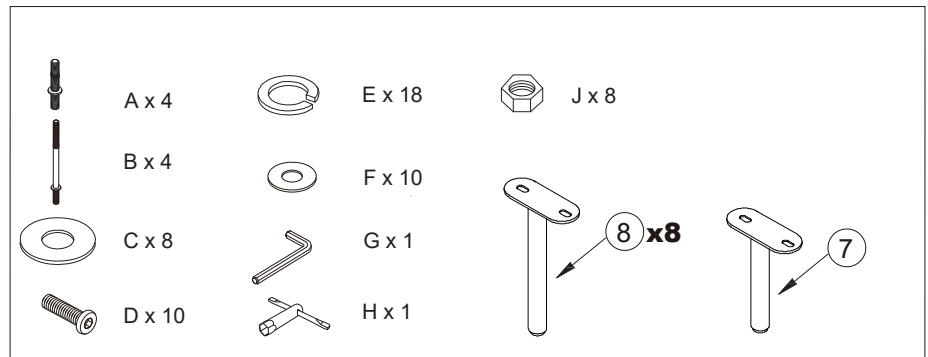
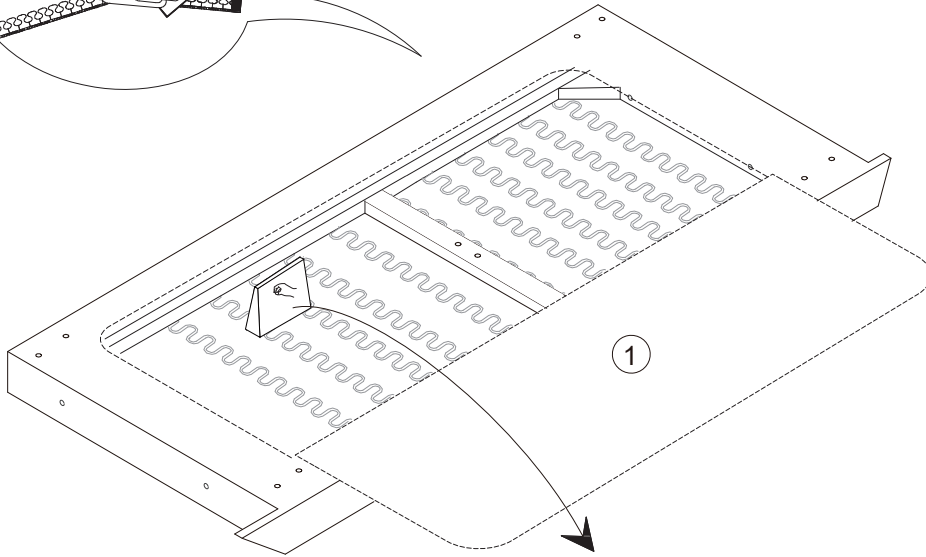
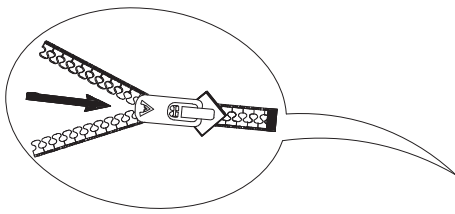
			✓
①	1	1650x680x95	
②	1	1565x230x605	
③	1	980x140x570	
④	1	980x140x570	

			✓
⑤	2	800x540x190	
⑥	1	1610x700x215	
⑦	1	119xØ50x160	
⑧	8	119xØ50x170	

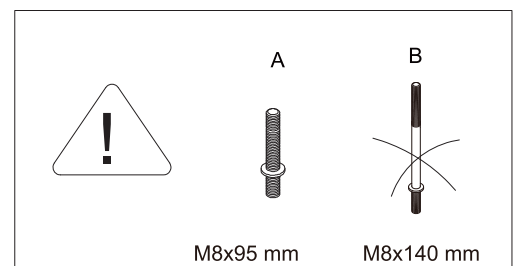
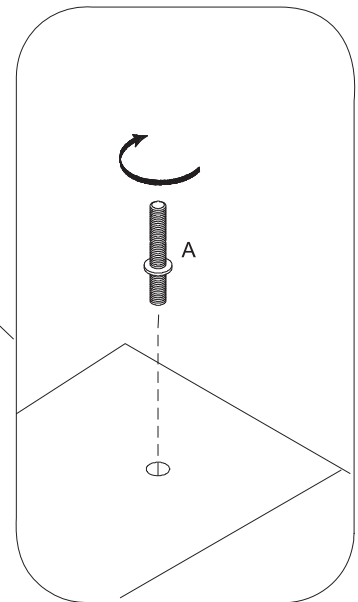
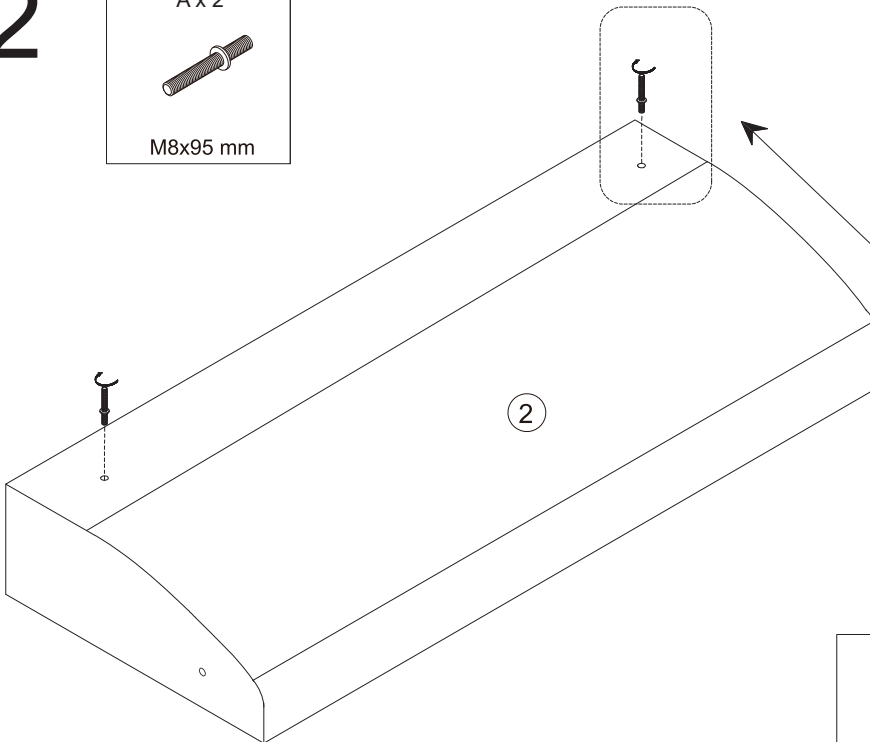
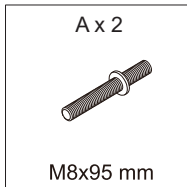


<p>A x 4</p>  <p>M8x95 mm</p>	<p>B x 4</p>  <p>M8x140 mm</p>	<p>C x 8</p>  <p>∅8/∅25 mm</p>	<p>D x 10</p>  <p>M8x25 mm</p>	<p>E x 18</p>  <p>∅8/∅13mm</p>
<p>F x 10</p>  <p>∅8/∅19 mm</p>	<p>G x 1</p>  <p>5 mm</p>	<p>H x 1</p>  <p>14 mm</p>	<p>J x 8</p>  <p>M8/14 mm</p>	

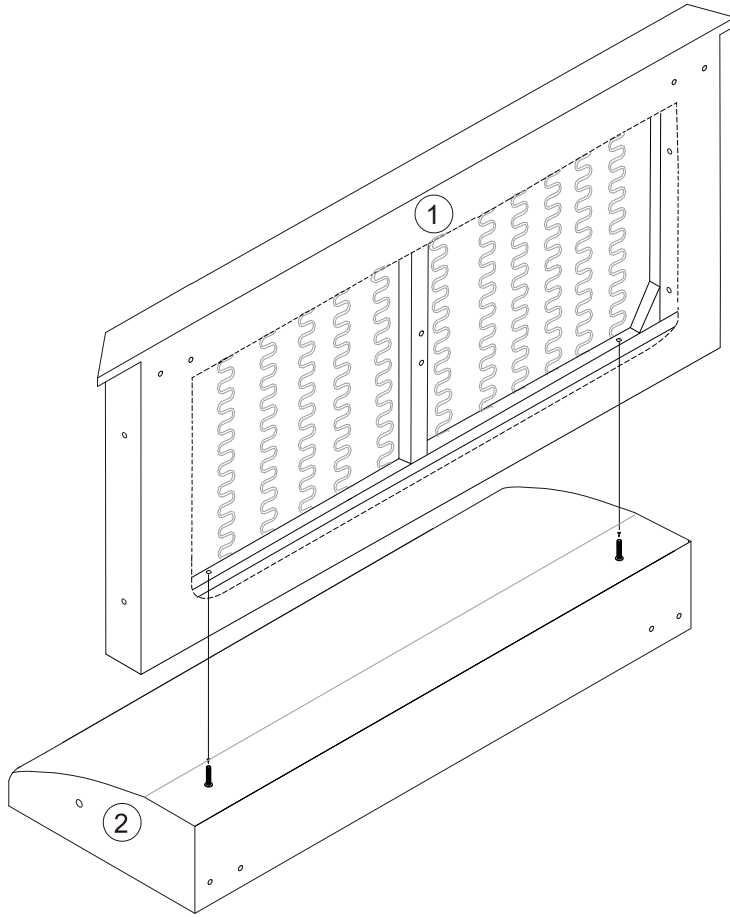
# 1





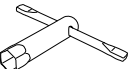
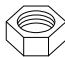
# 2

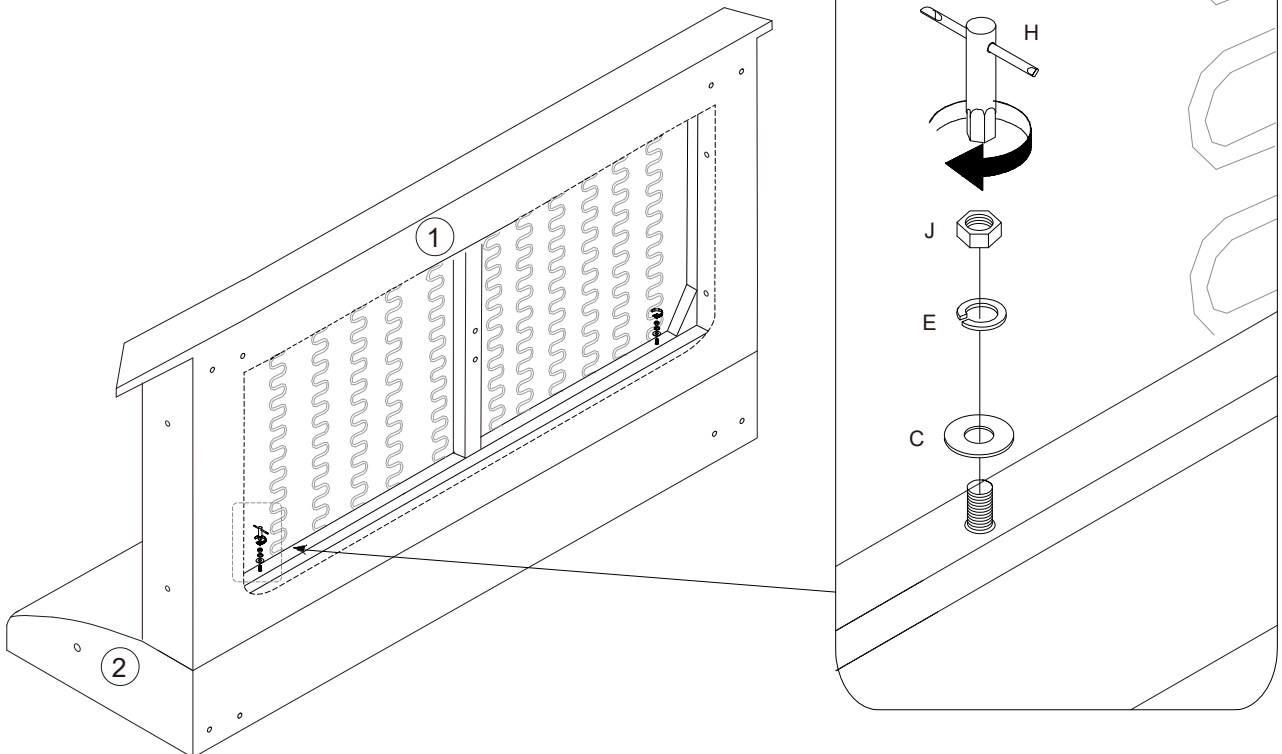


# 3

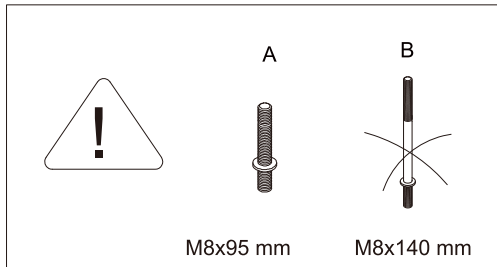
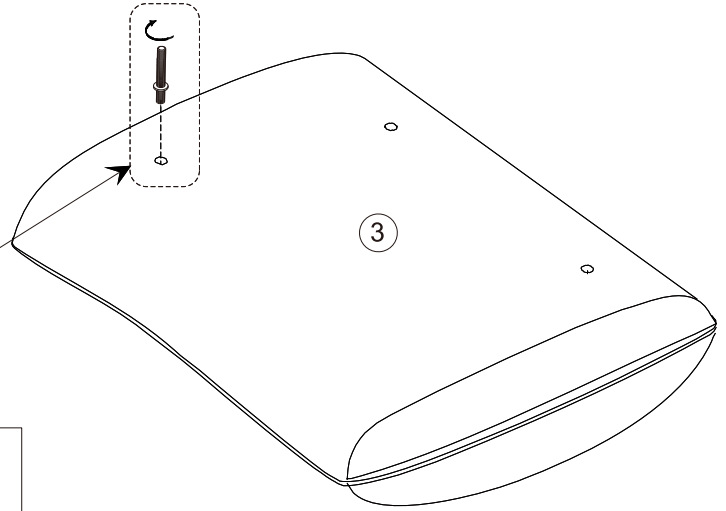
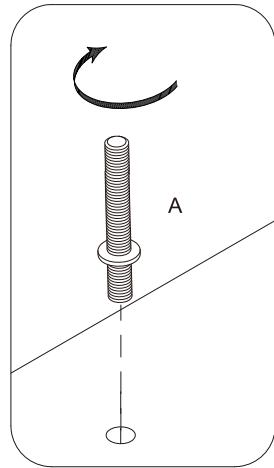
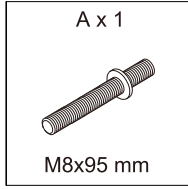


# 4

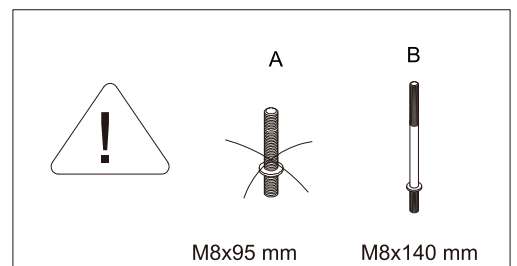
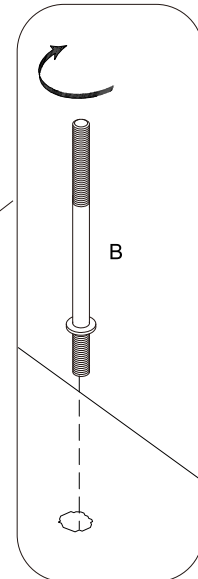
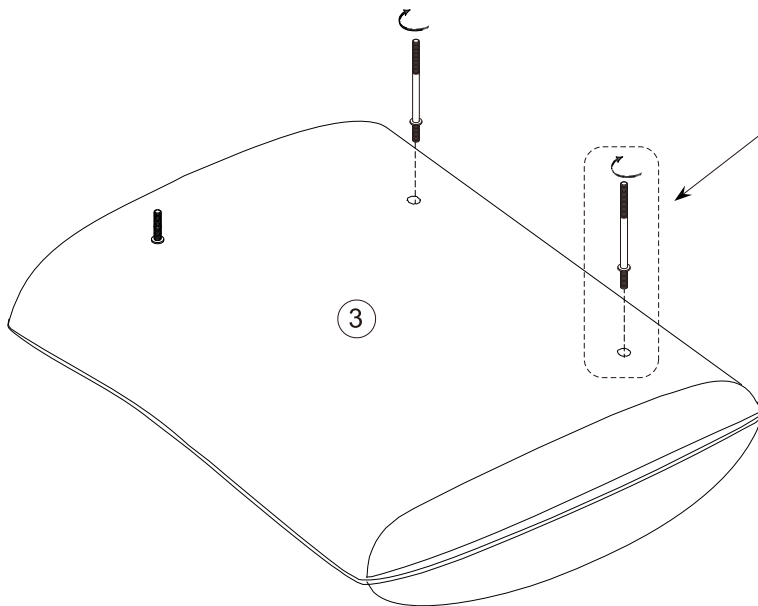
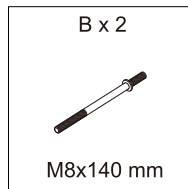
C x 2	E x 2	H x 1	J x 2
			
∅8/∅25 mm	∅8/∅13 mm	14 mm	M8/14 mm



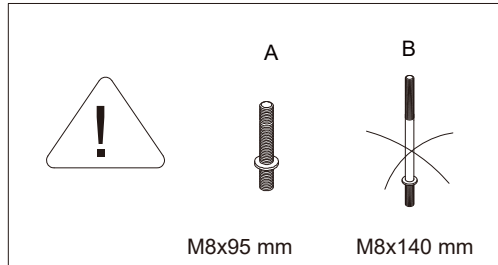
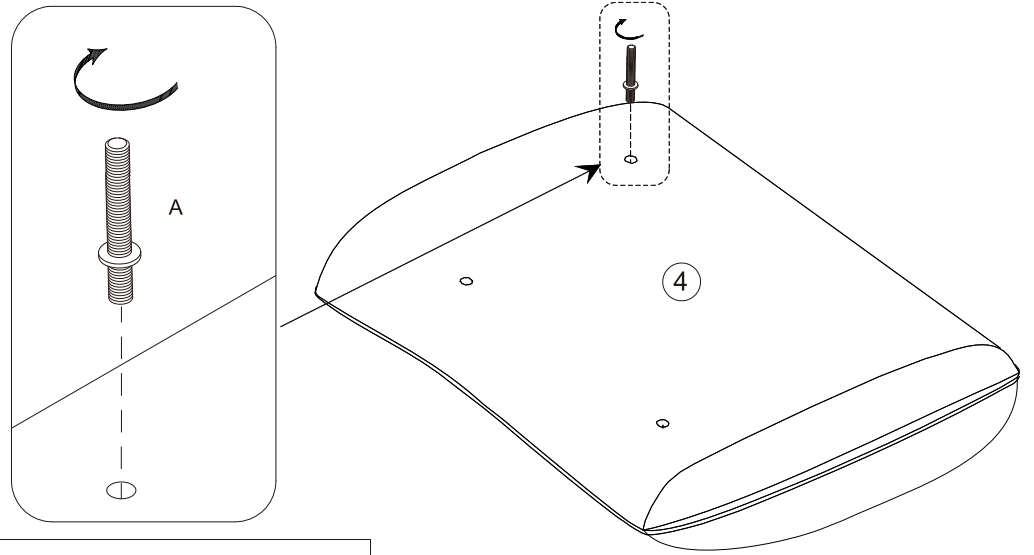
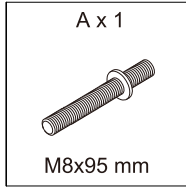
# 5



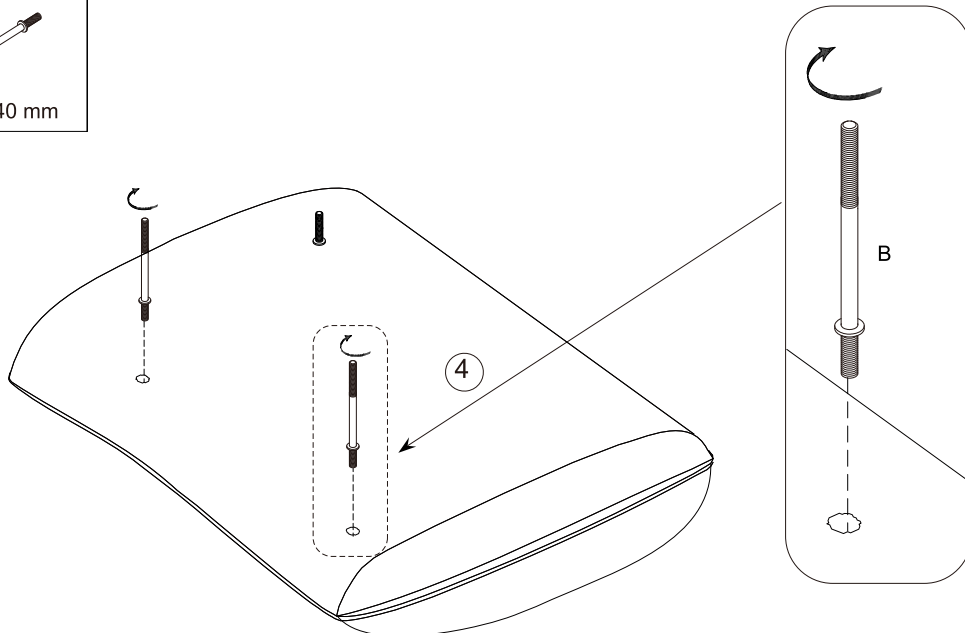
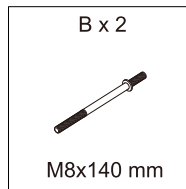
# 6



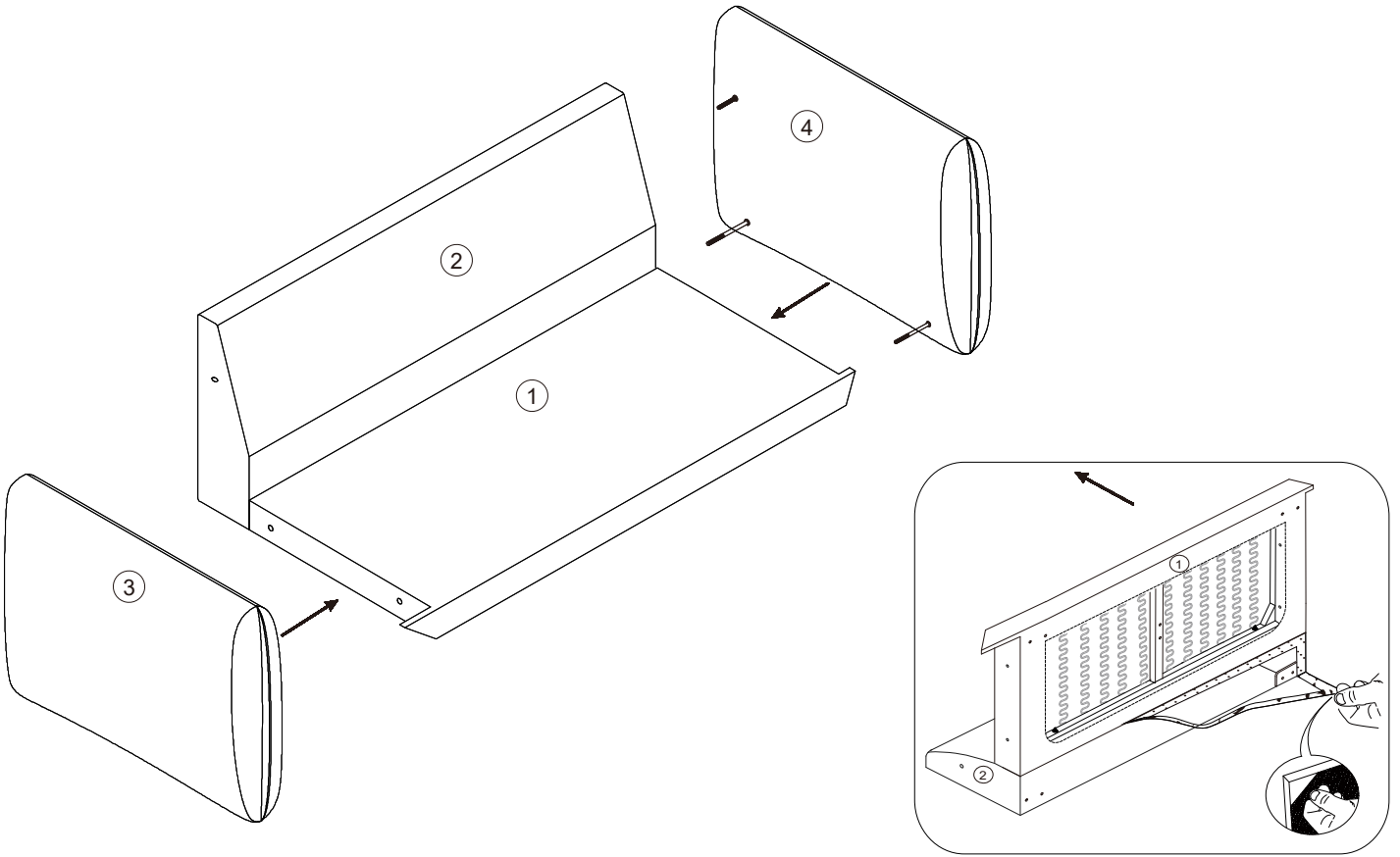
# 7



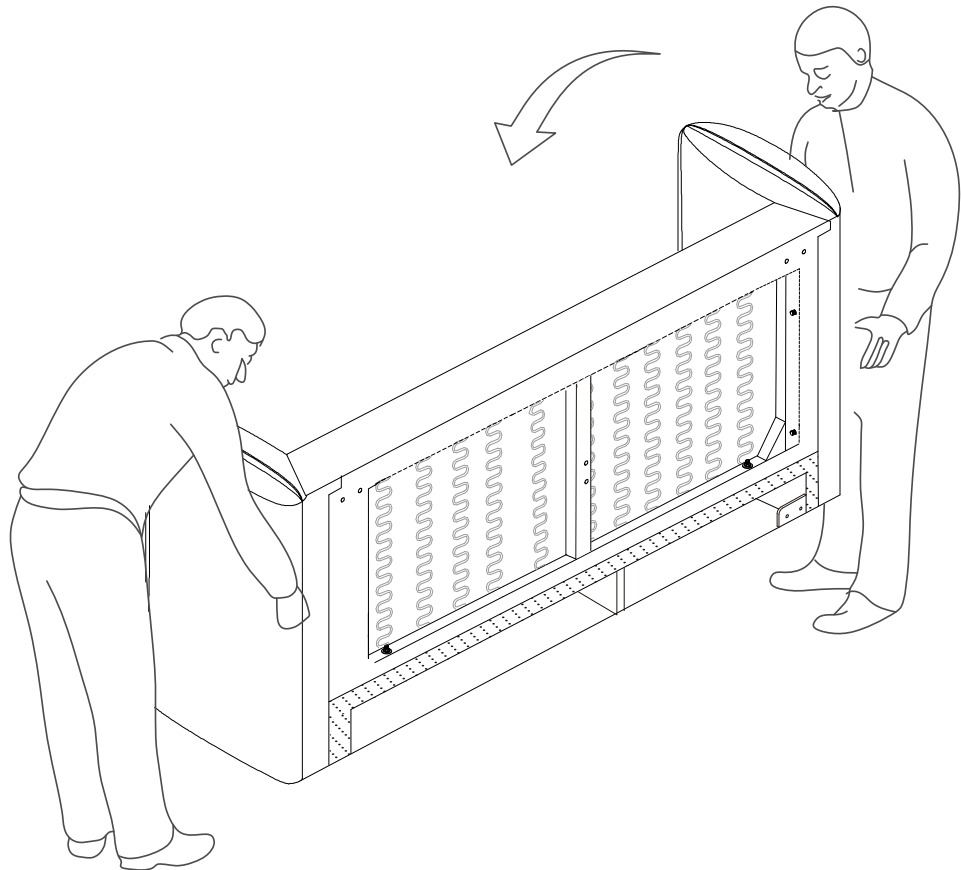
# 8



# 9



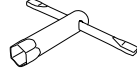
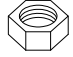


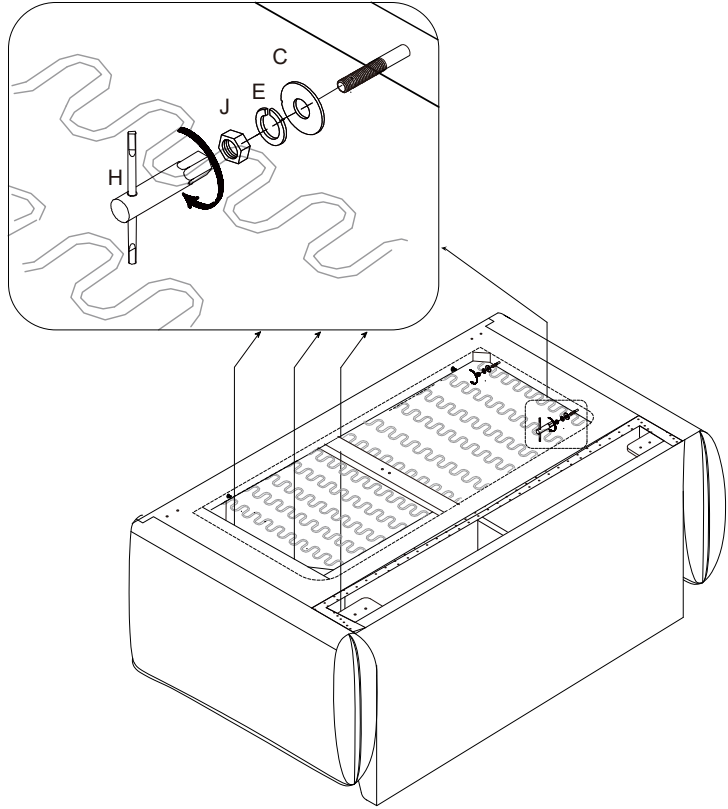
# 10



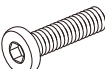





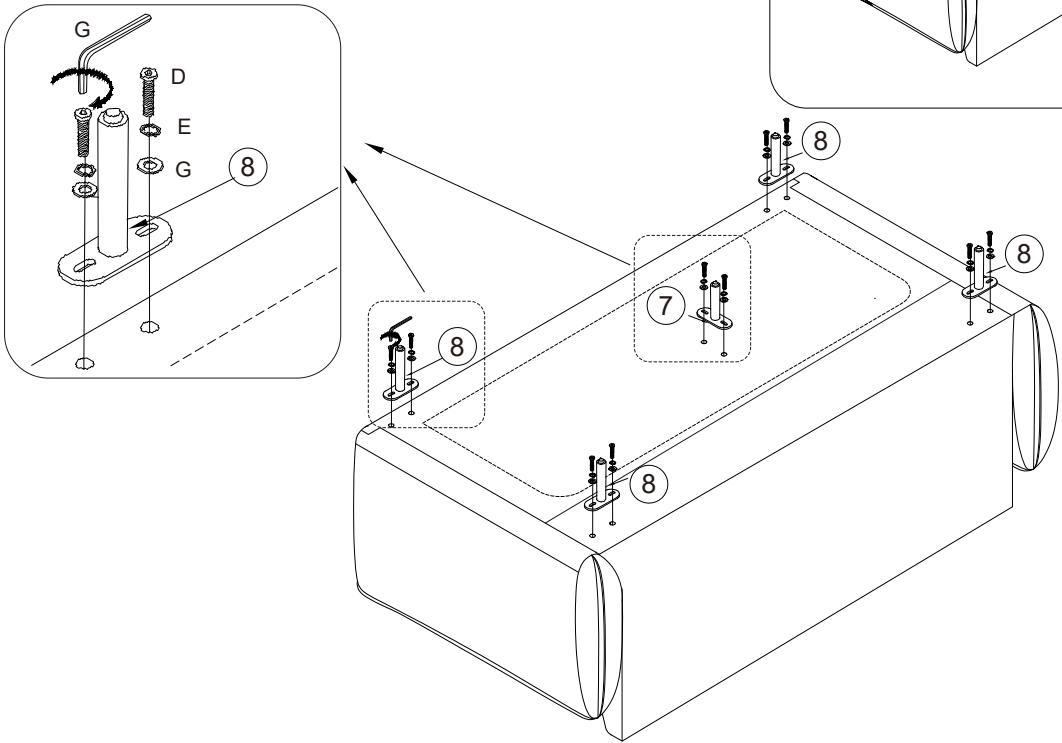
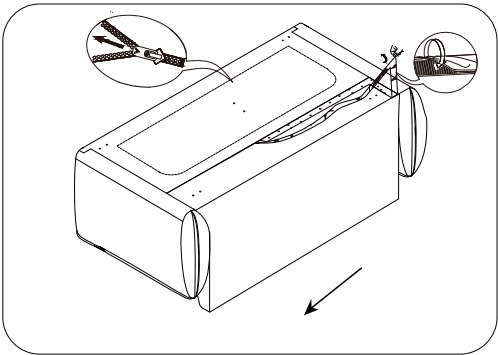
# 11

C x 6  Ø8/Ø25 mm	E x 6  Ø8/Ø13 mm	H x 1  14 mm	J x 6  M8/14 mm
---	---	---	--

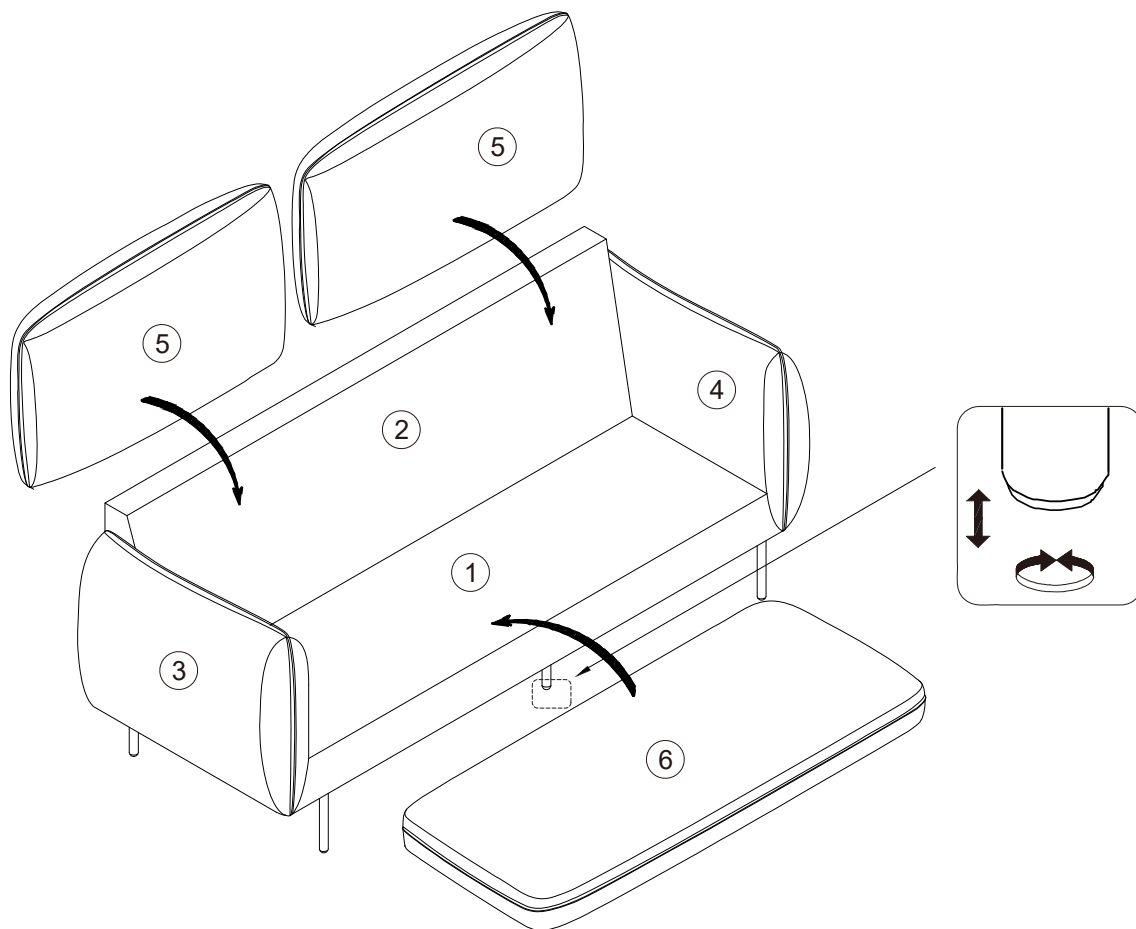


# 12

D x 10  M8x25 mm	E x 10  Ø8/Ø13 mm	F x 10  Ø8/Ø19 mm	G x 1  5 mm
---	--	--	--



# 13



# 14

